

Dell™ Latitude™ C/Dock II Expansion Station

System Information Guide

Guide d'information sur le système

Guia Informações do Sistema

Guía de información del sistema



Model PDX



www.dell.com | support.dell.com

Dell™ Latitude™ C/Dock II Expansion Station

System Information Guide



Notes, Notices, and Cautions



NOTE: A NOTE indicates important information that helps you make better use of your computer.



NOTICE: A NOTICE indicates either potential damage to hardware or loss of data and tells you how to avoid the problem.



CAUTION: A CAUTION indicates a potential for property damage, personal injury, or death.

Information in this document is subject to change without notice.

© 2001 Dell Computer Corporation. All rights reserved.

Reproduction in any manner whatsoever without the written permission of Dell Computer Corporation is strictly forbidden.

Trademarks used in this text: *Dell*, the *DELL* logo, *Latitude*, and *DellWare* are trademarks of Dell Computer Corporation; *3Com* is a trademark of 3Com Corporation; *Microsoft*, *Windows*, and *Windows NT* are registered trademarks of Microsoft Corporation.

Other trademarks and trade names may be used in this document to refer to either the entities claiming the marks and names or their products. Dell Computer Corporation disclaims any proprietary interest in trademarks and trade names other than its own.

This product incorporates copyright protection technology that is protected by method claims of certain U.S. patents and other intellectual property rights owned by Macrovision Corporation and other rights owners. Use of this copyright protection technology must be authorized by Macrovision Corporation, and is intended for home and other limited viewing uses only unless otherwise authorized by Macrovision Corporation. Reverse engineering or disassembly is prohibited.

System Information Guide

This document contains getting started, safety, regulatory, and warranty information about your Dell Latitude C/Dock II Expansion Station as well as information about other Dell documents that are available and how to obtain them.

Other Documents Available

- Documentation updates, which are sometimes included with your docking device to describe changes to your docking device or software. Always read these updates *before* consulting any other documentation because the updates often contain the latest information.
- Documentation included with any options you purchase separately from your docking device. This documentation includes information that you need to configure and install these options in your docking device.

Getting Help

Dell provides a number of tools to help you if your docking device does not perform as expected. For information on these help tools, see the “Getting Help” section in the computer’s *User’s Guide*.

Docking Device Overview

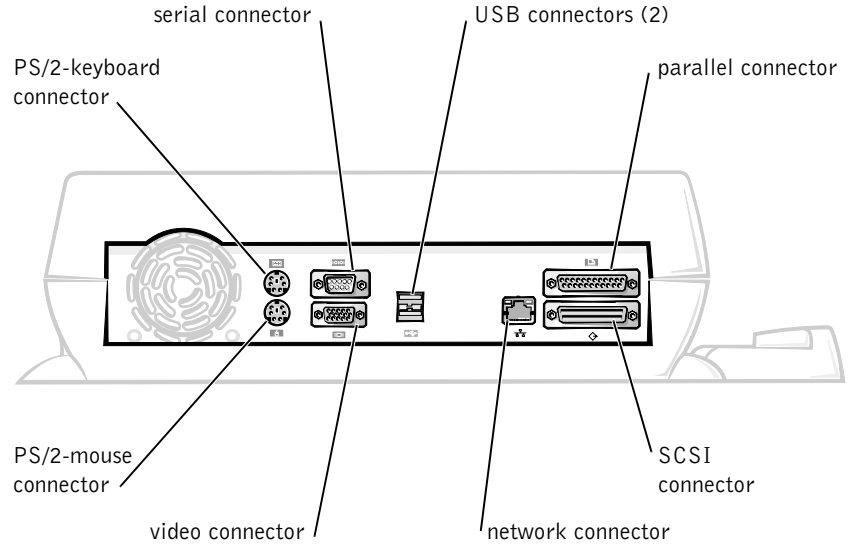


NOTE: Alert your network administrator before you connect the docking device to a network.

You must attach an AC adapter to the docking device before you dock the computer to the docking device and turn on the computer. The AC adapter powers the docking device and the computer at the same time. Any battery installed in the computer charges while you use the docking device.





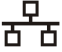



NOTICE: Always use the Dell PA-6 AC adapter that came with the docking device. If you use any other commercially available AC adapter—or the AC adapter from older models of Dell computers—you may damage the docking device or the computer.

I/O Panel of the Docking Device

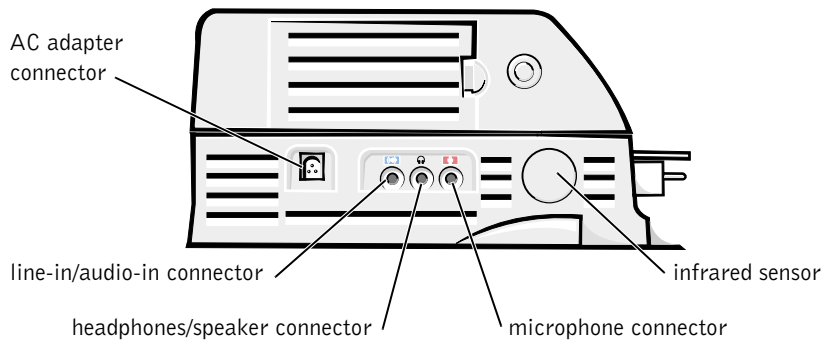


The “External I/O Connectors” table shows the icons for each of the connectors on the back of the docking device and indicates the type of external device(s) that you can attach to each connector.

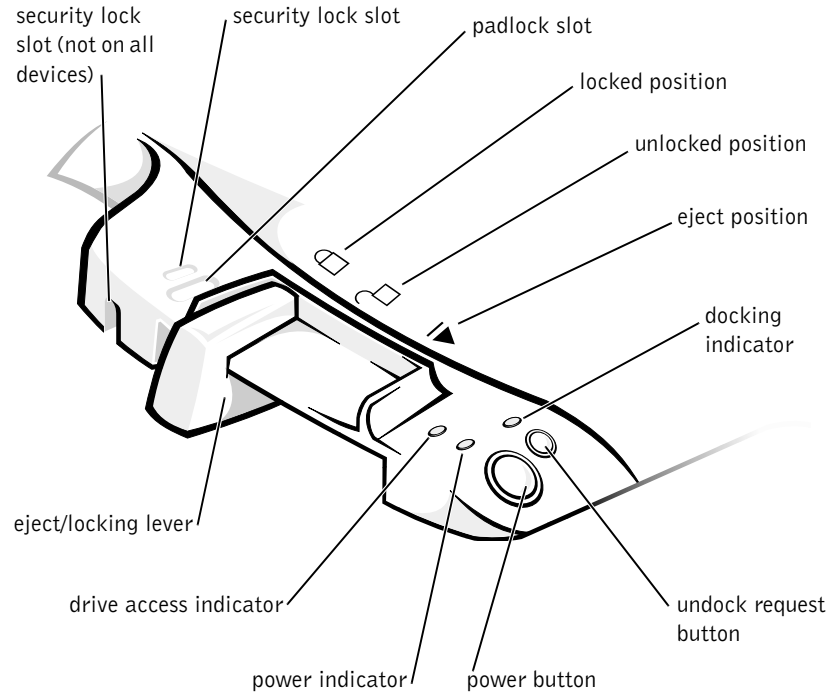
External I/O Connectors

Connector Icon	Connector Description
	One or two USB devices, such as a USB mouse, connect to the dual USB connector.
	An external PS/2-style keyboard or external numeric keypad connects to the PS/2 keyboard connector.
	An external PS/2-compatible mouse connects to the PS/2 mouse connector.
	A serial device, such as a serial mouse or external modem, connects to the serial port connector.
	A network interface cable connects to the NIC connector.
	A parallel device, such as a printer, connects to the parallel port connector.
	An external monitor connects to the video connector.
	The AC adapter that came with the docking device connects to the AC adapter connector.

Audio Connectors and Infrared Sensor



Docking Control Base Controls and Indicators

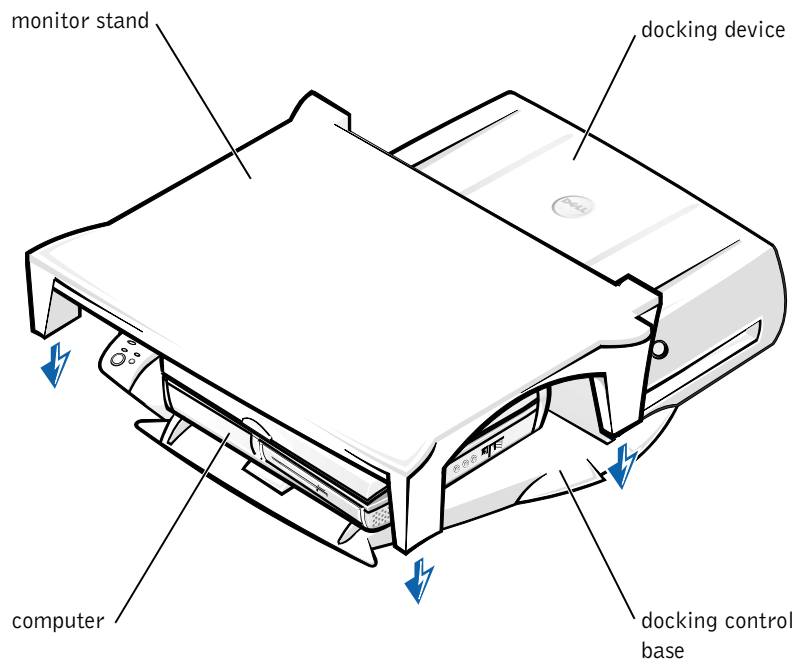


Monitor Stand



NOTICE: The stand supports monitors that weigh up to 45.3 kilograms (kg) (100 pounds [lb]). Heavier monitors may damage the stand, computer, and docking device.

Docking Device With the Monitor Stand



NOTE: Be sure that the back legs on the monitor stand engage the slots on either side of the docking control base.

Before Docking the Computer

If your computer is running the Microsoft® Windows® 9x, Windows NT®, or Windows Millennium (Me) operating system, you must first check your computer for existing docking drivers. If your computer does not have the docking drivers, install them before you dock the computer for the first time. To install the docking drivers, perform the steps in “Installing the Docking Drivers.”



NOTE: If your computer is running the Windows XP or Windows 2000 operating system, the drivers are installed automatically and you do not need to perform the steps in “Installing the Docking Drivers.” Go to “Docking Your Computer.”

Check Your Computer for Existing Docking Drivers

- 1 Double-click **My Computer**.
- 2 Double-click **Control Panel**.
- 3 Double-click **Add/Remove Programs**.
- 4 Locate the correct docking drivers from the list of programs.

*For Windows 9x and Windows Me, check for the driver with **Quick Install** in the name. For example: Dell Dock Quick Install for Windows.*

*For Windows NT, check for **NT Softex Docking Services**.*

If your computer does not have the docking drivers, go to the next section, “Installing the Docking Drivers.” If your computer has the docking drivers, go to “Docking Your Computer.”

Installing the Docking Drivers

You can install your docking drivers in one of the following ways:

- Install the drivers from the *ResourceCD* or *Drivers and Utilities CD* that came with your computer or docking device.
- Download the drivers from the Dell support website.

Installing the Docking Drivers From the *ResourceCD* or *Drivers and Utilities CD*

- 1 Insert the *ResourceCD* or *Drivers and Utilities CD* into the CD drive.

In most cases, the CD should start running automatically. If it does not, start Windows Explorer, click your CD drive directory to display the CD contents, and then double-click the **autoexec** application file. If a welcome screen appears, click **Next**. The first time that you run the CD, it might prompt you to install some setup files. Click **OK** and follow the instructions on the screen to continue.

- 2 From the **Language** pull-down menu on the toolbar, select your preferred language for the driver (if available).

A welcome screen appears.

- 3 Click **Next**.

- 4 Under **Search Criteria**, select the appropriate categories from the **System Model** and **Operating System** pull-down menus.

If your system is running Windows 9x or Windows Me, select System Utilities from the **Device Type** pull-down menu, and then select **Drivers** from the **Topic** pull-down menu.

If your system is running Windows NT, select System Utilities from the **Device Type** pull-down menu, and then select **Utilities** from the **Topic** pull-down menu.


A link or links appear(s) for the specific drivers or utilities used by your computer.

- 5 *If your system is running Windows 9x or Windows Me*, click the link for the **Dell Dock QuickInstall** utility.

The **Dell Dock QuickInstall** file is a utility that installs the required docking drivers on your computer.

If your computer is running Windows NT, click the link for **Softex Docking Services**.

- 6 Click the **Install** button to start the automatic installation. At the welcome screen, follow the screen prompts to complete the installation.

 **NOTE:** Some ResourceCDs may require users to navigate through folders to obtain the correct driver. For complete instructions on reinstalling drivers, see your *User's Guide*.

Installing the Docking Drivers From the Dell Support Website

- 1 Go to the Dell support website at <http://support.dell.com>. If you are visiting the website for the first time, specify your country by clicking the map that appears.

The **Welcome to support.dell.com** page opens.

- 2 Enter your docking device information, and then click **Go!**

Click **Downloads For Your Dell**.

The **Downloads For Your Dell** window appears, including a short form for you to fill out.

- 3 Enter your system service tag number, or select your Dell system.
- 4 Select your operating system and operating system language.
- 5 Select **System and Configuration Utilities** as your download category.
- 6 Click **Go!**.
- 7 *If your computer is running Windows 9x or Windows Me*, locate and click the link for the **Dell Dock QuickInstall** utility.

If your computer is running Windows NT, locate and click the link for **Softex Docking Services**.

- 8 Follow the instructions on the screen to download and install the required drivers.

After you download the files and before you install the drivers, make sure to view the **readme.txt** file that is included in the downloaded files for important information about the installation.

Docking Your Computer

If you attach a monitor to the docking device and turn the monitor on, the screen image appears on the monitor. To switch the image to the computer display, or to both the monitor and the computer display, press <Fn><F8>.

When you dock the computer to the docking device and turn the computer on, the green power light on the docking control base lights up (see “Docking Control Base Controls and Indicators”).

➔ **NOTICE:** To avoid losing data, save any open files before you dock the computer.

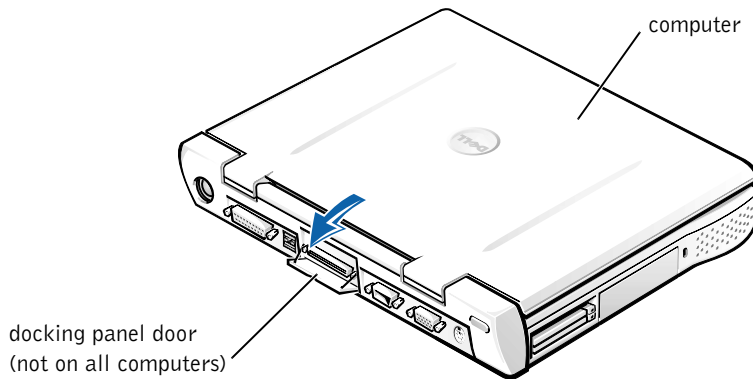
➔ **NOTICE:** If a Peripheral Component Interconnect (PCI) video card is installed in the docking device, shut down the computer before docking or undocking to avoid losing data.

- 1 Save all files, close and exit all application programs, exit the operating system, and turn off the computer.

➔ **NOTICE:** To avoid damaging the docking connector, open the docking panel door before you attempt to dock the computer to the docking device.

- 2 If the computer has a docking panel door, open the docking panel door on the back of the computer.

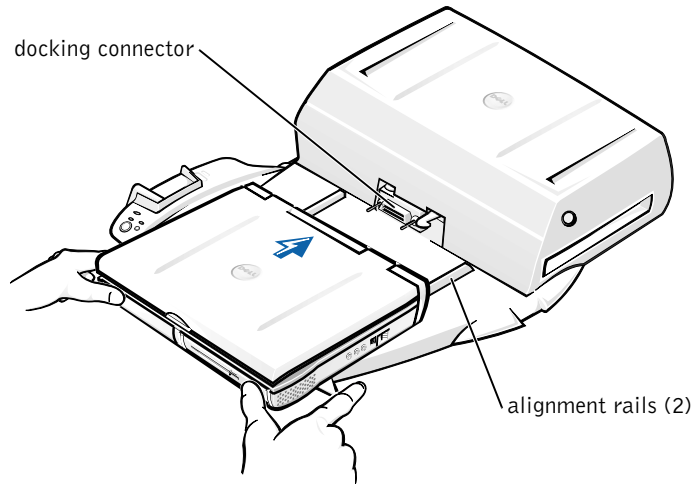
Docking Panel Door on the Computer



- 3 If you are using the docking device with a monitor stand, close the computer display.
- 4 Ensure that the eject/locking lever is in the unlocked position.

- 5 Dock the computer to the docking device as follows:

Docking the Computer



- a Horizontally center the computer on the docking device platform, with the back of the computer facing the docking device docking connector, as shown in “Docking the Computer.”
- b Slide the computer toward the connector until you feel the grooves on the bottom of the computer engage with the alignment rails.

➔ NOTICE: If you attempt to push the computer all the way into the docking device without engaging the alignment rails, you may irreparably damage the docking connector on the computer.

➔ NOTICE: Do not pick up the computer or the docking device separately when they are connected because you may damage the connectors on the computer and the docking device.

➔ NOTICE: If you are using a monitor with the monitor stand, remove the monitor from the stand before moving the docking control base into place.


- c Gently push the computer forward until the docking connector is fully engaged.


Docking for the First Time With Windows XP and Windows 2000

- 1 Dock and turn on your computer.
- 2 Press <F2> during the system boot routine to view the system setup program.
- 3 Set **Docking IRQ** to **Optimized**.
- 4 Set **Universal Connect** to **Enabled**.
- 5 Exit the system setup program.

Your system will continue the boot process.

In Windows 2000, the **Add New Hardware Wizard** appears.

 **NOTE:** *In Windows XP*, the operating system automatically installs the drivers in the background. *In Windows 2000*, the Add New Hardware Wizard automatically installs your drivers.

 **NOTE:** In Windows XP and Windows 2000, to reinstall drivers or ensure the best drivers are installed, see "Updating Drivers in Windows XP, Windows 2000, or Windows Me" later in this document.

Docking for the First Time With Windows Me

- 1 Dock and turn on your computer.
- 2 Press <F2> during the system boot routine to view the system setup program.
- 3 Set **Docking IRQ** to **Optimized**.
- 4 Set **Universal Connect** to **Enabled**.
- 5 Exit the system setup program.

Your system will continue the boot process.

The **Add New Hardware Wizard** appears.

- 6 Select **Search for the Best Driver for Your Device (Recommended)** and click **Next**.
- 7 Click **Next**.
- 8 Follow the prompts on the **Add New Hardware Wizard**.
- 9 Whenever prompted, select **Search for the Best Driver for Your Device (Recommended)** and click **Next**.

- 10 Continue to follow the prompts to complete the installation.
The Windows desktop appears and the installation is complete.

Docking for the First Time With Windows NT 4.0

- 1 Dock and turn on your computer.
- 2 Either press <F2> during the system boot routine, or press <Fn><F1> after your computer boots to view the system setup program.
- 3 Set **Docking IRQ** to **Optimized**.
- 4 Set **Universal Connect** to **Enabled**.
- 5 Exit the system setup program.
- 6 Press <Ctrl><Alt> to log on.
Docking Station Setup window appears and indicates that the computer must be undocked to continue.
- 7 Click **OK** and wait for the computer to turn off.
- 8 Undock the computer (see “Undocking the Computer”).
The computer restarts automatically. If it does not, turn on the computer.
- 9 Select **OK** at the **Device Removal** window.
- 10 Click **Start** and select **Shut Down**.
- 11 Wait for the computer to turn off completely and redock the computer to the docking device.
The computer restarts automatically. If it does not, turn on the computer.
- 12 Press <Ctrl><Alt> to log on.
The computer automatically detects new devices.
- 13 When prompted, select **Install System Provided Driver for the Selected Device (Recommended)** and click **OK**.
- 14 Click **Continue** at the **Windows NT Setup** window.
- 15 Select **Install System Provided Driver for the Selected Device (Recommended)** and click **OK**.

- 16 Select the name of your network interface controller (NIC) from the drop-down menu.
- 17 Select whether the network adapter should obtain an IP address from a server, or whether an IP address is specified.

If you do not know what to select, see your system administrator.

- 18 Follow the prompts to complete the installation.

The Windows desktop appears and the installation is complete.

The computer cannot enter suspend-to-disk mode while docked.

Docking for the First Time With Windows 98

- 1 Dock and turn on your computer.
- 2 Either press <F2> during the system boot routine, or press <Fn><F1> after your computer boots to view the system setup program.
- 3 Set **Docking IRQ** to **Optimized**.
- 4 Set **Universal Connect** to **Enabled**.
- 5 Exit the system setup program.
- 6 If the **Configuration Setup** window appears, click **OK**.

The **Add New Hardware Wizard** appears.

- 7 Click **Next**.
- 8 Select **Search for the Best Driver for Your Device (Recommended)** and click **Next**.
- 9 Remove the check-mark next to each option and click **Next**.

A window appears, indicating that Windows is ready to detect the best driver for your device.

- 10 Follow the prompts on the **Add New Hardware Wizard**.
- 11 Whenever prompted, select **Search for the Best Driver for Your Device (Recommended)** and click **Next**.
- 12 Continue to follow the prompts to complete the installation.

The Windows desktop appears and the installation is complete.

Docking for the First Time With Windows 95

- 1 Dock and turn on your computer.
- 2 Either press <F2> during the system boot routine, or press <Fn><F1> after your computer boots to view the system setup program.
- 3 Set **Docking IRQ** to **Optimized**.
- 4 Set **Universal Connect** to **Enabled**.
- 5 Exit the system setup program.

The computer automatically detects new hardware.

- 6 Click **Yes** at the **System Settings Change** window.
The computer restarts and automatically detects new hardware.
- 7 If the **Configuration Setup** window appears, click **OK**.
- 8 Click **OK** at the **Network** window.
- 9 Select the **Identification** tab at the next **Network** window.
- 10 Enter a **Computer Name** and **Workgroup** that will identify your computer on the network, and click **Close**.

If you are unsure what **Computer Name** and **Workgroup** to enter, check with your system administrator.



NOTE: You must enter a **Computer Name** and **Workgroup** to proceed with the driver installation.

The computer automatically copies files and builds a driver information database.

- 11 Click **Yes** at the **System Settings Change** window.


The computer restarts.

An **Enter Network Password** window appears. If you do not wish to set a username and password at this point, or if you have not yet been provided one for use by your system administrator, click **Cancel**.

The computer automatically detects new hardware.

- 12 Click **OK** at the **Configuration Setup** window.

The Windows desktop appears and the installation is complete.

 **NOTE:** To use the USB connectors, you must install the USB supplement from your *ResourceCD* in the `Win95\OSUpdate` directory. If you install the USB supplement, your computer cannot enter suspend mode. Dell recommends that you do not install the USB supplement unless you intend to use USB devices.

Updating Drivers in Windows XP and Windows 2000

To update drivers in Windows XP and Windows 2000:

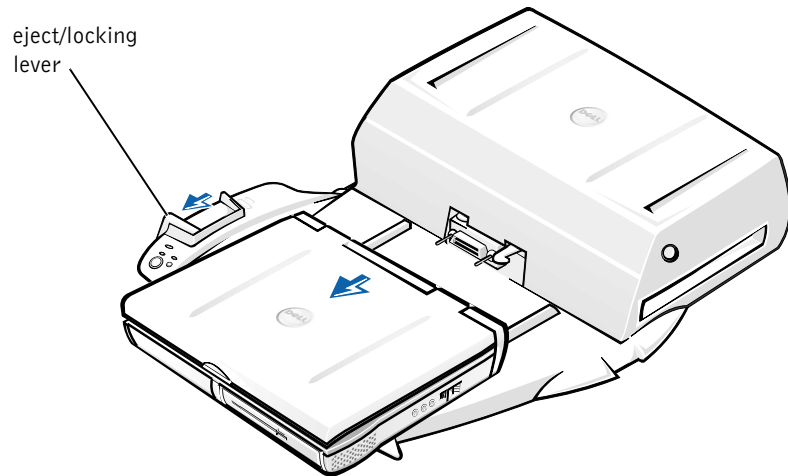
- 1 Right-click **My Computer** and click **Manage**. (*In Windows XP*, click the **Start** button to access **My Computer**. *In Windows 2000*, **My Computer** is located on the Windows desktop.)
- 2 In the **Computer Management** window, click **Device Manager**, and double-click **Network adapters**.
- 3 Double-click **3Com 3C920 Integrated Fast Ethernet Controller**.
- 4 Click the **Driver** tab.
- 5 Click **Update Driver...** and follow the prompts.

Updating Drivers in Windows Me

To update drivers in Windows Me:

- 1 Right-click **My Computer** on the desktop and click **Properties**.
- 2 In the **System Properties** window, click the **Device Manager** tab, and double-click **Network adapters**.
- 3 Double-click **3Com 3C920 Integrated Fast Ethernet Controller**.
- 4 Click the **Driver** tab.
- 5 Click **Update Driver...** and follow the prompts.

Undocking the Computer



- ➔ **NOTICE:** If the computer does not have power from a battery, the computer turns off when you undock it, and you will lose all unsaved data.
- ➔ **NOTICE:** Never undock the computer without first preparing the computer. If you undock before preparing the computer, you will lose data and the computer may not recover normal operation for several minutes, if at all.

To prepare the computer for undocking, perform one of the following:

- Press <Fn><Esc> on the computer's keyboard (or <Scroll Lock><Esc> on an external keyboard).

Wait a few seconds for the power light on the computer to turn off.

- *In Windows XP*, click the **Start** button, and then click **Undock Computer**.

In Windows 95, Windows 98, Windows Me, or Windows 2000, click the **Start** button, and then click **Eject PC**.


In Windows NT, click the docking icon on the taskbar, and then click **Undock** to place the computer in suspend mode.

Wait a few seconds for the power light on the computer to turn off.

- Press the undock request button on the docking control base (see the figure “Docking Control Base Controls and Indicators”). Wait for the green docking light to turn off.

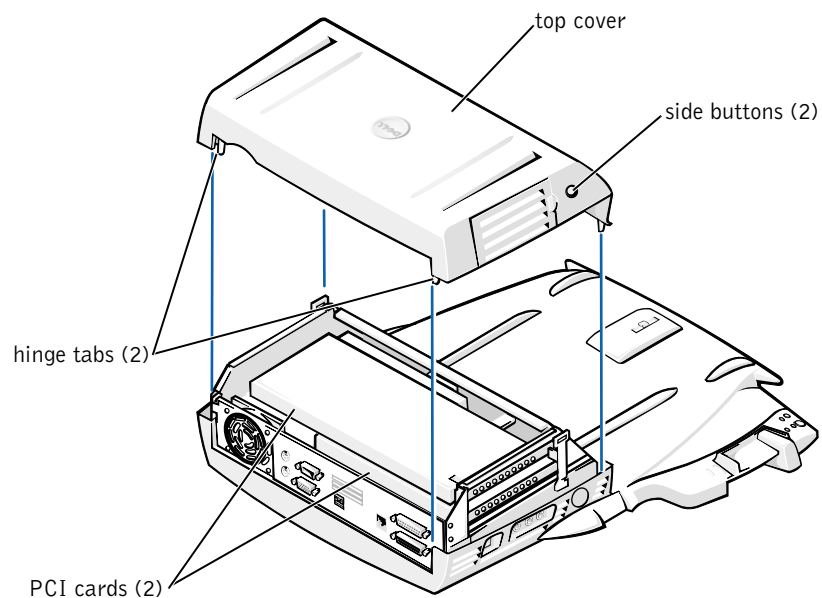
Replacing the Battery

Your docking device uses a lithium ion battery. The lithium ion cell battery is a long-life battery, and it is very possible that you will never need to replace it. However, should you need to replace it, perform the following steps.

 **CAUTION: There is a danger of a new battery exploding if it is incorrectly installed. Replace the battery only with the same or equivalent type recommended by the manufacturer. Discard used batteries according to the manufacturer’s instructions.**

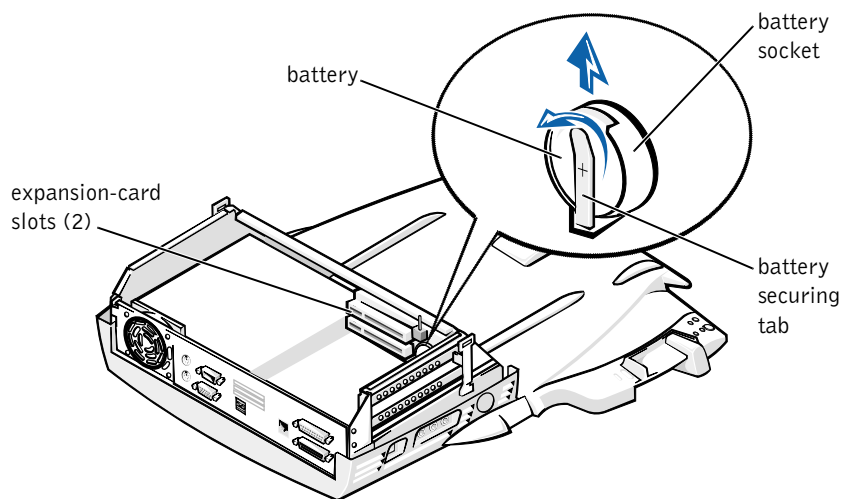
- 1 Undock the computer as described in “Undocking the Computer.”
- 2 Turn off the power switch on the docking device and disconnect the AC adapter.
- 3 Remove the top cover by pressing the two side buttons and rotating the cover toward the back of the expansion station (see “Removing the Top Cover”). Once the cover is vertical, disengage the hinge tabs, and fully remove the cover.

Removing the Top Cover



- 4 Remove any installed cards from the expansion-card slots.

Replacing the Battery



- 5 Slightly lift up the battery securing tab and remove the battery from the battery socket.
- 6 Orient the new battery with the side labeled “+” facing up. Then insert the battery into the socket and release the securing tab.

Do not dispose of this battery along with household waste. Contact your local waste disposal agency for the address of the nearest battery deposit site.

Removing and Installing a PCI Expansion Card

To install a Peripheral Component Interconnect (PCI) expansion card in the docking device, perform the following steps.



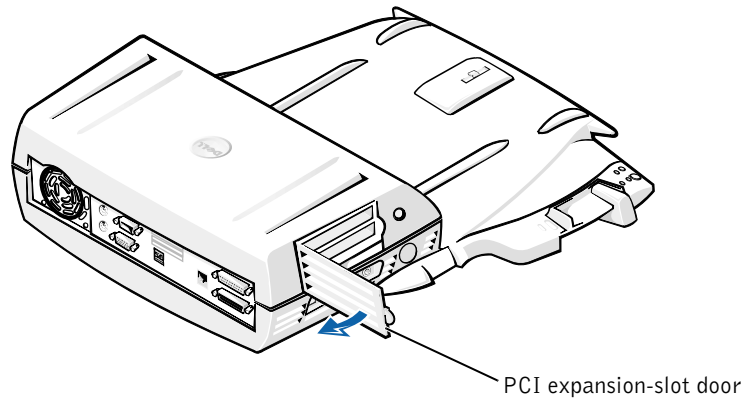
NOTE: Install 3.3-volt (V) or 5-V PCI expansion cards no longer than 10 inches (25.4 centimeters [cm]) in the top slot and install 3.3-V or 5-V PCI expansion cards no longer than 6.9 inches (15.5 cm) in the bottom slot.



NOTICE: Do not touch or handle anything inside the docking device except those objects mentioned in the following procedure. If you touch other objects, you may damage the docking device, and may void your warranty.

- 1 Save all files, close and exit all application programs, and exit the operating system.
- 2 Turn off the computer.
- 3 Remove the monitor from the monitor stand. Remove the monitor stand from the docking device.
- 4 Undock your computer and leave the eject/locking lever in the unlocked position.
- 5 Detach all cables—including the AC adapter cable—from the docking device. Make sure the eject/locking lever is not in the back/locking position.
- 6 Press the latch on the PCI expansion-slot door and remove it. See the following figure.

PCI Expansion-Slot Door and Expansion-Card Connector



- 7** Remove the top cover by pressing the two side buttons and rotating the cover toward the back of the docking device. Once the cover is rotated back, disengage the hinge tabs from the back of the docking device, and fully remove the top cover.

See the figure “Removing the Top Cover.”

- 8** Remove the screw holding the empty mounting bracket and set aside for future use.

Remove the empty mounting bracket. If a PCI card is installed, remove it by grasping the card by its outside corners, and easing it out of its connector.


- 9** Install a PCI expansion card.
 - a** Insert the card-edge connector of the card firmly into the expansion-card connector.
 - b** Gently rock the card side to side into the connector until it is fully seated.

- 10** Reseat the screw in the PCI card bracket to secure the PCI card.


- 11** Replace the top cover by first engaging the hinge tabs and gently lowering the front of the top cover into place. The top cover will be properly aligned when you hear the side buttons click into place.

- 12 Reconnect the cables—including the AC adapter cable—you disconnected in step 5.
- 13 Dock your computer.
- 14 Replace the monitor stand on the docking device and the monitor on the monitor stand.
- 15 Turn on the computer.
- 16 Install the drivers for the PCI card.

If a 16/4 Token-Ring PCI Adapter network card came with the docking device, Dell included a CD containing drivers and installation instructions.


 **NOTE:** If you are installing network drivers for a 16/4 Token-Ring PCI Adapter network card, connect the computer to the network before you install the drivers. Alert your network administrator before you connect the docking device to a network.


If you are using a PCI card that was not purchased from Dell, use the drivers and instructions provided by the manufacturer of the card.

 **NOTE:** The 16/4 Token-Ring PCI Adapter network card that Dell installed has been tested for use with the C/Dock II Expansion Station. Although you can install other PCI expansion cards, Dell does not guarantee their functionality.


Using the C/Dock II Media Bay

You may use any media device from your computer, such as a floppy drive or CD drive, in the C/Dock II Expansion Station media bay.

 **NOTE:** To avoid damaging the docking device or the media device, do not install any device in the docking device media bay that you do not normally use in your computer.

 **NOTE:** To avoid damaging the docking device, do not install the travel module or battery from the Dell Latitude computer in the docking device media bay.

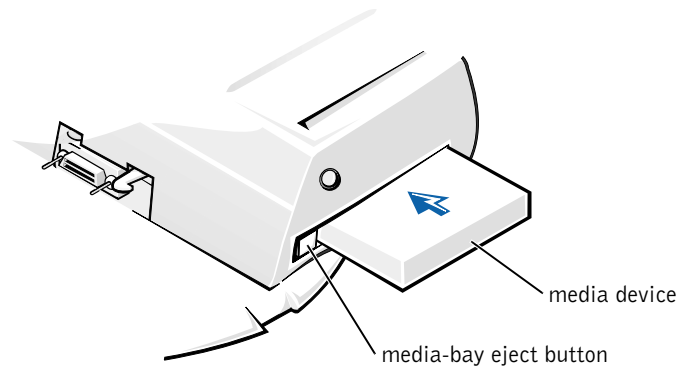
To install the computer's media device in the docking device media bay, perform the following steps.

 **NOTE:** The eject/locking lever must be in the unlocked position before you install a media bay device.

- 1 Save all files, close and exit all application programs, and exit the operating system.
- 2 Turn off the computer.
- 3 Remove any media device in the docking device media bay.

Press the media-bay eject button (see “Installing a Media Device in the Media Bay”). After the device slides partially out of the media bay, gently remove it the rest of the way.

Installing a Media Device in the Media Bay



- 4 Insert the desired media device into the docking device media bay (see the figure “Installing a Media Device in the Media Bay”).
- 5 Press the device in firmly.
If you properly seat the device, you should hear a click.
If you do not properly seat the device, it will be loose within the media bay. Reseat the device.
- 6 Turn on the computer.

Installing a Media Device for Windows NT 4.0 With Softex Docking Services

Windows NT with Softex Docking services allows hot-swapping of devices from the media bay. For more information, see "Docking With Windows NT and Softex Docking Services" and the *Softex Docking Services User's Guide* at <http://support.dell.com>.

Securing the C/Dock Expansion Station

Security Features

The docking device has the following security features:

- An eject/locking lever that allows you to secure and eject your computer. The back position secures the computer to the C/Dock II Expansion Station. The middle position allows you to use the docking device without securing it. The front position ejects the computer from the docking device. Push the eject/locking lever to the back position to use the padlock security lock and the security lock slot.
- A spring-loaded latch on the front of the base that fits into a security slot on the bottom of the computer secures the computer to the docking control base. Not all Dell portable computers have the security slot.
- A secured top cover that blocks access to Peripheral Card Interconnect (PCI) Card removal.
- A secured media-bay eject button that blocks removal of media bay devices.
- An immobilized catch latch to deter unauthorized computer removal.

Securing the C/Dock II Expansion Station

Use one of the following methods to secure the docking device:

- Use a padlock alone or a padlock and looped security cable with the padlock slot (see the figure “Docking Control Base Controls and Indicators”) on the docking device.

A padlock alone blocks the eject lever and makes it difficult to detach the computer from the docking device.

A security cable looped around a stationary object and used in conjunction with the padlock can help prevent the unauthorized movement of the computer and the C/Dock II Expansion Station.

- Attach a commercially available antitheft device to the security lock slot (see the figure “Docking Control Base Controls and Indicators”) on the docking device.

Antitheft devices usually include a segment of metal-stranded cable with an attached locking device and associated key. Dell recommends that you use a Kensington lock. For instructions on installing this kind of antitheft device, see the documentation that accompanied the device.

Dell Diagnostics

The Dell Diagnostics that came with your Dell Latitude computer includes tests that help you troubleshoot the controllers in your docking device.

The subtests in the **Network Interface** test group of the Dell Diagnostics verify the basic operation of the network controller in the docking device. They test the controller's internal functions, including read and write access to its registers and internal transmit and receive (loopback) capability.

The subtests in the **Serial/Infrared Ports** test group check the docking device's interface with external devices (such as a serial mouse or a printer). The subtests in this test group are not intended as a diagnostic test for the external device itself.

The subtests in the **USB** test group check the docking device's interface with external devices (such as a mouse). The subtests in this test group are not intended as a diagnostic test for the external device itself.

For complete instructions on using the Dell Diagnostics, see your computer's *User's Guide*.

Technical Specifications

Technical Specifications

Physical	
Height:	
With monitor stand	10.9 cm (4.3 inches)
Standalone	10.9 cm (4.3 inches)
Depth:	
With monitor stand	50.0 cm (19.7 inches)
Standalone	47.0 cm (18.5 inches)
Width:	
With monitor stand	43.5 cm (17.1 inches)
Standalone	42.0 cm (16.5 inches)
Weight:	
With monitor stand	5.5 kg (12.0 lb)
Standalone	4.1 kg (9.0 lb)
Power	
AC Adapter Input:	
Voltage	100–240 VAC, 50–60 Hz
Amperage	1.5 A
C/Dock II Expansion Station Input:	
Voltage	requires 20 VDC from AC Adapter
Amperage	3.5 A

Technical Specifications

I/O

Serial (DTE)	16550-compatible, 16-byte buffer connector
Parallel	unidirectional, bidirectional, or ECP connector
PS/2	two mini-DIN connectors
USB	two USB-compliant connectors
Infrared	infrared port compatible with IrDA Standards 1.1 (Fast IR) and 1.0
Audio line out	microphone-in jack; line-in/audio-in jack (for record/playback devices); audio line-out jack (for headphones)
SCSI	Ultra SCSI, 50-pin, subminiature D connector
Video	one connector
Network	one RJ45 connector
Docking (to connect to computer)	one connector

Ethernet Network Controller

Chip set	3Com [®] 3C920; 10/100 BASE-TX (PC99-compliant)
Data bus width	32-bit PCI host bus interface
IRQ	IRQ10

SCSI Controller

Chip set	Adaptec AIDC 7880C
Data bus width	8-bit SCSI bus; 32-bit PCI host bus interface
Data transfer rate	20 MB/sec
IRQ	IRQ10

Safety and EMC Instructions: Portable Computers

The following information defines the meaning of *additional* symbols used *only* in the Safety and Electromagnetic Compatibility (EMC) Instructions.



Risk of explosion



Aircraft



Risk of fire



Use of this feature may be prohibited on aircraft



Risk of electric shock



Safety Instructions

General

- When setting up the docking station for work, place it on a level surface.
- Do not attempt to service the docking station yourself unless you are an authorized service technician. Always follow installation instructions closely.
- If you use an extension power cable with your AC adapter, ensure that the total ampere rating of the products plugged in to the extension power cable does not exceed the ampere rating of the extension cable.



- Do not push objects into air vents or openings of your computer. Doing so can cause fire or electric shock by shorting out interior components.



- Place the AC adapter in a ventilated area, such as a desk top or on the floor, when you use it to run the computer or to charge the battery. Do not cover the AC adapter with papers or other items that will reduce cooling; also, do not use the AC adapter inside a carrying case.



- Do not use your computer in a wet environment, for example, near a bath tub, sink, or swimming pool or in a wet basement.



- To help avoid the potential hazard of electric shock, do not connect or disconnect any cables or perform maintenance or reconfiguration of this product during an electrical storm. Do not use your computer during an electrical storm unless all cables have been disconnected and the computer is operating on battery power.
- Use only the AC adapter and batteries that are approved for use with this docking device as indicated in this document. Use of another type of battery pack or AC adapter may risk fire or explosion.
- Before you clean your docking station, turn it off and disconnect the AC adapter from the electrical outlet. Clean your docking station with a soft cloth dampened with water. Do not use liquid or aerosol cleaners, which may contain flammable substances.



Power (Safety Instructions)



- Use only the Dell-provided AC adapter approved for use with this docking station. Use of another AC adapter may cause a fire or explosion.
- Before you connect the docking station to an electrical outlet, check the AC adapter voltage rating to ensure that the required voltage and frequency match the available power source.
- To remove power from the computer, turn it off and disconnect the AC adapter from the electrical outlet.



- To help prevent electric shock, plug the AC adapter and peripheral power cables into properly grounded power sources. These power cables may be equipped with three-prong plugs to provide an earth grounding connection. Do not use adapter plugs or remove the grounding prong from the power cable plug. If you use a power extension cable, use the appropriate type, two-prong or three-prong, to mate with the AC adapter power cable.
- Be sure that nothing rests on your AC adapter's power cable and that the cable is not located where it can be tripped over or stepped on.



- If you are using a multiple-outlet power strip, use caution when plugging the AC adapter's power cable into the power strip. Some power strips may allow you to insert the plug incorrectly. Incorrect insertion of the power plug could result in permanent damage to your computer, as well as risk of electric shock and/or fire. Ensure that the ground prong of the power plug is inserted into the mating ground contact of the power strip.

Regulatory Notices

Electromagnetic Interference (EMI) is any signal or emission, radiated in free space or conducted along power or signal leads, that endangers the functioning of a radio navigation or other safety service or seriously degrades, obstructs, or repeatedly interrupts a licensed radio communications service. Radio communications services include but are not limited to AM/FM commercial broadcast, television, cellular services, radar, air-traffic control, pager, and Personal Communication Services (PCS). These licensed services, along with unintentional radiators such as digital devices, including computers, contribute to the electromagnetic environment.

Electromagnetic Compatibility (EMC) is the ability of items of electronic equipment to function properly together in the electronic environment. While this computer has been designed and determined to be compliant with regulatory agency limits for EMI, there is no guarantee that interference will not occur in a particular installation. If this equipment does cause interference with radio communications services, which can be determined by turning the equipment off and on, you are encouraged to try to correct the interference by one or more of the following measures:

- Reorient the receiving antenna.
- Relocate the computer with respect to the receiver.
- Move the computer away from the receiver.
- Plug the computer into a different outlet so that the computer and the receiver are on different branch circuits.

If necessary, consult a Dell Technical Support representative or an experienced radio/television technician for additional suggestions.

Dell computers are designed, tested, and classified for their intended electromagnetic environment. These electromagnetic environment classifications generally refer to the following harmonized definitions:

- Class A is typically for business or industrial environments.
- Class B is typically for residential environments.

Information Technology Equipment (ITE), including devices, expansion cards, printers, input/output (I/O) devices, monitors, and so on, that are integrated into or connected to the computer should match the electromagnetic environment classification of the computer.

A Notice About Shielded Signal Cables: Use only shielded cables for connecting devices to any Dell device to reduce the possibility of interference with radio communications services. Using shielded cables ensures that you maintain the appropriate EMC classification for the intended environment. For parallel printers, a cable is available from Dell. If you prefer, you can order a cable from Dell on the World Wide Web at <http://accessories.us.dell.com/>.

Most Dell computers are classified for Class B environments. However, the inclusion of certain options can change the rating of some configurations to Class A. To determine the electromagnetic classification for your computer or device, refer to the following sections specific for each regulatory agency. Each section provides country-specific EMC/EMI or product safety information.

FCC Notices (U.S. Only)

Most Dell computers are classified by the Federal Communications Commission (FCC) as Class B digital devices. To determine which classification applies to your computer, examine all FCC registration labels located on the bottom or back panel of your computer, on card-mounting brackets, and on the cards themselves. If any one of the labels carries a Class A rating, your entire computer is considered to be a Class A digital device. If *all* labels carry an FCC Class B rating as distinguished by either an FCC ID number or the FCC logo, (**FC**), your computer is considered to be a Class B digital device.

Once you have determined your computer's FCC classification, read the appropriate FCC notice. Note that FCC regulations provide that changes or modifications not expressly approved by Dell could void your authority to operate this equipment.

This device complies with Part 15 of the FCC Rules. Operation is subject to the following two conditions:

- This device may not cause harmful interference.
- This device must accept any interference received, including interference that may cause undesired operation.

Class A

This equipment has been tested and found to comply with the limits for a Class A digital device pursuant to Part 15 of the FCC Rules. These limits are designed to provide reasonable protection against harmful interference when the equipment is operated in a commercial environment. This equipment generates, uses, and can radiate radio frequency energy and, if not installed and used in accordance with the manufacturer's instruction manual, may cause harmful interference with radio communications. Operation of this equipment in a residential area is likely to cause harmful interference, in which case you will be required to correct the interference at your own expense.

Class B

This equipment has been tested and found to comply with the limits for a Class B digital device pursuant to Part 15 of the FCC Rules. These limits are designed to provide reasonable protection against harmful interference in a residential installation. This equipment generates, uses, and can radiate radio frequency energy and, if not installed and used in accordance with the manufacturer's instruction manual, may cause interference with radio communications. However, there is no guarantee that interference will not occur in a particular installation. If this equipment does cause harmful interference to radio or television reception, which can be determined by turning the equipment off and on, you are encouraged to try to correct the interference by one or more of the following measures:

- Reorient or relocate the receiving antenna.
- Increase the separation between the equipment and the receiver.
- Connect the equipment into an outlet on a circuit different from that to which the receiver is connected.
- Consult the dealer or an experienced radio/television technician for help.

The following information is provided on the device or devices covered in this document in compliance with FCC regulations:

- Model number: PDX

- Company name:

Dell Computer Corporation
One Dell Way
Round Rock, Texas 78682 USA

IC Notice (Canada Only)

Most Dell computers (and other Dell digital apparatus) are classified by the Industry Canada (IC) Interference-Causing Equipment Standard #3 (ICES-003) as Class B digital devices. To determine which classification (Class A or B) applies to your computer (or other Dell digital apparatus), examine all registration labels located on the bottom or the back panel of your computer (or other digital apparatus). A statement in the form of "IC Class A ICES-003" or "IC Class B ICES-003" will be located on one of these labels. Note that Industry Canada regulations provide that changes or modifications not expressly approved by Dell could void your authority to operate this equipment.

This Class B (or Class A, if so indicated on the registration label) digital apparatus meets the requirements of the Canadian Interference-Causing Equipment Regulations.

Cet appareil numérique de la Classe B (ou Classe A, si ainsi indiqué sur l'étiquette d'enregistrement) respecte toutes les exigences du Règlement sur le Matériel Brouilleur du Canada.

CE Notice (European Union)

Marking by the symbol **CE** indicates compliance of this Dell computer to the EMC Directive and the Low Voltage Directive of the European Union. Such marking is indicative that this Dell system meets the following technical standards:

- EN 55022 — “Limits and Methods of Measurement of Radio Interference Characteristics of Information Technology Equipment.”
- EN 55024 — “Information technology equipment - Immunity characteristics - Limits and methods of measurement.”

- EN 61000-3-2 — “Electromagnetic compatibility (EMC) - Part 3: Limits - Section 2: Limits for harmonic current emissions (Equipment input current up to and including 16 A per phase).”
- EN 61000-3-3 — “Electromagnetic compatibility (EMC) - Part 3: Limits - Section 3: Limitation of voltage fluctuations and flicker in low-voltage supply systems for equipment with rated current up to and including 16 A.”
- EN 60950 — “Safety of Information Technology Equipment.”



NOTE: EN 55022 emissions requirements provide for two classifications:

- Class A is for typical commercial areas.
- Class B is for typical domestic areas.

This Dell device is classified for use in a typical Class B domestic environment.

A "Declaration of Conformity" in accordance with the preceding directives and standards has been made and is on file at Dell Computer Corporation Products Europe BV, Limerick, Ireland.

Battery Disposal

Your docking device uses a lithium ion battery. The lithium ion battery is a long-life battery, and it is very possible that you will never need to replace it. However, should you need to replace it, see “Replacing the Battery” found earlier in this document.



Do not dispose of the battery along with household waste. Contact your local waste disposal agency for the address of the nearest battery deposit site.

EN 55022 Compliance (Czech Republic Only)

This device belongs to Class B devices as described in EN 55022, unless it is specifically stated that it is a Class A device on the specification label. The following applies to devices in Class A of EN 55022 (radius of protection up to 30 meters). The user of the device is obliged to take all steps necessary to remove sources of interference to telecommunication or other devices.

Pokud není na typovém štítku počítače uvedeno, že spadá do třídy A podle EN 55022, spadá automaticky do třídy B podle EN 55022. Pro zařízení zařazená do třídy A (ochranné pásmo 30m) podle EN 55022 platí následující. Dojde-li k rušení telekomunikačních nebo jiných zařízení, je uživatel povinen provést taková opatření, aby rušení odstranil.

VCCI Notice (Japan Only)

Most Dell computers are classified by the Voluntary Control Council for Interference (VCCI) as Class B information technology equipment (ITE). However, the inclusion of certain options can change the rating of some configurations to Class A. ITE, including devices, expansion cards, printers, input/output (I/O) devices, monitors, and so on, integrated into or connected to the computer should match the electromagnetic environment classification (Class A or B) of the computer.

To determine which classification applies to your computer, examine the regulatory labels/markings (see "VCCI Class A ITE Regulatory Mark" and "VCCI Class B ITE Regulatory Mark") located on the bottom or back panel of your computer. Once you have determined your computer's VCCI classification, read the appropriate VCCI notice.

Class A ITE

この装置は、情報処理装置等電波障害自主規制協議会（VCCI）の基準に基づくクラス A 情報技術装置です。この装置を家庭環境で使用すると電波妨害を引き起こすことがあります。この場合には使用者が適切な対策を講ずるよう要求されることがあります。

This is a Class A product based on the standard of the Voluntary Control Council for Interference (VCCI) for information technology equipment. If this equipment is used in a domestic environment, radio disturbance may arise. When such trouble occurs, the user may be required to take corrective actions.

VCCI Class A ITE Regulatory Mark

VCCI-A

Class B ITE

この装置は、情報処理装置等電波障害自主規制協議会（VCCI）の基準に基づくクラス B 情報技術装置です。この装置は家庭環境で使用することを目的としていますが、ラジオやテレビジョン受信機に近接して使用されると、受信障害を引き起こすことがあります。
取扱説明書に従って正しい取り扱いをしてください。

This is a Class B product based on the standard of the Voluntary Control Council for Interference (VCCI) for information technology equipment. If this equipment is used near a radio or television receiver in a domestic environment, it may cause radio interference. Install and use the equipment according to the instruction manual.

VCCI Class B ITE Regulatory Mark



MIC Notice (Republic of Korea Only)

To determine which classification (Class A or B) applies to your computer (or other Dell digital device), examine the Republic of Korean Ministry of Information and Communications (MIC) registration labels located on your computer (or other Dell digital device). The MIC label may be located separately from the other regulatory marking applied to your product. Line three of the label identifies the emissions class for the product—"(A)" for Class A products or "(B)" for Class B products.

 **NOTE:** MIC emissions requirements provide for two classifications:

- Class A devices are for business purposes.
- Class B devices are for nonbusiness purposes.

Class A Device

기종별	사용자안내문
A급 기기 (업무용 정보통신기기)	이 기기는 업무용으로 전자파적합등록을 한 기기이오니 판매자 또는 사용자는 이 점을 주의하시기 바라며 만약 잘못 판매 또는 구입하였을 때에는 가정용으로 교환하시기 바랍니다.

Please note that this device has been approved for business purposes with regard to electromagnetic interference. If you find that this device is not suitable for your use, you may exchange it for a nonbusiness-purpose device.

MIC Class A Regulatory Label.



1. 기기의 명칭(모델명):
2. 인증번호:
3. 인증받은 자의 상호: (A)
4. 제조년월일:
5. 제조자/제조국가:

Class B Device

기종별	사용자 안내문
B급 기기 (가정용 정보통신기기)	이 기기는 가정용으로 전자파적합등록을 한 기기로서 주거지역에서는 물론 모든 지역에서 사용할 수 있습니다.

Please note that this device has been approved for nonbusiness purposes and may be used in any environment, including residential areas.

MIC Class B Regulatory Label.



1. 기기의 명칭(모델명):
2. 인증번호:
3. 인증받은 자의 상호: (B)
4. 제조년월일:
5. 제조자/제조국가:

Polish Center for Testing and Certification Notice

The equipment should draw power from a socket with an attached protection circuit (a three-prong socket). All equipment that works together (computer, monitor, printer, and so on) should have the same power supply source.

The phasing conductor of the room's electrical installation should have a reserve short-circuit protection device in the form of a fuse with a nominal value no larger than 16 amperes (A).

To completely switch off the equipment, the power supply cable must be removed from the power supply socket, which should be located near the equipment and easily accessible.

A protection mark "B" confirms that the equipment is in compliance with the protection usage requirements of standards PN-93/T-42107 and PN-EN 55022: 1996.

Wymagania Polskiego Centrum Badań i Certyfikacji

Urządzenie powinno być zasilane z gniazda z przyłączonym obwodem ochronnym (gniazdo z kołkiem). Współpracujące ze sobą urządzenia (komputer, monitor, drukarka) powinny być zasilane z tego samego źródła.

Instalacja elektryczna pomieszczenia powinna zawierać w przewodzie fazowym rezerwową ochronę przed zwarciami, w postaci bezpiecznika o wartości znamionowej nie większej niż 16A (amperów).

W celu całkowitego wyłączenia urządzenia z sieci zasilania, należy wyjąć wtyczkę kabla zasilającego z gniazdka, które powinno znajdować się w pobliżu urządzenia i być łatwo dostępne.

Znak bezpieczeństwa "B" potwierdza zgodność urządzenia z wymaganiami bezpieczeństwa użytkownika zawartymi w PN-93/T-42107 i PN-EN 55022:1996.

Jeżeli na tabliczce znamionowej umieszczono informację, że urządzenie jest klasy A, to oznacza to, że urządzenie w środowisku mieszkalnym może powodować zakłócenia radioelektryczne. W takich przypadkach można żądać od jego użytkownika zastosowania odpowiednich środków zaradczych.

Pozostałe instrukcje bezpieczeństwa

- Nie należy używać wtyczek adapterowych lub usuwać kołka obwodu ochronnego z wtyczki. Jeżeli konieczne jest użycie przedłużacza to należy użyć przedłużacza 3-żyłowego z prawidłowo połączonym przewodem ochronnym.
- System komputerowy należy zabezpieczyć przed nagłymi, chwilowymi wzrostami lub spadkami napięcia, używając eliminatora przepięć, urządzenia dopasowującego lub bezzakłócenowego źródła zasilania.
- Należy upewnić się, aby nic nie leżało na kablach systemu komputerowego, oraz aby kable nie były umieszczone w miejscu, gdzie można byłoby na nie nadeptywać lub potykać się o nie.
- Nie należy rozlewać napojów ani innych płynów na system komputerowy.
- Nie należy wpychać żadnych przedmiotów do otworów systemu komputerowego, gdyż może to spowodować pożar lub porażenie prądem, poprzez zwarcie elementów wewnętrznych.
- System komputerowy powinien znajdować się z dala od grzejników i źródeł ciepła. Ponadto, nie należy blokować otworów wentylacyjnych. Należy unikać kładzenia luźnych papierów pod komputer oraz umieszczania komputera w ciasnym miejscu bez możliwości cyrkulacji powietrza wokół niego.

NOM Information (Mexico Only)

The following information is provided on the device(s) described in this document in compliance with the requirements of the official Mexican standards (NOM):

Exporter:	Dell Computer Corporation One Dell Way Round Rock, TX 78682
Importer:	Dell Computer de México, S.A. de C.V. Paseo de la Reforma 2620 - 11° Piso Col. Lomas Altas 11950 México, D.F.
Ship to:	Dell Computer de México, S.A. de C.V. al Cuidado de Kuehne & Nagel de México S. de R.I. Avenida Soles No. 55 Col. Peñon de los Baños 15520 México, D.F.
Supply voltage:	100–240 VAC
Frequency:	50–60 Hz
Current Consumption:	1.5 A
Output voltage:	20 VDC
Output current:	3.5 A

Información para NOM (únicamente para México)

La información siguiente se proporciona en el dispositivo o en los dispositivos descritos en este documento, en cumplimiento con los requisitos de la Norma Oficial Mexicana (NOM):

Exportador:	Dell Computer Corporation One Dell Way Round Rock, TX 78682
Importador:	Dell Computer de México, S.A. de C.V. Paseo de la Reforma 2620 - 11° Piso Col. Lomas Altas 11950 México, D.F.
Embarcar a:	Dell Computer de México, S.A. de C.V. al Cuidado de Kuehne & Nagel de México S. de R.L. Avenida Soles No. 55 Col. Peñon de los Baños 15520 México, D.F.
Voltaje de entrada de alimentación:	100–240 VAC
Frecuencia:	50–60 Hz
Consumo eléctrico:	1.5 A
Voltaje de salida:	20 VDC
Corriente de salida:	3.5 A

BSMI Notice (Taiwan Only)

BSMI 通告 (僅限於台灣)

大多數的 Dell 電腦系統被 BSMI (經濟部標準檢驗局) 劃分為乙類數位裝置。但是，使用某些選件會使有些組態的等級變成甲類。若要確定您的電腦系統適用等級，請檢查所有位於電腦底部或背面板、擴充卡安裝托架，以及擴充卡上的 BSMI 註冊標籤。如果其中有一甲類標籤，即表示您的系統為甲類數位裝置。如果只有 BSMI 的檢磁號碼標籤，則表示您的系統為乙類數位裝置。

一旦確定了系統的 BSMI 等級，請閱讀相關的 BSMI 通告。請注意，BSMI 通告規定凡是未經 Dell Computer Corporation 明確批准的擅自變更或修改，將導致您失去此設備的使用權。

此裝置符合 BSMI (經濟部標準檢驗局) 的規定，使用時須符合以下兩項條件：

- 此裝置不會產生有害干擾。
- 此裝置必須能接受所接收到的干擾，包括可能導致無法正常作業的干擾。

甲類

此設備經測試證明符合 BSMI (經濟部標準檢驗局) 之甲類數位裝置的限制規定。這些限制的目的是為了在商業環境中使用此設備時，能提供合理的保護以防止有害的干擾。此設備會產生、使用並散發射頻能量；如果未遵照製造廠商的指導手冊來安裝和使用，可能會干擾無線電通訊。請勿在住宅區使用此設備。

警告使用者：

這是甲類的資訊產品，在居住的環境中使用時，可能會造成射頻干擾，在這種情況下，使用者會被要求採取某些適當的對策。

乙類

此設備經測試證明符合 BSMI (經濟部標準檢驗局) 之乙類數位裝置的限制規定。這些限制的目的是為了在住宅區安裝時，能防止有害的干擾，提供合理的保護。此設備會產生、使用並散發射頻能量；如果未遵照製造廠商的指導手冊來安裝和使用，可能會干擾無線電通訊。但是，這並不保證在個別的安裝中不會產生干擾。您可以透過關閉和開啓此設備來判斷它是否會對廣播和電視收訊造成干擾；如果確實如此，我們建議您嘗試以下列一種或多種方法來排除干擾：

- 重新調整天線的接收方向或重新放置接收天線。
- 增加設備與接收器的距離。
- 將設備連接至不同的插座，使設備與接收器連接在不同的電路上。
- 請向經銷商或有經驗的無線電/電視技術人員查詢，以獲得幫助。

CE Mark Notice

This device complies with the requirements of the European Directive 1999/5/EC.

Limited Warranty and Return Policy

Refer to the invoice that came with your docking device to determine which warranty you purchased.

One-Year Limited Warranty (U.S. Only)

Dell Computer Corporation (“Dell”) manufactures its hardware products from parts and components that are new or equivalent to new in accordance with industry-standard practices. Dell warrants that the hardware products it manufactures will be free from defects in materials and workmanship. The limited warranty term is one year beginning on the date of invoice, as further described in the following text.

Damage due to shipping the products to you is covered under this limited warranty. Otherwise, this limited warranty does not cover damage due to external causes, including accident, abuse, misuse, problems with electrical power, servicing not authorized by Dell, usage not in accordance with product instructions, failure to perform required preventive maintenance, and problems caused by use of parts and components not supplied by Dell.

This limited warranty does not cover any items that are in one or more of the following categories: software; external devices (except as specifically noted); accessories or parts added to a Dell system after the system is shipped from Dell; accessories or parts added to a Dell system through Dell’s system integration department; accessories or parts that are not installed in the Dell factory; or DellWare™ products. Monitors, keyboards, and mice that are Dell-branded or that are included on Dell’s standard price list are covered under this limited warranty; all other monitors, keyboards, and mice (including those sold through the DellWare program) are not covered.

Dell will repair or replace products covered under this limited warranty that are returned to Dell's facility. To request warranty service, you must contact Dell's Customer Technical Support within the limited warranty period. See "Getting Help" in your computer's online *User's Guide* to find the appropriate contact information for obtaining customer assistance. If warranty service is required, Dell will issue a Return Material Authorization Number. You must ship the products back to Dell in their original or equivalent packaging, prepay shipping charges, and insure the shipment or accept the risk of loss or damage during shipment. Dell will ship the repaired or replacement products to you (freight prepaid) if you use an address in the continental U.S., where applicable. Shipments to other locations will be made freight collect.



NOTE: Before you ship the product(s) to Dell, back up the data on the hard-disk drive(s) and any other storage device(s) in the product(s). Remove any removable media, such as diskettes, CDs, or PC Cards.

Dell owns all parts removed from repaired products. Dell uses new and reconditioned parts made by various manufacturers in performing warranty repairs and building replacement products. If Dell repairs or replaces a product, its warranty term is not extended.

THIS LIMITED WARRANTY GIVES YOU SPECIFIC LEGAL RIGHTS, AND YOU MAY ALSO HAVE OTHER RIGHTS, WHICH VARY FROM STATE TO STATE (OR JURISDICTION TO JURISDICTION). DELL'S RESPONSIBILITY FOR MALFUNCTIONS AND DEFECTS IN HARDWARE IS LIMITED TO REPAIR AND REPLACEMENT AS SET FORTH IN THIS LIMITED WARRANTY STATEMENT. ALL EXPRESS AND IMPLIED WARRANTIES FOR THE PRODUCT, INCLUDING BUT NOT LIMITED TO ANY IMPLIED WARRANTIES OF AND CONDITIONS OF MERCHANTABILITY AND FITNESS FOR A PARTICULAR PURPOSE, ARE LIMITED IN DURATION TO THE WARRANTY PERIOD SET FORTH ABOVE AND NO WARRANTIES, WHETHER EXPRESS OR IMPLIED, WILL APPLY AFTER SUCH PERIOD.

SOME STATES (OR JURISDICTIONS) DO NOT ALLOW LIMITATIONS ON HOW LONG AN IMPLIED WARRANTY LASTS, SO THE PRECEDING LIMITATION MAY NOT APPLY TO YOU.

DELL DOES NOT ACCEPT LIABILITY BEYOND THE REMEDIES SET FORTH IN THIS LIMITED WARRANTY STATEMENT OR LIABILITY FOR INCIDENTAL OR CONSEQUENTIAL DAMAGES, INCLUDING WITHOUT LIMITATION ANY LIABILITY FOR PRODUCTS NOT BEING AVAILABLE FOR USE OR FOR LOST DATA OR SOFTWARE.

SOME STATES (OR JURISDICTIONS) DO NOT ALLOW THE EXCLUSION OR LIMITATION OF INCIDENTAL OR CONSEQUENTIAL DAMAGES, SO THE PRECEDING EXCLUSION OR LIMITATION MAY NOT APPLY TO YOU.

These provisions apply to Dell's one-year limited warranty only. For provisions of any service contract covering your system, refer to your invoice or the separate service contract that you will receive.

If Dell elects to exchange a product or portion of a product, the exchange will be made in accordance with Dell's Exchange Policy in effect on the date of the exchange. In any instance in which Dell issues a Return Material Authorization Number, Dell must receive the product(s) for repair prior to the expiration of the warranty period in order for the repair(s) to be covered by the limited warranty.

One-Year Limited Warranty (Canada Only)

Dell Computer Corporation ("Dell") manufactures its hardware products from parts and components that are new or equivalent to new in accordance with industry-standard practices. Dell warrants that the hardware products it manufactures will be free from defects in materials and workmanship. The limited warranty term is one year beginning on the date of invoice, as further described in the following text.

Damage due to shipping the products to you is covered under this limited warranty. Otherwise, this limited warranty does not cover damage due to external causes, including accident, abuse, misuse, problems with electrical power, servicing not authorized by Dell, usage not in accordance with product instructions, failure to perform required preventive maintenance, and problems caused by use of parts and components not supplied by Dell.

This limited warranty does not cover any items that are in one or more of the following categories: software; external devices (except as specifically noted); accessories or parts added to a Dell system after the system is shipped from Dell; accessories or parts added to a Dell system through Dell's system integration department; accessories or parts that are not installed in the Dell factory; or DellWare products. Monitors, keyboards, and mice that are Dell-branded or that are included on Dell's standard price list are covered under this limited warranty; all other monitors, keyboards, and mice (including those sold through the DellWare program) are not covered.

Dell will repair or replace products covered under this limited warranty that are returned to Dell's facility. To request warranty service, you must contact Dell's Customer Technical Support within the warranty period. See "Getting Help" in your computer's online *User's Guide* to find the appropriate contact information for obtaining customer assistance. If warranty service is required, Dell will issue a Return Material Authorization Number. You must ship the products back to Dell in their original or equivalent packaging, prepay shipping charges, and insure the shipment or accept the risk of loss or damage during shipment. Dell will ship the repaired or replacement products to you (freight prepaid) if you use an address in Canada, where applicable. Shipments to other locations will be made freight collect.



NOTE: Before you ship the product(s) to Dell, back up the data on the hard-disk drive(s) and any other storage device(s) in the product(s). Remove any removable media, such as diskettes, CDs, or PC Cards.

Dell owns all parts removed from repaired products. Dell uses new and reconditioned parts made by various manufacturers in performing warranty repairs and building replacement products. If Dell repairs or replaces a product, its warranty term is not extended.

DELL MAKES NO EXPRESS WARRANTIES OR CONDITIONS BEYOND THOSE STATED IN THIS LIMITED WARRANTY STATEMENT. DELL DISCLAIMS ALL OTHER WARRANTIES AND CONDITIONS, EXPRESS OR IMPLIED, INCLUDING WITHOUT LIMITATION IMPLIED WARRANTIES AND CONDITIONS OF MERCHANTABILITY AND FITNESS FOR A PARTICULAR PURPOSE. SOME STATES (OR JURISDICTIONS) DO NOT ALLOW LIMITATIONS ON IMPLIED WARRANTIES OR CONDITIONS, SO THIS LIMITATION MAY NOT APPLY TO YOU.

DELL'S RESPONSIBILITY FOR MALFUNCTIONS AND DEFECTS IN HARDWARE IS LIMITED TO REPAIR AND REPLACEMENT AS SET FORTH IN THIS LIMITED WARRANTY STATEMENT. THESE WARRANTIES GIVE YOU SPECIFIC LEGAL RIGHTS, AND YOU MAY ALSO HAVE OTHER RIGHTS, WHICH VARY FROM STATE TO STATE (OR JURISDICTION TO JURISDICTION).

DELL DOES NOT ACCEPT LIABILITY BEYOND THE REMEDIES SET FORTH IN THIS LIMITED WARRANTY STATEMENT OR LIABILITY FOR INCIDENTAL OR CONSEQUENTIAL DAMAGES, INCLUDING WITHOUT LIMITATION ANY LIABILITY FOR PRODUCTS NOT BEING AVAILABLE FOR USE OR FOR LOST DATA OR SOFTWARE.

SOME STATES (OR JURISDICTIONS) DO NOT ALLOW THE EXCLUSION OR LIMITATION OF INCIDENTAL OR CONSEQUENTIAL DAMAGES, SO THE PRECEDING EXCLUSION OR LIMITATION MAY NOT APPLY TO YOU.

These provisions apply to Dell's one-year limited warranty only. For provisions of any service contract covering your system, refer to your invoice or the separate service contract that you will receive.

If Dell elects to exchange a product or portion of a product, the exchange will be made in accordance with Dell's Exchange Policy in effect on the date of the exchange. In any instance in which Dell issues a Return Material Authorization Number, Dell must receive the product(s) for repair prior to the expiration of the warranty period in order for the repair(s) to be covered by the limited warranty.

One-Year End-User Manufacturer Guarantee (Latin America and the Caribbean Only)

Guarantee

Dell Computer Corporation (“Dell”) warrants to the end user in accordance with the following provisions that its branded hardware products, purchased by the end user from a Dell company or an authorized Dell distributor in Latin America or the Caribbean, will be free from defects in materials, workmanship, and design affecting normal use, for a period of one year from the original purchase date. Products for which proper claims are made will, at Dell’s option, be repaired or replaced at Dell’s expense. Dell owns all parts removed from repaired products. Dell uses new and reconditioned parts made by various manufacturers in performing repairs and building replacement products.

Exclusions

This Guarantee does not apply to defects resulting from: improper or inadequate installation, use, or maintenance; actions or modifications by unauthorized third parties or the end user; accidental or willful damage; or normal wear and tear.

Making a Claim

Claims must be made in Latin America or the Caribbean by contacting the Dell point of sale within the guarantee period. The end user must always supply proof of purchase, indicating name and address of the seller, date of purchase, model and serial number, name and address of the customer, and details of symptoms and configuration at the time of malfunction, including peripherals and software used. Otherwise, Dell may refuse the guarantee claim. Upon diagnosis of a warranted defect, Dell will make arrangements and pay for ground freight and insurance to and from Dell’s repair/replacement center. The end user must ensure that the defective product is available for collection properly packed in original or equally protective packaging together with the details listed above and the return number provided to the end user by Dell.

Limitation and Statutory Rights

Dell makes no other warranty, guarantee or like statement other than as explicitly stated above, and this Guarantee is given in place of all other guarantees whatsoever, to the fullest extent permitted by law. In the absence of applicable legislation, this Guarantee will be the end user's sole and exclusive remedy against Dell or any of its affiliates, and neither Dell nor any of its affiliates shall be liable for loss of profit or contracts, or any other indirect or consequential loss arising from negligence, breach of contract, or howsoever.

This Guarantee does not impair or affect mandatory statutory rights of the end user against and/or any rights resulting from other contracts concluded by the end user with Dell and/or any other seller.

Dell World Trade LP

One Dell Way, Round Rock, TX 78682, USA

Dell Computadores do Brasil Ltda (CNPJ No. 72.381.189/0001-10)/

Dell Commercial do Brasil Ltda (CNPJ No. 03 405 822/0001-40)

Avenida Industrial Belgraf, 400

92990-000 - Eldorado do Sul - RS - Brasil

Dell Computer de Chile Ltda

Coyancura 2283, Piso 3 - Of.302,

Providencia, Santiago - Chile

Dell Computer de Colombia Corporation

Carrera 7 #115-33 Oficina 603

Bogota, Colombia

Dell Computer de Mexico SA de CV

Paseo de la Reforma 2620 - 11° Piso

Col. Lomas Altas

11950 México, D.F.

Three-Year Limited Warranty (U.S. Only)


Dell Computer Corporation (“Dell”) manufactures its hardware products from parts and components that are new or equivalent to new in accordance with industry-standard practices. Dell warrants that the hardware products it manufactures will be free from defects in materials and workmanship. The limited warranty term is three years beginning on the date of invoice, as described in the following text.

Damage due to shipping the products to you is covered under this limited warranty. Otherwise, this limited warranty does not cover damage due to external causes, including accident, abuse, misuse, problems with electrical power, servicing not authorized by Dell, usage not in accordance with product instructions, failure to perform required preventive maintenance, and problems caused by use of parts and components not supplied by Dell.

This limited warranty does not cover any items that are in one or more of the following categories: software; external devices (except as specifically noted); accessories or parts added to a Dell system after the system is shipped from Dell; accessories or parts added to a Dell system through Dell’s system integration department; accessories or parts that are not installed in the Dell factory; or DellWare™ products. Monitors, keyboards, and mice that are Dell-branded or that are included on Dell’s standard price list are covered under this limited warranty; all other monitors, keyboards, and mice (including those sold through the DellWare program) are not covered. Batteries for portable computers are covered only during the initial one-year period of this limited warranty.

Coverage During Year One

During the one-year period beginning on the invoice date, Dell will repair or replace products covered under this limited warranty that are returned to Dell's facility. To request warranty service, you must contact Dell's Customer Technical Support within the warranty period. See "Getting Help" in your computer's online *User's Guide* to find the appropriate contact information for obtaining customer assistance. If warranty service is required, Dell will issue a Return Material Authorization Number. You must ship the products back to Dell in their original or equivalent packaging, prepay shipping charges, and insure the shipment or accept the risk of loss or damage during shipment. Dell will ship the repaired or replacement products to you freight prepaid if you use an address in the continental U.S., where applicable. Shipments to other locations will be made freight collect.

 **NOTE:** Before you ship the product(s) to Dell, back up the data on the hard-disk drive(s) and any other storage device(s) in the product(s). Remove any removable media, such as diskettes, CDs, or PC Cards. Dell does not accept liability for lost data or software.

Dell owns all parts removed from repaired products. Dell uses new and reconditioned parts made by various manufacturers in performing warranty repairs and building replacement products. If Dell repairs or replaces a product, its warranty term is not extended.

Coverage During Years Two and Three

During the second and third years of this limited warranty, Dell will provide, on an exchange basis and subject to Dell's Exchange Policy in effect on the date of the exchange, replacement parts for the Dell hardware product(s) covered under this limited warranty when a part requires replacement. You must report each instance of hardware failure to Dell's Customer Technical Support in advance to obtain Dell's concurrence that a part should be replaced and to have Dell ship the replacement part. Dell will ship parts (freight prepaid) if you use an address in the continental U.S., where applicable. Shipments to other locations will be made freight collect. Dell will include a prepaid shipping container with each replacement part for your use in returning the replaced part to Dell. Replacement parts are new or reconditioned. Dell may provide replacement parts made by various manufacturers when supplying parts to you. The warranty term for a replacement part is the remainder of the limited warranty term.

You will pay Dell for replacement parts if the replaced part is not returned to Dell. The process for returning replaced parts, and your obligation to pay for replacement parts if you do not return the replaced parts to Dell, will be in accordance with Dell's Exchange Policy in effect on the date of the exchange.

You accept full responsibility for your software and data. Dell is not required to advise or remind you of appropriate backup and other procedures.

General Provisions

THIS LIMITED WARRANTY GIVES YOU SPECIFIC LEGAL RIGHTS, AND YOU MAY ALSO HAVE OTHER RIGHTS, WHICH VARY FROM STATE TO STATE (OR JURISDICTION TO JURISDICTION). DELL'S RESPONSIBILITY FOR MALFUNCTIONS AND DEFECTS IN HARDWARE IS LIMITED TO REPAIR AND REPLACEMENT AS SET FORTH IN THIS LIMITED WARRANTY STATEMENT. ALL EXPRESS AND IMPLIED WARRANTIES FOR THE PRODUCT, INCLUDING BUT NOT LIMITED TO ANY IMPLIED WARRANTIES OF AND CONDITIONS OF MERCHANTABILITY AND FITNESS FOR A PARTICULAR PURPOSE, ARE LIMITED IN DURATION TO THE WARRANTY PERIOD SET FORTH ABOVE AND NO WARRANTIES, WHETHER EXPRESS OR IMPLIED, WILL APPLY AFTER SUCH PERIOD.

SOME STATES (OR JURISDICTIONS) DO NOT ALLOW LIMITATIONS ON HOW LONG AN IMPLIED WARRANTY LASTS, SO THE PRECEDING LIMITATION MAY NOT APPLY TO YOU.

DELL DOES NOT ACCEPT LIABILITY BEYOND THE REMEDIES SET FORTH IN THIS LIMITED WARRANTY STATEMENT OR LIABILITY FOR INCIDENTAL OR CONSEQUENTIAL DAMAGES, INCLUDING WITHOUT LIMITATION ANY LIABILITY FOR PRODUCTS NOT BEING AVAILABLE FOR USE OR FOR LOST DATA OR SOFTWARE.

SOME STATES (OR JURISDICTIONS) DO NOT ALLOW THE EXCLUSION OR LIMITATION OF INCIDENTAL OR CONSEQUENTIAL DAMAGES, SO THE PRECEDING EXCLUSION OR LIMITATION MAY NOT APPLY TO YOU.

These provisions apply to Dell's three-year limited warranty only. For provisions of any service contract covering your system, refer to your invoice or the separate service contract that you will receive.

If Dell elects to exchange a system or component, the exchange will be made in accordance with Dell's Exchange Policy in effect on the date of the exchange. In any instance in which Dell issues a Return Material Authorization Number, Dell must receive the product(s) for repair prior to the expiration of the warranty period in order for the repair(s) to be covered by the limited warranty.

Three-Year Limited Warranty (Canada Only)

Dell Computer Corporation ("Dell") manufactures its hardware products from parts and components that are new or equivalent to new in accordance with industry-standard practices. Dell warrants that the hardware products it manufactures will be free from defects in materials and workmanship. The warranty term is three years beginning on the date of invoice, as described in the following text.

Damage due to shipping the products to you is covered under this limited warranty. Otherwise, this limited warranty does not cover damage due to external causes, including accident, abuse, misuse, problems with electrical power, servicing not authorized by Dell, usage not in accordance with product instructions, failure to perform required preventive maintenance, and problems caused by use of parts and components not supplied by Dell.

This limited warranty does not cover any items that are in one or more of the following categories: software; external devices (except as specifically noted); accessories or parts added to a Dell system after the system is shipped from Dell; accessories or parts added to a Dell system through Dell's system integration department; accessories or parts that are not installed in the Dell factory; or DellWare products. Monitors, keyboards, and mice that are Dell-branded or that are included on Dell's standard price list are covered under this limited warranty; all other monitors, keyboards, and mice (including those sold through the DellWare program) are not covered. Batteries for portable computers are covered only during the initial one-year period of this limited warranty.

Coverage During Year One

During the one-year period beginning on the invoice date, Dell will repair or replace products covered under this limited warranty that are returned to Dell's facility. To request warranty service, you must contact Dell's Customer Technical Support within the warranty period. See "Getting Help" in your computer's online *User's Guide* to find the appropriate contact information for obtaining customer assistance. If warranty service is required, Dell will issue a Return Material Authorization Number. You must ship the products back to Dell in their original or equivalent packaging, prepay shipping charges, and insure the shipment or accept the risk of loss or damage during shipment. Dell will ship the repaired or replacement products to you freight prepaid if you use an address in Canada, where applicable. Shipments to other locations will be made freight collect.



NOTE: Before you ship the product(s) to Dell, back up the data on the hard-disk drive(s) and any other storage device(s) in the product(s). Remove any removable media, such as diskettes, CDs, or PC Cards. Dell does not accept liability for lost data or software.

Dell owns all parts removed from repaired products. Dell uses new and reconditioned parts made by various manufacturers in performing warranty repairs and building replacement products. If Dell repairs or replaces a product, its warranty term is not extended.

Coverage During Years Two and Three

During the second and third years of this limited warranty, Dell will provide, on an exchange basis and subject to Dell's Exchange Policy in effect on the date of the exchange, replacement parts for the Dell hardware product(s) covered under this limited warranty when a part requires replacement. You must report each instance of hardware failure to Dell's Customer Technical Support in advance to obtain Dell's concurrence that a part should be replaced and to have Dell ship the replacement part. Dell will ship parts (freight prepaid) if you use an address in Canada, where applicable. Shipments to other locations will be made freight collect. Dell will include a prepaid shipping container with each replacement part for your use in returning the replaced part to Dell. Replacement parts are new or reconditioned. Dell may provide replacement parts made by various manufacturers when supplying parts to you. The warranty term for a replacement part is the remainder of the limited warranty term.

You will pay Dell for replacement parts if the replaced part is not returned to Dell. The process for returning replaced parts, and your obligation to pay for replacement parts if you do not return the replaced parts to Dell, will be in accordance with Dell's Exchange Policy in effect on the date of the exchange.

You accept full responsibility for your software and data. Dell is not required to advise or remind you of appropriate backup and other procedures.

General Provisions

DELL MAKES NO EXPRESS WARRANTIES OR CONDITIONS BEYOND THOSE STATED IN THIS LIMITED WARRANTY STATEMENT. DELL DISCLAIMS ALL OTHER WARRANTIES AND CONDITIONS, EXPRESS OR IMPLIED, INCLUDING WITHOUT LIMITATION IMPLIED WARRANTIES AND CONDITIONS OF MERCHANTABILITY AND FITNESS FOR A PARTICULAR PURPOSE. SOME STATES (OR JURISDICTIONS) DO NOT ALLOW LIMITATIONS ON IMPLIED WARRANTIES OR CONDITIONS, SO THIS LIMITATION MAY NOT APPLY TO YOU.

DELL'S RESPONSIBILITY FOR MALFUNCTIONS AND DEFECTS IN HARDWARE IS LIMITED TO REPAIR AND REPLACEMENT AS SET FORTH IN THIS LIMITED WARRANTY STATEMENT. THESE WARRANTIES GIVE YOU SPECIFIC LEGAL RIGHTS, AND YOU MAY ALSO HAVE OTHER RIGHTS, WHICH VARY FROM STATE TO STATE (OR JURISDICTION TO JURISDICTION).

DELL DOES NOT ACCEPT LIABILITY BEYOND THE REMEDIES SET FORTH IN THIS LIMITED WARRANTY STATEMENT OR LIABILITY FOR INCIDENTAL OR CONSEQUENTIAL DAMAGES, INCLUDING WITHOUT LIMITATION ANY LIABILITY FOR PRODUCTS NOT BEING AVAILABLE FOR USE OR FOR LOST DATA OR SOFTWARE.

SOME STATES (OR JURISDICTIONS) DO NOT ALLOW THE EXCLUSION OR LIMITATION OF INCIDENTAL OR CONSEQUENTIAL DAMAGES, SO THE PRECEDING EXCLUSION OR LIMITATION MAY NOT APPLY TO YOU.

These provisions apply to Dell's three-year limited warranty only. For provisions of any service contract covering your system, refer to your invoice or the separate service contract that you will receive.

If Dell elects to exchange a system or component, the exchange will be made in accordance with Dell's Exchange Policy in effect on the date of the exchange. In any instance in which Dell issues a Return Material Authorization Number, Dell must receive the product(s) for repair prior to the expiration of the warranty period in order for the repair(s) to be covered by the limited warranty.

“Total Satisfaction” Return Policy (U.S. and Canada Only)

If you are an end-user customer who bought new products directly from a Dell company, you may return them to Dell within 30 days of the date of invoice for a refund or credit of the product purchase price. If you are an end-user customer who bought reconditioned or refurbished products from a Dell company, you may return them to Dell within 14 days of the date of invoice for a refund or credit of the product purchase price. In either case, the refund or credit will not include any shipping and handling charges shown on your invoice. If you are an organization that bought the products under a written agreement with Dell, the agreement may contain different terms for the return of products than specified by this policy.

To return products, you must contact Dell Customer Service to receive a Credit Return Authorization Number. See “Getting Help” in your computer’s online *User’s Guide* to find the appropriate contact information for obtaining customer assistance. To expedite the processing of your refund or credit, Dell expects you to return the products to Dell in their original packaging within five days of the date that Dell issues the Credit Return Authorization Number. You must also prepay shipping charges and insure the shipment or accept the risk of loss or damage during shipment. You may return software for refund or credit only if the sealed package containing the diskette(s) or CD(s) is unopened. Returned products must be in as-new condition, and all of the manuals, diskette(s), CD(s), power cables, and other items included with a product must be returned with it. For customers who want to return, for refund or credit only, either applications software or an operating system that has been installed by Dell, the whole system must be returned, along with any media and documentation that may have been included in the original shipment.

This “Total Satisfaction” Return Policy does not apply to DellWare products, which may be returned under DellWare's then-current return policy. In addition, reconditioned parts purchased through Dell Spare Parts Sales in Canada are nonreturnable.

Station d'accueil C/Dock II Dell™ Latitude™

Guide d'information sur le système



Remarques, avis et précautions



REMARQUE : Une REMARQUE indique des informations importantes qui vous aident à mieux utiliser votre ordinateur.



AVIS : Un AVIS vous avertit d'un risque de dommage matériel ou de perte de données et vous indique comment éviter le problème.



PRÉCAUTION : Une **PRÉCAUTION** vous avertit d'un risque de dommage matériel ou personnel, pouvant être mortel.

Les informations contenues dans ce document sont sujettes à modification sans préavis.

© 2001 Dell Computer Corporation. Tous droits réservés.

Toute reproduction sans l'autorisation écrite de Dell Computer Corporation est strictement interdite.

Marques utilisées dans ce document : *Dell*, le logo *DELL*, *Latitude* et *DellWare* sont des marques de Dell Computer Corporation ; *3Com* est une marque de 3Com Corporation ; *Microsoft*, *Windows* et *Windows NT* sont des marques déposées de Microsoft Corporation.

D'autres marques et noms commerciaux peuvent être utilisés dans ce document pour faire référence aux entités se réclamant de ces marques et de ces noms ou à leurs produits. Dell Computer Corporation dénie tout intérêt propriétaire aux marques et aux noms commerciaux autres que les siens.

Ce produit intègre une technologie de protection des droits d'auteur qui est protégée par des documents de méthode de certains brevets américains et autres droits de propriété intellectuelle détenus par Macrovision Corporation ainsi par que d'autres détenteurs de droits. L'utilisation de cette technologie de protection des droits d'auteur doit être autorisée par Macrovision Corporation et, sauf autorisation contraire de Macrovision Corporation, est limitée à un usage par les particuliers et à d'autres utilisations pour un public restreint. L'ingénierie inverse et le désassemblage sont interdits.

Octobre 2001

Réf. 5G287 Rév. A02

Guide d'information sur le système

Cette documentation comprend des informations sur la mise en route, la sécurité, la réglementation et la garantie relatives à votre station d'accueil C/Dock II Dell Latitude, ainsi que des informations concernant les autres documents Dell disponibles et la façon de vous les procurer.

Autres documents disponibles

- Les mises à jour de documentation, qui sont parfois fournies avec le périphérique d'amarrage et qui décrivent les modifications apportées au périphérique d'amarrage ou au logiciel. Prenez le temps de lire systématiquement ces mises à jour *avant* de consulter d'autres documentations, car elles contiennent souvent les informations les plus récentes.
- La documentation relative aux options que vous avez acquises séparément. Cette documentation contient des informations nécessaires à la configuration et à l'installation de ces options sur votre périphérique d'amarrage.

Obtention de l'aide

Dell fournit un certain nombre d'outils qui vous aideront si votre périphérique d'amarrage ne fonctionne pas de la manière escomptée. Pour obtenir des informations relatives à ces outils d'aide, reportez-vous à la section intitulée « Obtention de l'aide » dans votre *Guide d'utilisation en ligne*.

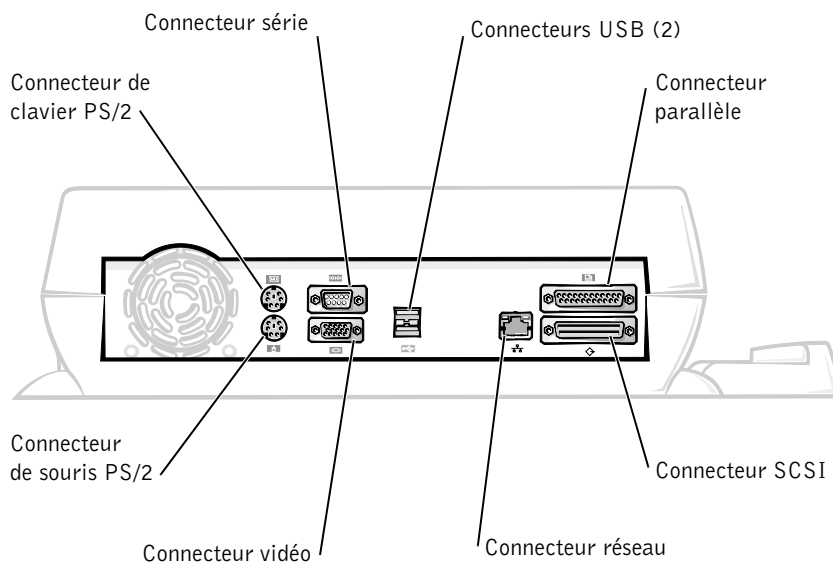
Présentation du périphérique d'amarrage

REMARQUE : Prenez contact avec votre administrateur réseau avant de connecter le périphérique d'amarrage à un réseau.

Vous devez brancher un adaptateur CA/CC sur le périphérique d'amarrage avant d'amarrer l'ordinateur au périphérique d'amarrage et d'allumer l'ordinateur. L'adaptateur CA/CC alimente simultanément le périphérique d'amarrage et l'ordinateur. Toute batterie installée sur l'ordinateur se recharge pendant que vous utilisez le périphérique d'amarrage.









AVIS : Utilisez exclusivement l'adaptateur CA/CC Dell PA-6 livré avec ce périphérique d'amarrage. En cas d'utilisation de tout autre adaptateur CA/CC disponible dans le commerce ou de l'adaptateur CA/CC d'un ancien modèle d'ordinateur Dell, vous pouvez endommager le périphérique d'amarrage ou l'ordinateur.

Panneau d'E/S du périphérique d'amarrage

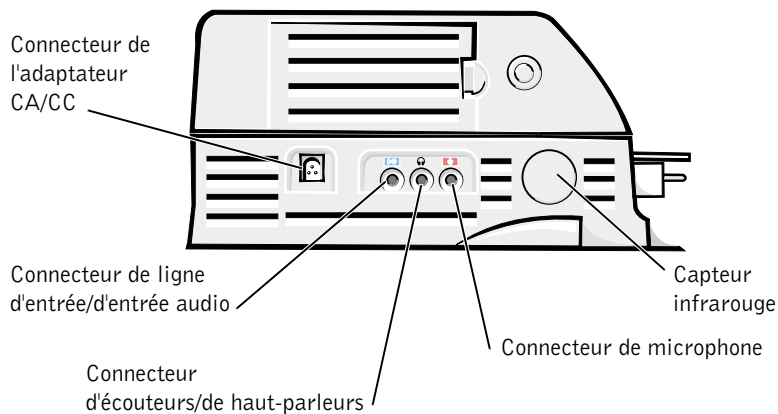


Le tableau « Connecteurs d'E/S externes » présente les icônes de chaque connecteur à l'arrière du périphérique d'amarrage et indique le type de périphérique externe pouvant être branché à chaque connecteur.

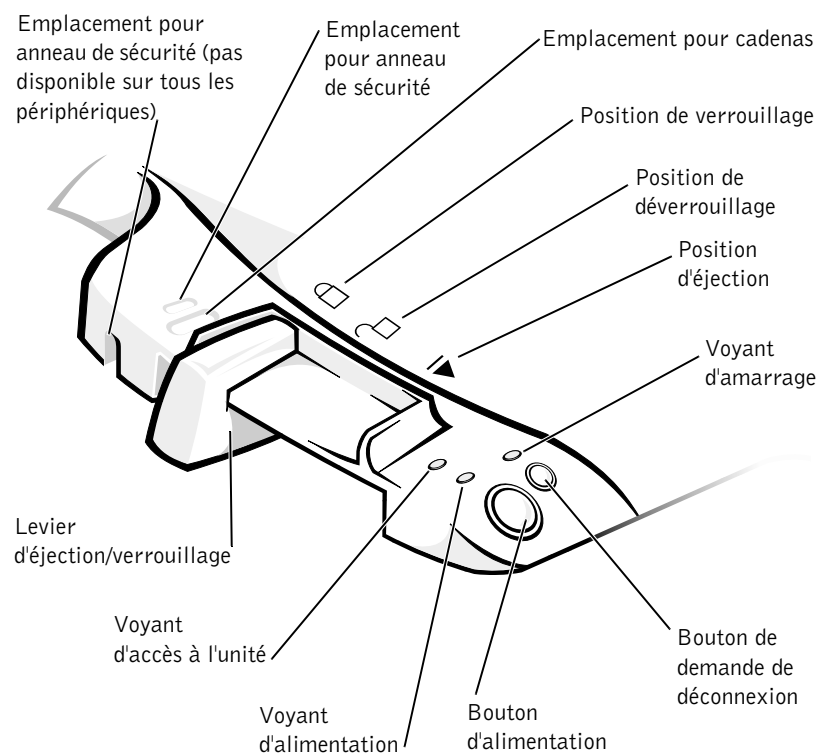
Connecteurs d'E/S externes

Icône du connecteur	Description du connecteur
	Un ou deux périphériques USB, une souris USB par exemple, peuvent être connectés au double connecteur USB.
	Un clavier externe de style PS/2 ou un pavé numérique externe se connecte au connecteur de clavier PS/2.
	Une souris externe de style PS/2 se connecte au connecteur de souris PS/2.
	Un périphérique série, tel qu'une souris série ou un modem externe, se connecte au connecteur du port série.
	Un câble d'interface réseau se connecte au connecteur NIC.
	Un périphérique parallèle, tel qu'une imprimante, se connecte au connecteur du port parallèle.
	Un moniteur externe se connecte au connecteur vidéo.
	L'adaptateur CA/CC fourni avec le périphérique d'amarrage se connecte au connecteur de l'adaptateur CA/CC.

Connecteurs audio et capteur infrarouge



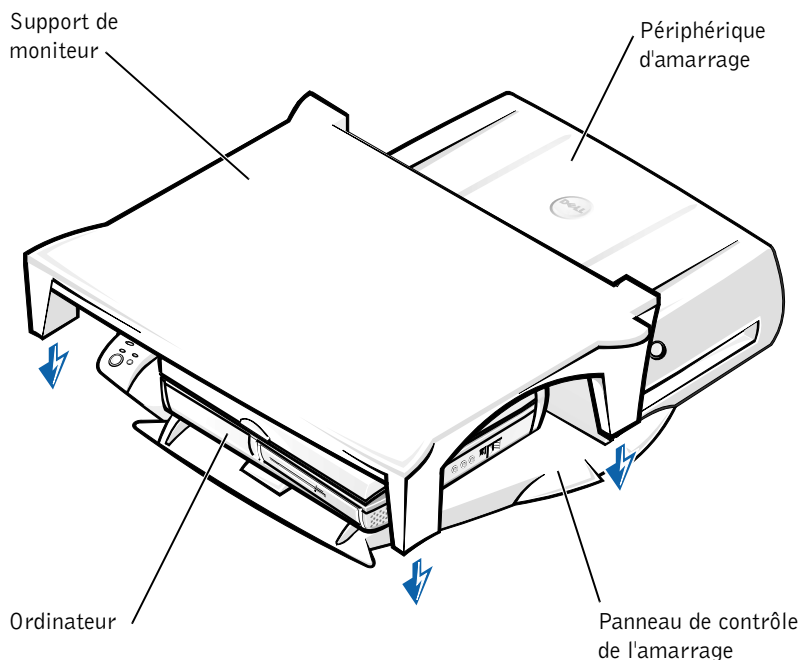
Commandes et voyants du panneau de contrôle de l'amarrage




Support de moniteur

- ➔ **AVIS :** Le support accepte des moniteurs pouvant peser jusqu'à 45,3 kilogrammes. Des moniteurs plus lourds peuvent endommager le support, l'ordinateur et le périphérique d'amarrage.

Périphérique d'amarrage avec le support de moniteur



-  **REMARQUE :** Assurez-vous que les pieds arrière du support du moniteur s'enclenchent dans les emplacements prévus à cet effet de chaque côté du panneau de contrôle de l'amarrage.

Avant d'amarrer l'ordinateur

Si votre ordinateur fonctionne sous Microsoft® Windows® 9x, Windows NT® ou Windows Millennium (Me), vous devez commencer par rechercher les pilotes d'amarrage existants sur votre ordinateur. Si votre ordinateur ne possède pas de pilotes d'amarrage, procédez à leur installation préalablement au tout premier amarrage de l'ordinateur. Pour installer les pilotes d'amarrage, suivez la procédure indiquée dans la section « Installation des pilotes d'amarrage ».



REMARQUE : Si votre ordinateur fonctionne sous Windows XP ou Windows 2000, les pilotes s'installent automatiquement et vous n'avez par conséquent pas besoin de suivre la procédure indiquée dans la section « Installation des pilotes d'amarrage ». Passez directement à la section « Amarrage de l'ordinateur ».

Recherche de pilotes d'amarrage existants sur l'ordinateur

- 1 Double-cliquez sur **My Computer (Poste de travail)**.
- 2 Double-cliquez sur **Control Panel (Panneau de configuration)**.
- 3 Double-cliquez sur **Add/Remove Programs (Ajout/Suppression de programmes)**.
- 4 Recherchez les pilotes d'amarrage appropriés dans la liste des programmes.

*Si votre ordinateur fonctionne sous Windows 9x ou sous Windows Me, recherchez le pilote portant la mention **Quick Install** dans son nom. Par exemple : Dell Dock Quick Install pour Windows.*

*Si votre ordinateur fonctionne sous Windows NT, recherchez la mention **NT Softex Docking Services**.*

Si votre ordinateur ne possède pas de pilotes d'amarrage, passez à la section suivante « Installation des pilotes d'amarrage ». Si votre ordinateur possède des pilotes d'amarrage, passez à la section intitulée « Amarrage de l'ordinateur ».

Installation des pilotes d'amarrage

Vous pouvez procéder à l'installation des pilotes d'amarrage de l'une des façons suivantes :

- Installez les pilotes à partir du CD *ResourceCD* ou *Pilotes et utilitaires* livré avec l'ordinateur ou le périphérique d'amarrage.
- Téléchargez les pilotes à partir du site Web d'assistance de Dell.

Installation des pilotes d'amarrage à partir du CD *ResourceCD* ou *Pilotes et utilitaires*

- 1 Insérez le CD *ResourceCD* ou *Pilotes et utilitaires* dans le lecteur de CD.

La plupart du temps, le CD s'exécute automatiquement. Si ce n'est pas le cas, démarrez l'Explorateur Windows, cliquez sur le répertoire du lecteur de CD pour afficher le contenu du CD, puis double-cliquez sur le fichier d'application **autorcd**. Si l'écran d'accueil apparaît, cliquez sur **Next (Suivant)**. La première fois que vous exécutez le CD, il peut vous inviter à installer certains fichiers de configuration. Cliquez sur **OK** et suivez les invites à l'écran pour continuer.

- 2 Dans le menu déroulant **Language (Langue)** de la barre d'outils, sélectionnez une langue pour le pilote (si disponible).

Un écran d'accueil apparaît.

- 3 Cliquez sur **Suivant**.

- 4 Sous **Search Criteria (critères de recherche)**, sélectionnez les catégories appropriées dans les menus déroulants **System Model (modèle de système)** et **Operating System (Système d'exploitation)**.

Si votre ordinateur fonctionne sous Windows 9x ou Windows Me, sélectionnez **System Utilities (Utilitaires système)** dans le menu déroulant **Device Type (Type de périphérique)**, puis sélectionnez **Drivers (Pilotes)** dans le menu déroulant **Topic (Sujet)**.

Si votre ordinateur fonctionne sous Windows NT, sélectionnez **Utilitaires système** dans le menu déroulant **Type de périphérique**, puis sélectionnez **Utilities (Utilitaires)** dans le menu déroulant **Sujet**.

Un ou plusieurs liens apparaissent pour les pilotes ou les utilitaires spécifiques utilisés par votre ordinateur.

- 5 Si votre ordinateur fonctionne sous Windows 9x ou Windows Me, cliquez le lien pour l'utilitaire **Dell Dock Quick Install**.

Le fichier **Dell Dock Quick Install** désigne un utilitaire qui installe les pilotes d'amarrage correspondants sur votre ordinateur.

Si votre ordinateur fonctionne sous Windows NT, cliquez sur le lien pour l'utilitaire **Softex Docking Services**.

- 6 Cliquez sur le bouton **Install (Installer)** pour lancer l'installation automatique. Lorsque l'écran d'accueil apparaît, suivez les invites pour exécuter l'installation.



REMARQUE : Sur certains CD ResourceCD, vous devez parcourir les dossiers afin de trouver le pilote approprié. Pour obtenir des instructions complètes sur la réinstallation de pilotes, reportez-vous au *Guide d'utilisation*.

Installation des pilotes d'amarrage à partir du site Web d'assistance de Dell

- 1 Ouvrez la page de support du site Web de Dell à l'adresse <http://support.dell.com>. Si c'est la première fois que vous visitez ce site Web, sélectionnez votre pays en cliquant sur la carte qui apparaît.

La page **Welcome to support.dell.com (Bienvenue sur support.dell.com)** s'ouvre.

- 2 Entrez les informations propres à votre périphérique d'amarrage, puis cliquez sur **Go! (Aller !)**.

Cliquez sur **Downloads For Your Dell (téléchargements pour votre ordinateur Dell)**.

La fenêtre **Downloads For Your Dell (téléchargements pour votre ordinateur Dell)** apparaît. Elle comporte un petit formulaire que vous devez remplir.

- 3 Entrez le code de maintenance de votre système ou sélectionnez votre système Dell.

- 4 Sélectionnez votre système d'exploitation et sa version linguistique.
- 5 Sélectionnez **System and Configuration Utilities (utilitaires système et utilitaires de configuration)** comme catégorie de téléchargement.
- 6 Cliquez sur **Go! (Aller !)**.
- 7 *Si votre ordinateur fonctionne sous Windows 9x ou Windows Me,* recherchez le lien pour l'utilitaire **Dell Dock QuickInstall** et cliquez dessus.

Si votre ordinateur fonctionne sous Windows NT, recherchez le lien pour l'utilitaire **Softex Docking Services** et cliquez dessus.

- 8 Suivez les instructions affichées à l'écran pour télécharger et installer les pilotes correspondants.

Après avoir téléchargé les fichiers et avant d'installer les pilotes, consultez le fichier **readme.txt** téléchargé afin de disposer d'informations essentielles sur l'installation.

Amarrage de l'ordinateur

Si vous connectez un moniteur au périphérique d'amarrage et que vous allumez le moniteur, une image s'affiche sur l'écran de ce moniteur. Pour passer de cette image à l'affichage de l'ordinateur ou à l'affichage à la fois du moniteur et de l'ordinateur, appuyez sur les touches <Fn><F8>.

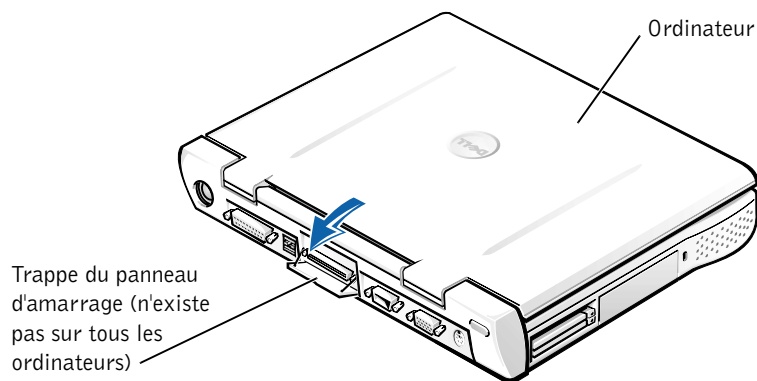
Lorsque vous amarrez l'ordinateur au périphérique d'amarrage et que vous allumez l'ordinateur, le voyant d'alimentation vert du panneau de contrôle de l'amarrage s'allume (reportez-vous à la section intitulée « Commandes et voyants du panneau de contrôle de l'amarrage »).

➔ **AVIS :** Pour éviter toute perte de données, enregistrez tout fichier ouvert avant de procéder à l'amarrage de l'ordinateur.

➔ **AVIS :** Si la carte vidéo PCI est installée dans le périphérique d'amarrage, éteignez l'ordinateur avant de procéder à tout amarrage ou déconnexion afin d'éviter toute perte de données.

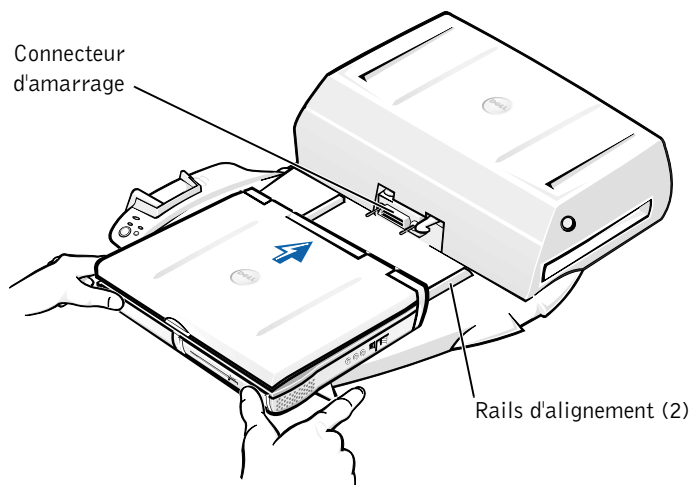
- 1 Enregistrez et fermez tous les fichiers, quittez toutes les applications, quittez le système d'exploitation et éteignez l'ordinateur.
- ➔ **AVIS :** Pour éviter d'endommager le connecteur d'amarrage, ouvrez la trappe du panneau d'amarrage préalablement à toute tentative d'amarrage de l'ordinateur au périphérique d'amarrage.
- 2 Ouvrez la trappe du panneau d'amarrage située à l'arrière de l'ordinateur, le cas échéant.

Trappe du panneau d'amarrage de l'ordinateur



- 3 Si vous utilisez le périphérique d'amarrage avec un support de moniteur, fermez l'écran de l'ordinateur.
- 4 Assurez-vous que le levier d'éjection/verrouillage est en position de déverrouillage.
- 5 Amarrez l'ordinateur au périphérique d'amarrage en procédant comme indiqué ci-dessous.

Amarrage de l'ordinateur



- a Centrez l'ordinateur horizontalement sur le socle du périphérique d'amarrage, l'arrière de l'ordinateur vers le connecteur d'amarrage du périphérique, comme indiqué dans la section « Amarrage de l'ordinateur ».
- b Faites glisser l'ordinateur vers le connecteur jusqu'à ce que vous sentiez les rainures situées sous l'ordinateur s'enclencher dans les rails d'alignement.

- ➔ **AVIS :** Si vous tentez de pousser l'ordinateur complètement dans le périphérique d'amarrage sans l'enclencher dans les rails d'alignement, vous risquez d'endommager de façon irréparable le connecteur d'amarrage de l'ordinateur.
 - ➔ **AVIS :** Ne soulevez pas l'ordinateur ni le périphérique d'amarrage séparément lorsqu'ils sont amarrés, car vous risquez d'endommager les connecteurs de l'ordinateur et du périphérique d'amarrage.
 - ➔ **AVIS :** En cas d'utilisation d'un moniteur avec un support, retirez le moniteur du support avant de mettre en place le panneau de contrôle de l'amarrage.
- c Poussez doucement l'ordinateur vers l'avant jusqu'à ce que le connecteur d'amarrage soit totalement enclenché.

Tout premier amarrage sous Windows XP et Windows 2000

- 1 Amarrez l'ordinateur et mettez-le sous tension.
- 2 Appuyez sur la touche <F2> au cours de la procédure d'amorçage du système pour afficher le programme de configuration du système.
- 3 Définissez **IRQ d'amarrage** sur **Optimisé**.
- 4 Définissez **Connexion universelle** sur **Activée**.
- 5 Quittez le programme de configuration du système.

Votre système poursuivra la procédure d'amorçage.

Sous Windows 2000, l'Assistant **Ajout de nouveau matériel** s'affiche.



REMARQUE : *Sous Windows XP*, le système d'exploitation installe automatiquement les pilotes en arrière-plan. *Sous Windows 2000*, l'Assistant Ajout de nouveau matériel installe automatiquement les pilotes.



REMARQUE : Sous Windows XP et Windows 2000, pour réinstaller des pilotes ou assurer l'installation des meilleurs pilotes, consultez la section « Mise à jour des pilotes sous Windows XP, Windows 2000 ou Windows Me » plus loin dans ce document.

Tout premier amarrage sous Windows Me

- 1 Amarrez l'ordinateur et mettez-le sous tension.
- 2 Appuyez sur la touche <F2> au cours de la procédure d'amorçage du système pour afficher le programme de configuration du système.
- 3 Définissez **IRQ d'amarrage** sur **Optimisé**.
- 4 Définissez **Connexion universelle** sur **Activée**.
- 5 Quittez le programme de configuration du système.

Votre système poursuivra la procédure d'amorçage.

L'Assistant **Ajout de nouveau matériel** s'affiche.

- 6 Sélectionnez **Search for the Best Driver for Your Device (Recommended)** [Rechercher le meilleur pilote pour votre périphérique (Recommandé)] et cliquez sur **Suivant**.
- 7 Cliquez sur **Suivant**.

- 8 Suivez les indications figurant dans la fenêtre **Assistant Ajout de nouveau matériel**.
- 9 À chaque invite, sélectionnez **Rechercher le meilleur pilote pour votre périphérique (Recommandé)** et cliquez sur **Suivant**.
- 10 Continuez à suivre les indications pour terminer l'installation.
Le bureau Windows s'affiche et l'installation est terminée.

Tout premier amarrage sous Windows NT 4.0

- 1 Amarrez l'ordinateur et mettez-le sous tension.
- 2 Appuyez sur la touche <F2> au cours de la procédure d'amorçage du système ou appuyez sur <Fn><F1> une fois l'ordinateur démarré pour accéder au programme de configuration du système.
- 3 Définissez **IRQ d'amarrage** sur **Optimisé**.
- 4 Définissez **Connexion universelle** sur **Activée**.
- 5 Quittez le programme de configuration du système.
- 6 Appuyez sur les touches <Ctrl><Alt><Suppr> pour ouvrir une session.

La fenêtre **Docking Station Setup (configuration de la station d'accueil)** s'affiche et indique que l'ordinateur doit être déconnecté pour pouvoir continuer.
- 7 Cliquez sur **OK** et patientez pendant que l'ordinateur s'éteint.
- 8 Déconnectez l'ordinateur (reportez-vous à la section « Déconnexion de l'ordinateur »).

L'ordinateur redémarre automatiquement. Dans le cas contraire, rallumez-le manuellement.
- 9 Sélectionnez **OK** lorsque la fenêtre **Device Removal (retrait du périphérique)** s'affiche.
- 10 Cliquez sur le bouton **Start (Démarrer)**, puis sur **Shut Down (Arrêter)**.
- 11 Patientez pendant que l'ordinateur s'éteint complètement et ré amarrez l'ordinateur au périphérique d'amarrage.

L'ordinateur redémarre automatiquement. Dans le cas contraire, rallumez-le manuellement.

- 12** Appuyez sur les touches <Ctrl><Alt><Suppr> pour ouvrir une session.
L'ordinateur détecte automatiquement le nouveau périphérique.
- 13** À chaque invite, sélectionnez **Installer le pilote fourni pour le système destiné au périphérique sélectionné (recommandé)** et cliquez sur **OK**.
- 14** Cliquez sur **Continuer (continuer)** lorsque la fenêtre **Windows NT Setup (Installation de Windows NT)** s'affiche.
- 15** Sélectionnez **Installer le pilote fourni pour le système destiné au périphérique sélectionné (recommandé)** et cliquez sur **OK**.
- 16** Sélectionnez le nom de votre NIC (Network Interface Controller [Contrôleur d'interface réseau]) dans le menu déroulant.
- 17** Indiquez si la carte réseau doit obtenir une adresse IP auprès d'un serveur ou si une adresse IP doit être spécifiée.
En cas d'hésitation, consultez votre administrateur système.
- 18** Suivez les indications pour terminer l'installation.

Le bureau Windows s'affiche et l'installation est terminée.

L'ordinateur ne peut pas entrer en mode suspension sur disque pendant qu'il est amarré.

Tout premier amarrage sous Windows 98

- 1** Amarrez l'ordinateur et mettez-le sous tension.
- 2** Appuyez sur la touche <F2> au cours de la procédure d'amorçage du système ou appuyez sur <Fn><F1> une fois l'ordinateur démarré pour accéder au programme de configuration du système.
- 3** Définissez **IRQ d'amarrage** sur **Optimisé**.
- 4** Définissez **Connexion universelle** sur **Activée**.
- 5** Quittez le programme de configuration du système.
- 6** Si la fenêtre **Définir la configuration** s'affiche, cliquez sur **OK**.
L'**Assistant Ajout de nouveau matériel** s'affiche.
- 7** Cliquez sur **Suivant**.

- 8 Sélectionnez **Search for the Best Driver for Your Device (Recommended)** [Rechercher le meilleur pilote pour votre périphérique (Recommandé)] et cliquez sur **Suivant**.
- 9 Désélectionnez toutes les options et cliquez sur **Suivant**.
Une fenêtre, indiquant que Windows est prêt à rechercher le meilleur pilote pour votre périphérique, s'affiche.
- 10 Suivez les indications figurant dans la fenêtre **Assistant Ajout de nouveau matériel**.
- 11 À chaque invite, sélectionnez **Rechercher le meilleur pilote pour votre périphérique (Recommandé)** et cliquez sur **Suivant**.
- 12 Continuez à suivre les indications pour terminer l'installation.

Le bureau Windows s'affiche et l'installation est terminée.

Tout premier amarrage sous Windows 95

- 1 Amarrez l'ordinateur et mettez-le sous tension.
- 2 Appuyez sur la touche <F2> au cours de la procédure d'amorçage du système ou appuyez sur <Fn><F1> une fois l'ordinateur démarré pour accéder au programme de configuration du système.
- 3 Définissez **IRQ d'amarrage** sur **Optimisé**.
- 4 Définissez **Connexion universelle** sur **Activée**.
- 5 Quittez le programme de configuration du système.
L'ordinateur détecte automatiquement le nouveau périphérique.
- 6 Cliquez sur **Oui** lorsque la fenêtre **Modification des paramètres système** s'affiche.
L'ordinateur redémarre et détecte automatiquement le nouveau périphérique.
- 7 Si la fenêtre **Définir la configuration** s'affiche, cliquez sur **OK**.
- 8 Cliquez sur **OK** lorsque la fenêtre **Network (réseau)** s'affiche.
- 9 Sélectionnez l'onglet **Identification** dans la fenêtre **Réseau** suivante.

- 10** Saisissez un **Computer Name (nom d'ordinateur)** et un **Workgroup (groupe de travail)** identifiant l'ordinateur sur le réseau, puis cliquez sur **Close (Fermer)**.

Si vous n'êtes pas sûr du **Nom d'ordinateur** et du **Groupe de travail** à saisir, contactez votre administrateur système.



REMARQUE : Vous devez saisir un **Nom d'ordinateur** et un **Groupe de travail** pour procéder à l'installation des pilotes.

L'ordinateur copie automatiquement les fichiers et crée une base de données sur les pilotes.

- 11** Cliquez sur **Oui** lorsque la fenêtre **Modification des paramètres système** s'affiche.

L'ordinateur redémarre.

La fenêtre **Enter Network Password (saisir un mot de passe réseau)** s'affiche. Si vous ne souhaitez pas définir un nom d'utilisateur et un mot de passe à ce stade ou si votre administrateur système ne vous les a pas encore fournis, cliquez sur **Cancel (Annuler)**.

L'ordinateur détecte automatiquement le nouveau périphérique.

- 12** Cliquez sur **OK** lorsque la fenêtre **Définir la configuration** s'affiche.

Le bureau Windows s'affiche et l'installation est terminée.



REMARQUE : Pour pouvoir utiliser les connecteurs USB, vous devez installer un supplément USB figurant sur le CD *ResourceCD*, dans le répertoire **Win95\OSUpdate**. Si vous installez ce supplément USB, l'ordinateur ne peut plus entrer en mode suspension. Dell vous recommande de ne pas installer de supplément USB sauf si vous envisagez d'utiliser des périphériques USB.

Mise à jour des pilotes sous Windows XP et Windows 2000

Pour mettre à jour les pilotes sous Windows XP et Windows 2000 :

- 1** Cliquez avec le bouton droit sur **My Computer (Poste de travail)** et cliquez sur **Manage (Gérer)**. (Sous Windows XP, cliquez sur le bouton **Démarrer** pour accéder au **Poste de travail**. Sous Windows 2000, le **Poste de travail** se trouve sur le bureau Windows.)
- 2** Dans la fenêtre **Computer Management (Gestion de l'ordinateur)**, cliquez sur **Device Manager (Gestionnaire de périphériques)**, puis double-cliquez sur **Network adapters (Cartes réseau)**.

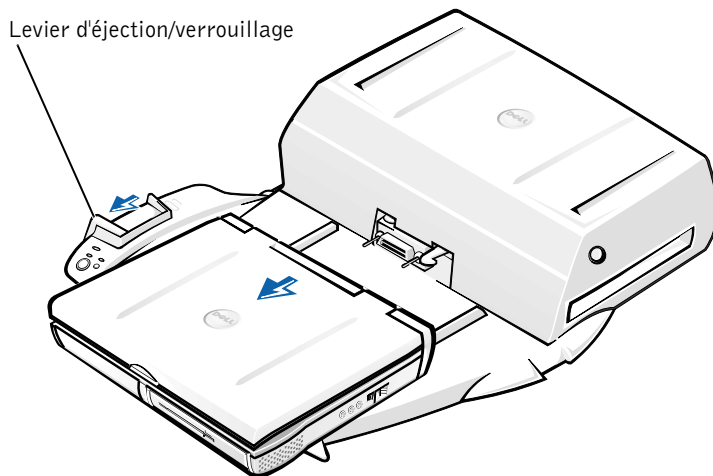
- 3 Double-cliquez sur **3Com 3C920 Integrated Fast Ethernet Controller** (contrôleur Fast Ethernet intégré 3Com 3C920).
- 4 Cliquez sur l'onglet **Pilote**.
- 5 Cliquez sur **Mettre à jour le pilote...** et suivez les invites à l'écran.

Mise à jour des pilotes sous Windows Me

Pour mettre à jour les pilotes sous Windows Me :

- 1 Cliquez avec le bouton droit sur **Poste de travail**, sur le bureau, puis cliquez sur **Propriétés (Propriétés)**.
- 2 Dans la fenêtre **System Properties (propriétés système)**, cliquez sur l'onglet **Gestionnaire de périphériques**, puis double-cliquez sur **Cartes réseau**.
- 3 Double-cliquez sur **3Com 3C920 Integrated Fast Ethernet Controller** (contrôleur Fast Ethernet intégré 3Com 3C920).
- 4 Cliquez sur l'onglet **Pilote**.
- 5 Cliquez sur **Mettre à jour le pilote...** et suivez les invites à l'écran.

Déconnexion de l'ordinateur



- ➔ **AVIS :** Si l'ordinateur n'est pas alimenté par une batterie, l'ordinateur s'éteindra lorsque vous le déconnecterez et toutes les données non enregistrées seront perdues.
- ➔ **AVIS :** Ne déconnectez jamais un ordinateur sans avoir préalablement préparé l'ordinateur en conséquence. Si vous déconnectez l'ordinateur sans l'y avoir préalablement préparé, vous allez perdre toutes vos données et l'ordinateur risque de ne pas reprendre un fonctionnement normal pendant plusieurs minutes, voire plus du tout.

Pour préparer l'ordinateur pour la déconnexion, suivez l'une des procédures ci-dessous.

- Appuyez sur les touches <Fn><Echap> du clavier de l'ordinateur (ou sur les touches <Arrêt défil><Echap> d'un clavier externe).

Patiencez pendant quelques secondes, jusqu'à ce que le voyant d'alimentation de l'ordinateur s'éteigne.

- *Sous Windows XP*, cliquez sur le bouton **Démarrer**, puis sur **Undock Computer (Déconnecter l'ordinateur)**.

Sous Windows 95, Windows 98, Windows Me ou Windows 2000, cliquez sur le bouton **Démarrer**, puis sur **Eject PC (Éjecter le PC)**.

Sous Windows NT, cliquez sur l'icône d'amarrage de la barre des tâches, puis cliquez sur **Undock (déconnecter)** pour placer l'ordinateur en mode suspension.

Patiencez pendant quelques secondes, jusqu'à ce que le voyant d'alimentation de l'ordinateur s'éteigne.

- Appuyez sur le bouton de demande de déconnexion sur le panneau de contrôle de l'amarrage (reportez-vous à la figure « Commandes et voyants du panneau de contrôle de l'amarrage »). Patiencez pendant que le voyant d'amarrage vert s'éteint.

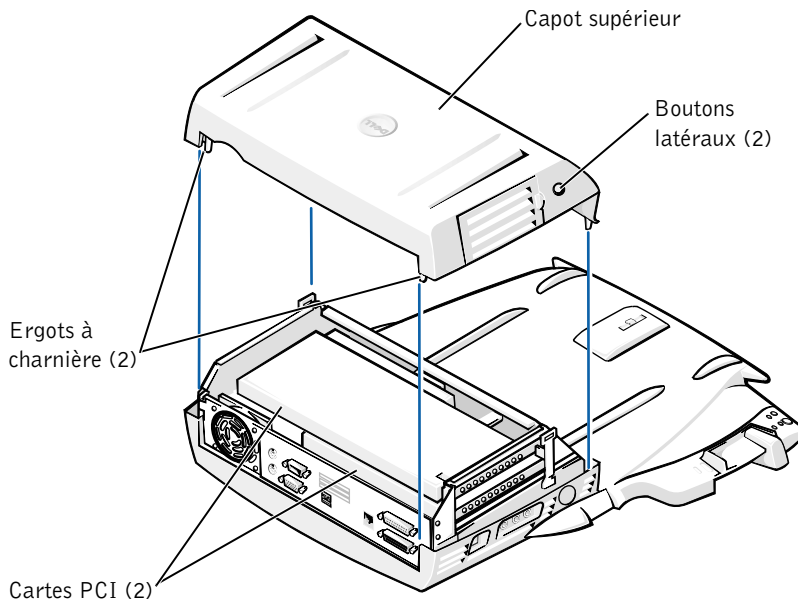
Remplacement de la batterie

Votre périphérique d'amarrage utilise une batterie au lithium-ion. La durée de vie de cette batterie au lithium-ion est telle qu'il est fort probable que vous n'ayez jamais besoin de la remplacer. Si vous êtes toutefois amené à la remplacer, procédez comme indiqué ci-dessous.

⚠ PRÉCAUTION : Une nouvelle batterie mal installée risque d'exploser. Remplacez la batterie uniquement par une batterie de type identique ou équivalent à celui recommandé par le fabricant. Jetez les batteries usagées selon les instructions données par le fabricant.

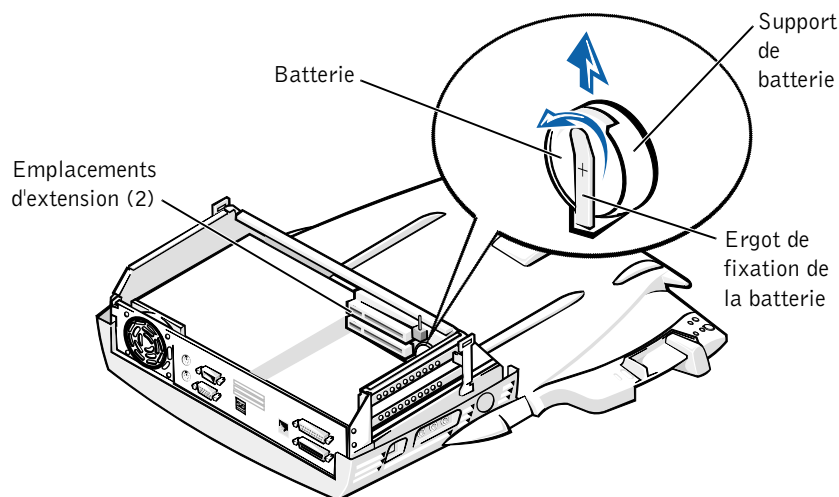
- 1 Déconnectez l'ordinateur du périphérique d'amarrage, comme décrit dans la section « Déconnexion de l'ordinateur ».
- 2 Éteignez le bouton d'alimentation du périphérique d'amarrage et débranchez l'adaptateur CA/CC.
- 3 Retirez le capot supérieur en appuyant sur les deux boutons latéraux et en faisant pivoter le capot vers l'arrière de la station d'accueil (reportez-vous à la section « Retrait du capot supérieur »). Lorsque le capot est à la verticale, débloquez les ergots à charnière et retirez complètement le capot.

Retrait du capot supérieur



- 4 Retirez toutes les cartes présentes dans les emplacements d'extension.

Remplacement de la batterie



- 5 Soulevez légèrement l'ergot de fixation de la batterie et retirez la batterie de son support.
- 6 Tenez la nouvelle batterie avec la face portant la mention « + » orientée vers le haut. Insérez ensuite la batterie dans le support et relâchez l'ergot de fixation.

Ne jetez pas la batterie usagée avec les ordures ménagères. Contactez le service municipal de traitement des déchets pour connaître l'adresse du site de dépôt de batteries le plus proche de votre domicile.

Retrait et installation d'une carte d'extension PCI

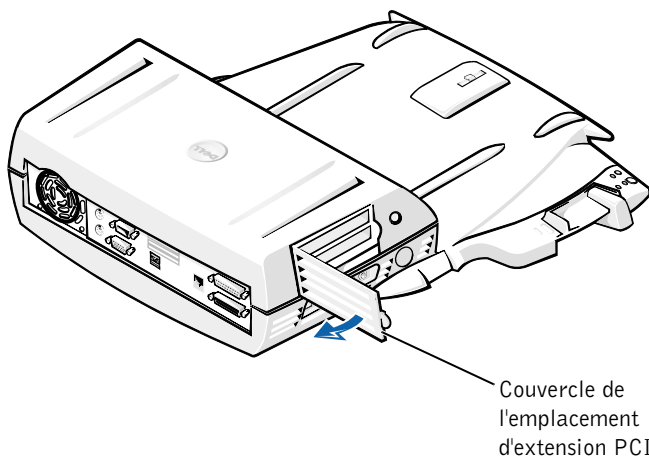
Pour installer une carte d'extension PCI (Peripheral Component Interconnect) dans le périphérique d'amarrage, procédez comme suit.

REMARQUE : N'insérez pas de cartes d'extension PCI de 3,3 ou 5 volts d'une taille supérieure à 25,4 centimètres (cm) dans l'emplacement supérieur et d'une taille supérieure à 15,5 cm dans l'emplacement inférieur.

➔ AVIS : Ne touchez ni ne manipulez aucun élément à l'intérieur du périphérique d'amarrage mis à part les objets mentionnés dans la procédure ci-après. Si vous touchez d'autres objets, vous risquez d'endommager le périphérique d'amarrage et d'annuler la garantie.

- 1 Enregistrez et fermez tous les fichiers, quittez toutes les applications et quittez le système d'exploitation.
- 2 Éteignez l'ordinateur.
- 3 Retirez le moniteur de son support. Retirez le support du moniteur du périphérique d'amarrage.
- 4 Déconnectez votre ordinateur et assurez-vous que le levier d'éjection/verrouillage est en position de déverrouillage.
- 5 Déconnectez tous les câbles, y compris le câble de l'adaptateur CA/CC, du périphérique d'amarrage. Assurez-vous que le levier d'éjection/verrouillage n'est pas en position arrière/verrouillage.
- 6 Appuyez sur le loquet du couvercle de l'emplacement d'extension PCI et retirez-le. Reportez-vous à la figure suivante.

Couvercle de l'emplacement d'extension PCI et connecteur de carte d'extension



- 7** Retirer le capot supérieur en appuyant sur les deux boutons latéraux et en faisant pivoter le capot vers la partie arrière du périphérique d'amarrage. Lorsque vous avez fait pivoter le capot vers l'arrière, débloquez les ergots à charnière de l'arrière du périphérique d'amarrage et retirez complètement le capot.

Reportez-vous à la figure « Retrait du capot supérieur ».

- 8** Retirez la vis retenant le support de montage vide et mettez-la de côté pour l'utiliser plus tard.

Retirez le support de montage vide. Si une carte PCI est installée, retirez-la en la saisissant par les angles extérieurs et en la faisant glisser délicatement hors du connecteur.

- 9** Installez une carte d'extension PCI.

- a** Insérez fermement le connecteur de bord de carte dans le connecteur de carte d'extension.
- b** Poussez doucement la carte dans le connecteur jusqu'à ce qu'elle soit bien en place.

- 10** Revissez la vis dans le support de carte PCI pour fixer la carte PCI.

- 11** Remettez le capot supérieur en place en enclenchant tout d'abord les languettes de charnière et en abaissant délicatement le capot supérieur pour le mettre en place. Le capot supérieur est correctement aligné lorsque vous entendez un clic vous avertissant que les boutons latéraux sont en place.

- 12** Reconnectez les câbles, y compris le câble de l'adaptateur CA/CC, déconnectés lors de l'étape 5.


- 13** Connectez l'ordinateur.

- 14** Remettez le support de moniteur sur le périphérique d'amarrage et le moniteur sur le support.


- 15** Allumez l'ordinateur.

- 16** Installez les pilotes pour la carte PCI.

Si vous avez reçu une carte réseau pour adaptateur PCI 16/4 Token-Ring avec le périphérique d'amarrage, Dell a inclus un CD-ROM contenant les pilotes et des instructions d'installation.


 **REMARQUE :** Si vous installez des pilotes de réseau pour une carte réseau pour adaptateur PCI 16/4 Token-Ring, connectez l'ordinateur au réseau avant d'installer les pilotes. Prenez contact avec votre administrateur réseau avant de connecter le périphérique d'amarrage à un réseau.


Si vous utilisez une carte PCI qui n'a pas été achetée chez Dell, utilisez les pilotes et les instructions fournis avec cette carte.

 **REMARQUE :** La carte réseau pour adaptateur PCI 16/4 Token-Ring installée par Dell a été testée afin de pouvoir être utilisée avec la station d'accueil C/Dock II. Bien qu'il vous soit possible d'installer d'autres cartes d'extension PCI, Dell ne saurait garantir leur fonctionnement.


Utilisation de la baie de périphériques C/Dock II

Vous pouvez utiliser un périphérique multimédia quelconque provenant de votre ordinateur (un lecteur de disquettes ou de CD) dans la baie des périphériques de la station d'accueil C/Dock II.

 **AVIS :** Pour éviter d'endommager le périphérique d'amarrage ou le périphérique multimédia, n'installez aucun périphérique que vous n'utilisez pas habituellement dans votre ordinateur dans la baie des périphériques.

 **AVIS :** Pour éviter d'endommager le périphérique d'amarrage, n'installez pas le module de voyage ni la batterie provenant de l'ordinateur portable Dell Latitude dans la baie des périphériques.

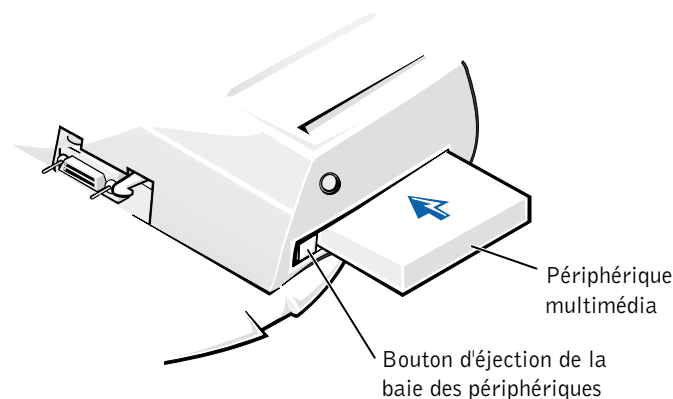
Pour installer un périphérique multimédia de l'ordinateur dans la baie des périphériques du périphérique d'amarrage, suivez la procédure ci-après.

 **REMARQUE :** Le levier d'éjection/verrouillage doit être dans la position de déverrouillage avant que vous puissiez installer un périphérique multimédia.

- 1 Enregistrez et fermez tous les fichiers, quittez toutes les applications et quittez le système d'exploitation.
- 2 Éteignez l'ordinateur.
- 3 Retirez tous les périphériques multimédias de la baie des périphériques du périphérique d'amarrage.

Appuyez sur le bouton d'éjection de la baie des périphériques (reportez-vous à la section « Installation d'un périphérique multimédia dans la baie de périphériques »). Une fois le périphérique partiellement sorti de la baie des périphériques, retirez-le délicatement.

Installation d'un périphérique multimédia dans la baie des périphériques



- 4 Insérez le périphérique multimédia désiré dans la baie des périphériques du périphérique d'amarrage (reportez-vous à la figure « Installation d'un périphérique multimédia dans la baie des périphériques »).
- 5 Insérez fermement le périphérique.
Si vous installez le périphérique correctement, vous devez entendre un clic.

Si vous n'installez pas le périphérique correctement, il sera branlant à l'intérieur de la baie des périphériques. Réinstallez le périphérique.
- 6 Allumez l'ordinateur.

Installation d'un périphérique multimédia sous Microsoft Windows NT 4.0 avec l'utilitaire Softex Docking Services

Avec l'utilitaire Softex Docking Services, Windows NT permet de changer à chaud les périphériques dans la baie des périphériques. Pour plus d'informations reportez-vous à la section « Windows NT: Amarrage avec Softex Docking Services » et au *Guide d'utilisation de Softex Docking Services* à l'adresse <http://support.dell.com>.

Fixation de la station d'accueil C/Dock

Caractéristiques de sécurité

Le périphérique d'amarrage possède les caractéristiques de sécurité suivantes :

- Un levier d'éjection/verrouillage qui vous permet de fixer et d'éjecter votre ordinateur. La position arrière fixe l'ordinateur à la station d'accueil C/Dock II. La position du milieu vous permet d'utiliser le périphérique d'amarrage sans le fixer. La position avant permet d'éjecter l'ordinateur du périphérique d'amarrage. Mettez le levier d'éjection/verrouillage en position arrière pour utiliser le cadenas et l'emplacement de l'anneau de sécurité.
- Un loquet à ressort situé à l'avant du panneau qui s'ajuste dans un emplacement de sécurité sous l'ordinateur fixe l'ordinateur au panneau de contrôle de l'amarrage. Tous les ordinateurs portables Dell ne comportent pas d'emplacement de sécurité.
- Un capot supérieur sécurisé qui empêche le retrait de la carte PCI (Peripheral Card Interconnect).
- Un bouton d'éjection de la baie des périphériques sécurisé qui empêche le retrait des périphériques de la baie des périphériques.
- Un loquet d'accrochage immobilisé pour décourager le retrait de l'ordinateur sans autorisation.

Fixation de la station d'accueil C/Dock II

Pour fixer le périphérique d'amarrage, utilisez l'une des méthodes ci-après :

- Utilisez un cadenas seul ou un cadenas relié à un câble de sécurité à boucle dans l'emplacement de cadenas (voir la figure de dans « Commandes et voyants du panneau de contrôle de l'amarrage ») sur le périphérique d'amarrage.

Un cadenas seul bloque le levier d'éjection et complique le retrait de l'ordinateur du périphérique d'amarrage.

Un câble de sécurité à boucle enroulé autour d'un objet stationnaire et utilisé conjointement avec le cadenas peut empêcher le déplacement de l'ordinateur et de la station d'accueil C/Dock II sans autorisation.

- Installez un dispositif antivol vendu dans le commerce dans l'emplacement du verrou de sécurité (voir la figure de dans « Commandes et voyants du panneau de contrôle de l'amarrage ») sur le périphérique d'amarrage.

Des dispositifs antivol pour ordinateurs portables sont généralement composés d'un câble galvanisé avec un dispositif de fermeture et une clé associée. Dell vous recommande d'utiliser un verrou Kensington. Des instructions détaillées sur l'installation de ce type de dispositif antivol sont généralement fournies avec le dispositif.

Diagnosics Dell

Les Diagnosics Dell qui ont été livrés avec votre ordinateur Dell Latitude comprennent les tests qui vous aident à dépanner les contrôleurs de votre périphérique d'amarrage.

Les sous-tests du groupe de tests **Network Interface (Interface de réseau)** des diagnosics Dell vérifient le fonctionnement de base du contrôleur de réseau dans le périphérique d'amarrage. Ils testent les fonctions internes du contrôleur, y compris l'accès en écriture et en lecture à ses registres et la capacité interne de transmission et de réception (rebouclage).

Les sous-tests du groupe de tests **Serial/Infrared Ports (Ports série/infrarouge)** vérifient l'interface entre du périphérique d'amarrage et les périphériques externes (une souris ou imprimante série par exemple). Les sous-tests de ce groupe de tests ne sont pas destinés à être utilisés comme tests de diagnostic pour le périphérique externe lui-même.

Les sous-tests du groupe de tests **USB (Universal Serial Bus [Bus série universel])** vérifient l'interface entre du périphérique d'amarrage et les périphériques externes (une souris par exemple). Les sous-tests de ce groupe de tests ne sont pas destinés à être utilisés comme tests de diagnostic pour le périphérique externe lui-même.

Pour des instructions complémentaires sur l'utilisation des diagnosics Dell, reportez-vous au *Guide d'utilisation* de votre ordinateur

Caractéristiques techniques

Caractéristiques techniques

Caractéristiques physiques

Hauteur :

Avec support de moniteur 10,9 cm (4,3 pouces)

Autonome 10,9 cm (4,3 pouces)

Profondeur :

Avec support de moniteur 50 cm (19,7 pouces)

Autonome 47 cm (18,5 pouces)

Largeur :

Avec support de moniteur 43,5 cm (17,1 pouces)

Autonome 42 cm (16,5 pouces)

Poids :

Avec support de moniteur 5,5 kg (12 livres)

Autonome 4,1 kg (9 livres)

Alimentation

Tension d'entrée de l'adaptateur
CA/CC :

Tension 100–240 VAC, 50–60 Hz

Intensité de courant 1,5 A

Tension d'entrée de la station
d'accueil C/Dock II

Tension requiert 20 VDC de l'adaptateur CA/CC

Intensité de courant 3,5 A

E/S

Série (DTE) connecteur tampon 16 octets,
compatible 16550

Parallèle connecteur unidirectionnel, bidirectionnel
ou ECP

PS/2 deux connecteurs mini-DIN

USB deux connecteurs compatibles USB

Caractéristiques techniques

Infrarouge	port infrarouge compatible aux normes IrDA 1.1 (IR Rapide) et 1.0
Ligne de sortie audio	jack d'entrée de microphone ; prise jack d'entrée ligne/entrée audio pour les périphériques d'enregistrement/lecture) ; prise jack de sortie ligne audio (pour le casque)
SCSI	connecteur D miniature à 50 broches Ultra SCSI
Vidéo	un connecteur
Réseau	un connecteur RJ45
Amarrage (pour la connexion à l'ordinateur)	un connecteur
Contrôleur de réseau Ethernet	
Jeu de puces	3Com® 3C920 ; 10/100 BASE-TX (conforme PC99)
Largeur du bus de données	interface de bus de l'hôte PCI de 32 bits
IRQ	IRQ10
Contrôleur SCSI	
Jeu de puces	Adaptec AIDC 7880C
Largeur du bus de données	Bus SCSI de 8 bits ; interface de bus de l'hôte PCI de 32 bits
Débit de données	20 Mo/s
IRQ	IRQ10

Instructions de sécurité et de CEM (Compatibilité électromagnétique) : Ordinateurs portables

Les informations suivantes indiquent la signification des symboles *supplémentaires* utilisés *uniquement* dans les instructions de Sécurité et de Compatibilité Électromagnétique (CEM).



Risque d'explosion



Symbole de référence avion



Risque d'incendie



L'utilisation de cette fonction peut être interdite en avion



Risque de choc électrique



Instructions de sécurité

Généralités

- Lorsque vous installez la station d'amarrage pour travailler, placez-la sur une surface plane.
- N'essayez pas de réparer la station d'amarrage vous-même à moins que vous ne soyez un technicien qualifié. Suivez toujours scrupuleusement les instructions d'installation.
- Si vous raccordez une rallonge à votre adaptateur CA/CC, assurez-vous que l'intensité totale du courant drainé par tous les appareils raccordés à cette rallonge ne dépasse pas la limite de cette dernière.



- N'insérez pas d'objets dans les orifices d'aération ou dans les ouvertures de votre ordinateur. Cela risquerait de provoquer un incendie ou un choc électrique dû à un court-circuit des composants internes.



- L'adaptateur CA/CC doit se trouver dans une zone aérée, par exemple sur un bureau ou sur le sol, lorsqu'il est utilisé pour alimenter l'ordinateur ou pour charger la batterie. Ne recouvrez pas l'adaptateur CA/CC de papiers ou autres objets susceptibles d'entraver le refroidissement. De même, n'utilisez pas l'adaptateur CA/CC dans une valise de transport.



- N'utilisez pas votre ordinateur dans un environnement humide, par exemple près d'une baignoire, d'un évier, d'une piscine ou dans un sous-sol humide.



- Pour éviter tout risque de décharge électrique, n'effectuez aucun branchement ou débranchement, ni aucune opération de maintenance ou de reconfiguration de ce produit pendant un orage. N'utilisez pas votre ordinateur pendant un orage, à moins qu'il n'ait été déconnecté de tous ses câbles et qu'il fonctionne sur batterie.
- Utilisez uniquement les batteries et l'adaptateur CA/CC conçus pour être utilisés avec ce périphérique d'amarrage, comme le précise ce document. Le recours à un autre type de batterie ou d'adaptateur CA/CC présente un risque d'incendie ou d'explosion.
- Avant de nettoyer la station d'amarrage, éteignez-la et débranchez l'adaptateur CA/CC de la prise électrique. Nettoyez la station d'amarrage avec un tissu doux et humidifié avec de l'eau. N'utilisez pas de liquide ni d'aérosol nettoyants, ceux-ci peuvent contenir des substances inflammables.



Alimentation (Instructions de sécurité)



- Utilisez uniquement l'adaptateur CA/CC fourni par Dell et homologué pour cette station d'amarrage. L'utilisation d'un autre adaptateur CA/CC peut provoquer un incendie ou une explosion.
- Avant de raccorder la station d'amarrage à une prise électrique, assurez-vous que la tension et la fréquence du secteur sont compatibles avec la tension d'entrée de l'adaptateur CA/CC.
- Pour mettre l'ordinateur totalement hors tension, éteignez-le et débranchez l'adaptateur CA/CC de la prise électrique.



- Pour éviter tout risque de décharge électrique, branchez l'adaptateur CA/CC et les cordons d'alimentation de l'ordinateur et de ses périphériques sur des prises possédant un circuit de mise à la terre adéquat. Il se peut que ces câbles d'alimentation soient équipés de prises à trois broches afin de fournir une mise à la terre. N'utilisez pas les fiches intermédiaires ou ne retirez pas la broche de masse d'un câble. Si vous utilisez une rallonge électrique, veillez à ce qu'elle comporte des prises à deux ou trois broches, afin de pouvoir la raccorder au câble d'alimentation de l'adaptateur CA/CC.
- Assurez-vous que rien ne repose sur le cordon d'alimentation de l'adaptateur CA/CC et que ce cordon n'est pas placé dans un endroit où l'on pourrait marcher ou trébucher dessus.



- Si vous utilisez une barrette d'alimentation multiprise, soyez prudent lorsque vous y raccordez le cordon de l'adaptateur CA/CC. Certaines rampes d'alimentation peuvent ne pas empêcher l'insertion d'une prise de façon incorrecte. L'insertion incorrecte de la prise de courant peut provoquer un dommage irréparable sur votre ordinateur, ainsi qu'un risque de choc électrique et/ou d'incendie. Assurez-vous que le contact de mise à la terre de la prise de courant est inséré dans le contact de mise à la terre correspondant de la rampe d'alimentation.

Réglementations

Une interférence électromagnétique (EMI, Electromagnetic Interference) est un signal ou une émission, véhiculé(e) dans l'espace libre ou par des conducteurs électriques ou de signaux, qui peut mettre en danger le fonctionnement d'une radionavigation ou autre service de sécurité ou sérieusement dégrader, obstruer ou interrompre à maintes reprises un service de communications radio autorisé. Les services de communications radio incluent, de manière non limitative, les services de radiodiffusion commerciale AM/FM, la télévision, les services de téléphonie cellulaire, la radiodétection, le contrôle de la circulation aérienne, les récepteurs de radiomessagerie et les systèmes GSM. Ces services autorisés, ainsi que les éléments rayonnants parasites involontaires tels que les dispositifs numériques, y compris les ordinateurs, contribuent à l'environnement électromagnétique.

La compatibilité électromagnétique (CEM) est la capacité des éléments d'un équipement électronique à interagir correctement dans l'environnement électronique. Bien que cet ordinateur ait été conçu dans le respect de cette compatibilité et soit conforme aux seuils fixés en matière d'interférences électromagnétiques par l'organisme de réglementation, il n'y a aucune garantie concernant les interférences susceptibles de se produire sur une installation particulière. Si l'équipement crée effectivement des interférences avec des services de communications radio (ce qui peut être déterminé en l'éteignant et en l'allumant), l'utilisateur est encouragé à essayer de corriger ce phénomène en prenant l'une ou l'ensemble des mesures suivantes :

- Changer l'orientation de l'antenne de réception.
- Repositionner l'ordinateur en fonction du récepteur.
- Éloigner l'ordinateur du récepteur.
- Brancher l'ordinateur sur une autre prise, pour faire en sorte que l'ordinateur et le récepteur se trouvent sur différents circuits de dérivation.

Si nécessaire, consulter un membre de l'équipe du support technique de Dell ou un technicien radio/télévision expérimenté pour des suggestions supplémentaires.

Les ordinateurs Dell sont conçus, testés et classés pour l'environnement électromagnétique dans lequel il est prévu de les utiliser. Ces classifications font généralement référence aux définitions harmonisées suivantes :

- Classe A : environnements professionnels ou industriels.
- Classe B : environnements résidentiels.

Les équipements informatique, y compris les périphériques, cartes d'extension, imprimantes, périphériques d'entrée/sortie (E/S), moniteurs, etc., qui sont intégrés ou connectés à l'ordinateur doivent appartenir à la même classification CEM que l'ordinateur.

Remarque sur les câbles de signal blindés : N'utilisez que des câbles blindés pour connecter les périphériques aux dispositifs Dell, afin de réduire la possibilité d'interférence avec les services de communications radio. L'utilisation de câbles blindés permet de rester dans la classification CEM pour l'environnement prévu. Dell propose un câble pour les imprimantes utilisant le port parallèle. Si vous le souhaitez, vous pouvez commander un câble sur le World Wide Web, à l'adresse suivante : <http://accessories.us.dell.com/>.

La plupart des ordinateurs Dell sont répertoriés pour les environnements de classe B. Cependant, l'inclusion de certaines options peut provoquer le passage de certaines configurations en classe A. Pour déterminer la classe s'appliquant à votre ordinateur ou périphérique, consultez les sections suivantes, propres à chaque organisme de réglementation. Chaque section propose, de façon spécifique pour tel(le) pays ou zone géographique, des informations CEM/EMI ou relatives à la sécurité des produits.

Réglementation FCC (États-Unis seulement)

La plupart des ordinateurs Dell sont classés par la FCC (Federal Communications Commission – commission fédérale des communications) comme appareils numériques de classe B. Pour déterminer la classe s'appliquant à votre ordinateur, examinez toutes les étiquettes d'enregistrement FCC sur le dessous ou au dos de votre ordinateur, sur les supports de montage de carte et sur les cartes proprement dites. Si l'une des étiquettes porte la mention « Classe A », tout l'ordinateur est considéré comme étant un appareil numérique de classe A. Si *toutes* les étiquettes ont un numéro d'identification de classe B ou le logo FCC, (FC), votre ordinateur est considéré comme étant un appareil numérique de classe B.

Une fois la classification FCC de votre ordinateur déterminée, lisez la réglementation FCC appropriée. Notez que les réglementations FCC prévoient que les changements ou modifications non explicitement approuvés par Dell peuvent annuler vos droits à utiliser cet équipement.

Cet périphérique est conforme au règlement de l'alinéa 15 de la FCC. Son fonctionnement est soumis aux deux conditions suivantes :

- Cet appareil ne doit pas créer d'interférences nocives.
- Cet appareil doit accepter toutes les interférences qu'il reçoit, y compris celles qui peuvent gêner son fonctionnement.

Classe A

Cet équipement a été testé et déclaré conforme aux limites des appareils numériques de classe A définies par l'alinéa 15 du règlement de la FCC. Ces limites sont conçues pour fournir une protection raisonnable contre les interférences nocives lorsque l'équipement est utilisé dans un environnement commercial. Cet équipement crée, utilise et peut émettre de l'énergie radiofréquence et peut, s'il n'est pas installé et utilisé conformément au manuel d'instructions du fabricant, être la cause d'interférences nocives sur les communications radio. L'utilisation de cet équipement dans une zone résidentielle peut créer des interférences nocives, auquel cas vous devez corriger les interférences à vos propres frais.

Classe B

Cet équipement a été testé et déclaré conforme aux limites des appareils numériques de classe B définies par l'alinéa 15 du règlement de la FCC. Ces limites ont été conçues pour fournir une protection raisonnable contre les interférences néfastes dans une installation en milieu résidentiel. Cet équipement génère, utilise et peut émettre de l'énergie radiofréquence et peut, s'il n'est pas installé et utilisé conformément au manuel d'instructions du fabricant, être la cause d'interférences nocives sur les communications radio. Cependant, la possibilité d'une interférence dans une installation à domicile n'est pas entièrement exclue. Si l'équipement crée effectivement des interférences nocives pour la réception radio et télévision, ce qui peut être déterminé en allumant et en éteignant cet équipement, vous êtes encouragé à essayer de corriger les interférences en prenant une ou plusieurs des mesures suivantes :

- Réorienter ou déplacer l'antenne de réception.
- Augmenter la distance entre l'équipement et le récepteur.
- Connecter l'équipement à une source d'alimentation sur un circuit différent de celui sur lequel est connecté le récepteur.
- Consulter le vendeur ou un technicien expérimenté en radio/télévision, pour obtenir une assistance.

Les informations suivantes sont fournies en conformité avec la réglementation de la FCC :

- Numéro de modèle : PDX
- Nom du fabricant :

Dell Computer Corporation
One Dell Way
Round Rock, Texas 78682, USA

Réglementation IC (Canada seulement)

La plupart des ordinateurs Dell (et autres appareils numériques Dell) sont classés par la norme Industry Canada (IC) Interference-Causing Equipment Standard (norme sur les équipements produisant des interférences) #3 (ICES-003) comme appareils numériques de classe B. Pour déterminer la classification (classe A ou B) applicable à votre ordinateur (ou aux autres appareils numériques Dell), examinez toutes les étiquettes d'homologation situées sur le dessous ou au dos de votre ordinateur (ou autre appareil numérique). Une mention de type « IC Class A ICES-003 » ou « IC Class B ICES-003 » doit figurer sur l'une de ces étiquettes. Notez que la réglementation Industry Canada précise que tout changement ou modification non expressément approuvé par Dell peut annuler vos droits d'utilisation de cet équipement.

Cet appareil numérique de classe B (ou classe A, selon l'indication de l'étiquette d'enregistrement) répond aux normes Canadian Interference-Causing Equipment Regulations (normes sur les équipements produisant des interférences).


Cet appareil numérique de classe B (ou classe A, selon l'indication de l'étiquette d'enregistrement) respecte toutes les exigences de la Réglementation sur le Matériel Brouilleur du Canada.

Réglementation CE (Union Européenne)

Le symbole **CE** indique la conformité de cet ordinateur Dell aux directives de CEM (compatibilité électromagnétique) et de basse tension de la Communauté Européenne. Un tel symbole indique que ce système Dell est conforme aux normes techniques suivantes :

- EN 55022 — « Limits and Methods of Measurement of Radio Interference Characteristics of Information Technology Equipment, (Limites et méthodes de mesure des caractéristiques d'interférence radio des équipements de technologie de l'information) ».
- EN 55024 — « Information technology equipment - Immunity characteristics - Limits and methods of measurement (Équipements de technologie de l'information - Caractéristiques d'immunité - Limites et méthodes de mesure) ».

- EN 61000-3-2 — « Electromagnetic compatibility (EMC) - Part 3: Limits - Section 2: Limits for harmonic current emissions (Equipment input current up to and including 16 A per phase) [Compatibilité électromagnétique (CEM), Partie 3 : Limites, Section 2 : Limites pour les émissions de courant harmonique (Courant d'entrée d'équipement allant jusqu'à 16 A par phase)] ».
- EN 61000-3-3 — « Electromagnetic compatibility (EMC) - Part 3: Limits - Section 3: Limitation of voltage fluctuations and flicker in low-voltage supply systems for equipment with rated current up to and including 16 A (Compatibilité électromagnétique (CEM), Partie 3 : Limites, Section 3 : Limitation des fluctuations de tension et du scintillement dans les systèmes d'alimentation basse tension applicable aux équipements dotés d'un courant nominal allant jusqu'à 16 A) ».
- EN 60950 — « Safety of Information Technology Equipment (Protection des équipements de technologie de l'information) ».

 **REMARQUE :** Les exigences des émissions EN 55022 mènent à deux classifications :

- La classe A concerne les zones commerciales normales.
- La classe B concerne les environnements résidentiels.

Cet appareil Dell est classé pour une utilisation dans un environnement résidentiel (classe B).

Une « Déclaration de conformité », conformément aux directives et normes précédemment citées, a été établie et est conservée chez Dell Computer Corporation Products Europe BV, à Limerick, en Irlande.

Enlèvement de la batterie

Votre périphérique d'amarrage utilise une batterie au lithium-ion. La batterie au lithium-ion est une pile de longue durée, et il est fort possible que vous n'ayez jamais besoin de la remplacer. Si toutefois vous devez la remplacer, reportez-vous à la section « Remplacement de la batterie », plus haut dans ce document.



Ne jetez pas la batterie avec les ordures ménagères. Contactez service municipal de traitement des déchets pour connaître l'adresse du site de dépôt de batteries le plus proche de votre domicile.

Conformité EN 55022 (République Tchèque seulement)

Cet appareil appartient à la classe B comme décrit dans la norme EN 55022, à moins qu'il ne soit spécifié sur l'étiquette d'enregistrement qu'il est de classe A. Ce qui suit s'applique aux appareils de classe A (norme EN 55022 [rayon de protection égal ou inférieur à 30 mètres]). L'utilisateur de l'appareil doit prendre toutes les mesures nécessaires pour retirer les sources d'interférences des télécommunications ou d'autres périphériques.

Pokud není na typovém štítku počítače uvedeno, že spadá do třídy A podle EN 55022, spadá automaticky do třídy B podle EN 55022. Pro zařízení zařazená do třídy A (ochranné pásmo 30m) podle EN 55022 platí následující. Dojde-li k rušení telekomunikačních nebo jiných zařízení, je uživatel povinen provést taková opatření, aby rušení odstranil.

Réglementation VCCI (Japon seulement)

La plupart des ordinateurs Dell sont classés par le VCCI (Voluntary Control Council for Interference – conseil de contrôle volontaire des interférences) dans la classe B des équipements de technologie de l'information (Information Technology Equipment [ITE]). Toutefois, l'introduction de certaines options peut faire passer certaines configurations dans la classe A. Les ITE, y compris les périphériques, cartes d'extension, imprimantes, périphériques d'entrée/sortie (E/S), moniteurs, etc., qui sont intégrés ou connectés à l'ordinateur doivent correspondre à la classification de l'environnement électromagnétique (classe A ou B) de l'ordinateur.

Pour déterminer la classification applicable à votre ordinateur, examinez les étiquettes de réglementation/les symboles (voir « Marque réglementée ITE Classe A VCCI » et « Marque réglementée ITE Classe B VCCI ») situés dessous ou au dos de votre ordinateur. Une fois la classification VCCI de votre ordinateur déterminée, lisez la réglementation VCCI appropriée.

Classe A ITE

この装置は、情報処理装置等電波障害自主規制協議会（VCCI）の基準に基づくクラス A 情報技術装置です。この装置を家庭環境で使用すると電波妨害を引き起こすことがあります。この場合には使用者が適切な対策を講ずるよう要求されることがあります。

Ce produit appartient à la classe A définie par la norme du Conseil de contrôle volontaire des interférences (VCCI, Voluntary Control Council for Interference) relative aux équipements de technologie de l'information. Utilisé dans un environnement résidentiel, cet équipement est susceptible de provoquer des perturbations radio. Dans ce cas, il peut être demandé à l'utilisateur d'entreprendre des actions correctives.

Marque réglementée ITE - Classe A VCCI

VCCI-A

Classe B ITE

この装置は、情報処理装置等電波障害自主規制協議会（VCCI）の基準に基づくクラス B 情報技術装置です。この装置は家庭環境で使用することを目的としていますが、ラジオやテレビジョン受信機に近接して使用されると、受信障害を引き起こすことがあります。
取扱説明書に従って正しい取り扱いをしてください。


Ce produit appartient à la classe B définie par la norme du Conseil de contrôle volontaire des interférences (VCCI, Voluntary Control Council for Interference) relative aux équipements de technologie de l'information. Utilisé à proximité d'un récepteur radio ou télévision dans un environnement résidentiel, cet équipement est susceptible de provoquer des perturbations radio. Installez et utilisez cet équipement conformément au manuel d'instructions.

Marque réglementée ITE - Classe B VCCI



Réglementation MIC (République de Corée seulement)

Pour déterminer la classification (classe A ou B) applicable à votre ordinateur (ou aux autres appareils numériques Dell), examinez les étiquettes d'homologation MIC (Republic of Korean Ministry of Information and Communications) situées sur votre ordinateur (ou d'autres appareils numériques Dell). L'étiquette MIC peut se trouver à l'écart des autres étiquettes réglementaires appliquées sur le produit. La troisième ligne de l'étiquette identifie la classe d'émissions du produit — « (A) » pour les produits de classe A ou « (B) » pour les produits de classe B.

 **REMARQUE :** Les exigences des émissions MIC mènent aux deux classifications ci-dessous.

- Les appareils de classe A sont destinés aux usages professionnels.
- Les appareils de classe B sont destinés aux usages non professionnels.

Appareil de classe A

기종별	사용자안내문
A급 기기 (업무용 정보통신기기)	이 기기는 업무용으로 전자파적합등록을 한 기기이오니 판매자 또는 사용자는 이 점을 주의하시기 바라며 만약 잘못 판매 또는 구입하였을 때에는 가정용으로 교환하시기 바랍니다.

Veuillez noter que cet appareil a été agréé pour une utilisation professionnelle en ce qui concerne les interférences électromagnétiques. Si vous pensez qu'il ne convient pas à l'utilisation que vous souhaitez en faire, vous pouvez l'échanger contre un appareil à usage non professionnel.

Étiquette de réglementation MIC de classe A.



1. 기기의 명칭(모델명):
2. 인증번호:
3. 인증받은 자의 상호: (A)
4. 제조년월일:
5. 제조자/제조국가:

Appareil de classe B

기종별	사용자 안내문
B급 기기 (가정용 정보통신기기)	이 기기는 가정용으로 전자파적합등록을 한 기기로서 주거지역에서는 물론 모든 지역에서 사용할 수 있습니다.

Veillez noter que cet appareil est agréé pour une utilisation non professionnelle et peut être utilisé dans tout environnement, notamment en zone résidentielle.

Étiquette de réglementation MIC de classe B.



1. 기기의 명칭(모델명):
2. 인증번호:
3. 인증받은 자의 상호: (B)
4. 제조년월일:
5. 제조자/제조국가:

Avis du Centre polonais de test et d'agrément

Cet équipement doit être alimenté à partir d'une prise dotée d'un circuit de protection (connecteur à trois fiches). Tous les équipements fonctionnant ensemble (ordinateur, moniteur, imprimante, etc.) doivent être alimentés par le même circuit.

Le conducteur de la phase du circuit électrique local doit disposer d'un dispositif de protection contre les courts-circuits sous la forme d'un fusible d'intensité non supérieure à 16 ampères (A).

Pour éteindre totalement l'équipement, le câble d'alimentation doit être débranché de la prise électrique, qui doit être située à proximité de l'équipement et aisément accessible.

Une marque de protection « B » confirme la conformité de l'équipement aux spécifications des normes PN-93/T-42107 et PN-EN 55022 : 1996.

Wymagania Polskiego Centrum Badań i Certyfikacji

Urządzenie powinno być zasilane z gniazda z przyłączonym obwodem ochronnym (gniazdo z kołkiem). Współpracujące ze sobą urządzenia (komputer, monitor, drukarka) powinny być zasilane z tego samego źródła.

Instalacja elektryczna pomieszczenia powinna zawierać w przewodzie fazowym rezerwową ochronę przed zwarciami, w postaci bezpiecznika o wartości znamionowej nie większej niż 16A (amperów).

W celu całkowitego wyłączenia urządzenia z sieci zasilania, należy wyjąć wtyczkę kabla zasilającego z gniazdka, które powinno znajdować się w pobliżu urządzenia i być łatwo dostępne.

Znak bezpieczeństwa "B" potwierdza zgodność urządzenia z wymaganiami bezpieczeństwa użytkownika zawartymi w PN-93/T-42107 i PN-EN 55022:1996.

Jeżeli na tabliczce znamionowej umieszczono informację, że urządzenie jest klasy A, to oznacza to, że urządzenie w środowisku mieszkalnym może powodować zakłócenia radioelektryczne. W takich przypadkach można żądać od jego użytkownika zastosowania odpowiednich środków zaradczych.

Pozostałe instrukcje bezpieczeństwa

- Nie należy używać wtyczek adapterowych lub usuwać kołka obwodu ochronnego z wtyczki. Jeżeli konieczne jest użycie przedłużacza to należy użyć przedłużacza 3-żyłowego z prawidłowo połączonym przewodem ochronnym.
- System komputerowy należy zabezpieczyć przed nagłymi, chwilowymi wzrostami lub spadkami napięcia, używając eliminatora przepięć, urządzenia dopasowującego lub bezzakłócenowego źródła zasilania.
- Należy upewnić się, aby nic nie leżało na kablach systemu komputerowego, oraz aby kable nie były umieszczone w miejscu, gdzie można byłoby na nie nadeptywać lub potykać się o nie.
- Nie należy rozlewać napojów ani innych płynów na system komputerowy.
- Nie należy wpychać żadnych przedmiotów do otworów systemu komputerowego, gdyż może to spowodować pożar lub porażenie prądem, poprzez zwarcie elementów wewnętrznych.
- System komputerowy powinien znajdować się z dala od grzejników i źródeł ciepła. Ponadto, nie należy blokować otworów wentylacyjnych. Należy unikać kładzenia luźnych papierów pod komputer oraz umieszczania komputera w ciasnym miejscu bez możliwości cyrkulacji powietrza wokół niego.

Informations sur la norme NOM (Mexique seulement)

Les informations suivantes sont fournies sur le ou les appareils décrits dans ce document, conformément aux exigences de la Norme Officielle Mexicaine (NOM) :

Exportateur :	Dell Computer Corporation One Dell Way Round Rock, TX 78682
Importateur :	Dell Computer de México, S.A. de C.V. Paseo de la Reforma 2620 - 11° Piso Col. Lomas Altas 11950 México, D.F.
Expédier à :	Dell Computer de México, S.A. de C.V. al Cuidado de Kuehne & Nagel de México S. de R.I. Avenida Soles No. 55 Col. Peñon de los Baños 15520 México, D.F.
Tension d'alimentation :	100–240 VAC
Fréquence :	50–60 Hz
Consommation électrique :	1,5 A
Tension de sortie :	20 VCC
Courant de sortie :	3,5 A

Información para NOM (únicamente para México)

La información siguiente se proporciona en el dispositivo o en los dispositivos descritos en este documento, en cumplimiento con los requisitos de la Norma Oficial Mexicana (NOM):

Exportador:	Dell Computer Corporation One Dell Way Round Rock, TX 78682
Importador:	Dell Computer de México, S.A. de C.V. Paseo de la Reforma 2620 - 11° Piso Col. Lomas Altas 11950 México, D.F.
Embarcar a:	Dell Computer de México, S.A. de C.V. al Cuidado de Kuehne & Nagel de México S. de R.I. Avenida Soles No. 55 Col. Peñon de los Baños 15520 México, D.F.
Voltaje de entrada de alimentación:	100–240 VAC
Frecuencia:	50–60 Hz
Consumo eléctrico:	1,5 A
Voltaje de salida:	20 VCC
Corriente de salida:	3,5 A

Réglementation BSMI (Taiwan uniquement)

BSMI 通告 (僅限於台灣)

大多數的 Dell 電腦系統被 BSMI (經濟部標準檢驗局) 劃分為乙類數位裝置。但是，使用某些選件會使有些組態的等級變成甲類。若要確定您的電腦系統適用等級，請檢查所有位於電腦底部或背面板、擴充卡安裝托架，以及擴充卡上的 BSMI 註冊標籤。如果其中有一甲類標籤，即表示您的系統為甲類數位裝置。如果只有 BSMI 的檢磁號碼標籤，則表示您的系統為乙類數位裝置。

一旦確定了系統的 BSMI 等級，請閱讀相關的 BSMI 通告。請注意，BSMI 通告規定凡是未經 Dell Computer Corporation 明確批准的擅自變更或修改，將導致您失去此設備的使用權。

此裝置符合 BSMI (經濟部標準檢驗局) 的規定，使用時須符合以下兩項條件：

- 此裝置不會產生有害干擾。
- 此裝置必須能接受所接收到的干擾，包括可能導致無法正常作業的干擾。

甲類

此設備經測試證明符合 BSMI (經濟部標準檢驗局) 之甲類數位裝置的限制規定。這些限制的目的是為了在商業環境中使用此設備時，能提供合理的保護以防止有害的干擾。此設備會產生、使用並散發射頻能量；如果未遵照製造廠商的指導手冊來安裝和使用，可能會干擾無線電通訊。請勿在住宅區使用此設備。

警告使用者：

這是甲類的資訊產品，在居住的環境中使用時，可能會造成射類干擾，在這種情況下，使用者會被要求採取某些適當的對策。

乙類

此設備經測試證明符合 BSMI (經濟部標準檢驗局) 之乙類數位裝置的限制規定。這些限制的目的是為了在住宅區安裝時，能防止有害的干擾，提供合理的保護。此設備會產生、使用並散發射頻能量；如果未遵照製造廠商的指導手冊來安裝和使用，可能會干擾無線電通訊。但是，這並不保證在個別的安裝中不會產生干擾。您可以透過關閉和開啓此設備來判斷它是否會對廣播和電視收訊造成干擾；如果確實如此，我們建議您嘗試以下列一種或多種方法來排除干擾：

- 重新調整天線的接收方向或重新放置接收天線。
- 增加設備與接收器的距離。
- 將設備連接至不同的插座，使設備與接收器連接在不同的電路上。
- 請向經銷商或有經驗的無線電/電視技術人員查詢，以獲得幫助。

Réglementation CE

Cet appareil est conforme aux spécifications de la Directive européenne 1999/5/EC.

Garantie limitée et règle de retour

Refer to the invoice that came with your docking device to determine which warranty you purchased.


Garantie limitée à un an (États-Unis seulement)

Dell Computer Corporation (« Dell ») fabrique ses produits à partir de pièces et de composants neufs ou quasiment neufs conformément aux pratiques industrielles standard. Dell garantit que ses produits sont exempts de tout défaut matériel et de fabrication. La garantie limitée est valable pendant un an à compter de la date de facturation, comme indiqué plus en détails ci-dessous.

Les éventuels dommages causés lors de l'expédition des produits chez le client sont couverts par cette garantie limitée. Par ailleurs, cette garantie limitée ne couvre pas les dommages résultant de causes externes : accidents, usage abusif ou à mauvais escient, problèmes d'alimentation électrique, interventions non autorisées par Dell, utilisation non conforme aux instructions du produit, non-exécution de l'entretien préventif exigé et problèmes dus à l'utilisation de pièces et de composants non fournis par Dell.

Cette garantie limitée ne s'applique pas aux articles des catégories suivantes : logiciels, périphériques (à l'exception de ceux spécifiquement indiqués), accessoires ou pièces ajoutés à un système Dell après son expédition par Dell, accessoires ou pièces ajoutés à un système Dell par le département d'intégration du système Dell, accessoires ou pièces qui ne sont pas installés à l'usine Dell ou produits DellWare™. Les moniteurs, claviers et souris de marque Dell ou inclus dans la liste des prix standard de Dell sont couverts par cette garantie limitée ; tous les autres moniteurs, claviers et souris (y compris ceux vendus par le programme DellWare) ne sont pas couverts.

Dell répare ou remplace les produits qui sont retournés à l'usine de Dell et qui sont couverts par cette garantie limitée. Pour obtenir le service de garantie, vous devez contacter le Support technique clients de Dell dans les limites de la période de garantie. Reportez-vous à la section « Obtention de l'aide » du *Guide d'utilisation* pour obtenir les informations relatives à l'assistance clientèle. Si une réparation sous garantie est nécessaire, Dell vous fournira un numéro d'autorisation de retour du matériel. Vous devez renvoyer les produits à Dell dans leur emballage d'origine ou un équivalent, payer d'avance les frais d'expédition et assurer l'envoi ou accepter les risques de perte ou de dommage pendant l'acheminement. Dell vous renverra le produit réparé ou le remplacera, à ses frais, si vous utilisez une adresse aux États-Unis ou au Canada, le cas échéant. Les expéditions vers d'autres destinations sont payées à la réception.

 **REMARQUE :** Avant d'expédier les produits à Dell, sauvegardez les données des disques durs et de tout autre dispositif de stockage des produits. Retirez tous les supports amovibles, tels que les disquettes, CD ou cartes PC.

Dell est propriétaire de toutes les pièces retirées des produits réparés. Dell utilise des pièces neuves ou remises en état provenant de différents fabricants pour les réparations sous garantie et pour la fabrication de produits de remplacement. Quand Dell répare ou remplace un produit, les termes de sa garantie ne sont pas étendus.

CETTE GARANTIE LIMITÉE VOUS DONNE DES DROITS LÉGAUX SPÉCIFIQUES, AUXQUELS PEUVENT S'AJOUTER D'AUTRES DROITS, QUI VARIENT AU CAS PAR CAS (OU SELON LA JURIDICTION). LA RESPONSABILITÉ DE DELL POUR LE FONCTIONNEMENT DÉFECTUEUX ET LES DÉFAUTS DU MATÉRIEL EST LIMITÉE À LA RÉPARATION OU AU REMPLACEMENT COMME INDIQUÉ DANS CE CONTRAT DE GARANTIE LIMITÉE. TOUTE GARANTIE EXPRESSE OU IMPLICITE DU PRODUIT, INCLUANT SANS EN EXCLURE D'AUTRES TOUTE GARANTIE ET CONDITION IMPLICITE DE QUALITÉ OU D'ADAPTABILITÉ À UN USAGE PARTICULIER, EST LIMITÉE À LA PÉRIODE MENTIONNÉE CI-DESSUS, ET AUCUNE GARANTIE, EXPRESSE OU IMPLICITE, NE SERA APPLIQUÉE AU-DELÀ DE CETTE PÉRIODE.

CERTAINS ÉTATS (OU JURIDICTIONS) NE RECONNAISSENT PAS DE RESTRICTION DE LA DURÉE D'UNE GARANTIE IMPLICITE, AUQUEL CAS LA RESTRICTION PRÉCÉDENTE PEUT NE PAS S'APPLIQUER.

DELL DÉCLINE TOUTE RESPONSABILITÉ, AU-DELÀ DES RECOURS INDIQUÉS DANS CETTE DÉCLARATION DE GARANTIE LIMITÉE, POUR LES DOMMAGES ACCIDENTELS OU INDUITS, Y COMPRIS POUR LA NON-DISPONIBILITÉ D'UN PRODUIT OU POUR LA PERTE DE DONNÉES OU DE LOGICIEL, ET CE SANS RESTRICTION.

CERTAINS ÉTATS (OU JURIDICTIONS) NE RECONNAISSENT PAS D'EXCLUSION OU DE RESTRICTION SUR LES DOMMAGES SECONDAIRES OU INDUITS, AUQUEL CAS L'EXCLUSION OU LES RESTRICTIONS PRÉCÉDENTES PEUVENT NE PAS S'APPLIQUER.

Ces conditions s'appliquent uniquement à la garantie limitée à un an fournie par Dell. Pour les réserves sur tous contrats de service couvrant votre système, reportez-vous à votre facture ou au contrat de service séparé que vous recevrez.

Si Dell choisit de remplacer un produit ou une partie d'un produit, l'échange se fera conformément à la règle sur les retours de Dell en vigueur à la date de l'échange. Dans les cas où Dell délivre un numéro d'autorisation de retour du matériel, Dell doit recevoir le(s) produit(s) à réparer avant l'expiration de la période de garantie afin que les réparations soient couvertes par ladite garantie.

Garantie limitée à un an (Canada seulement)

Dell Computer Corporation (« Dell ») fabrique ses produits à partir de pièces et de composants neufs ou quasiment neufs conformément aux pratiques industrielles standard. Dell garantit que ses produits sont exempts de tout défaut matériel et de fabrication. La garantie limitée est valable pendant un an à compter de la date de facturation, comme indiqué plus en détails ci-dessous.

Les éventuels dommages causés lors de l'expédition des produits chez le client sont couverts par cette garantie limitée. Par ailleurs, cette garantie limitée ne couvre pas les dommages résultant de causes externes : accidents, usage abusif ou à mauvais escient, problèmes d'alimentation électrique, interventions non autorisées par Dell, utilisation non conforme aux instructions du produit, non-exécution de l'entretien préventif exigé et problèmes dus à l'utilisation de pièces et de composants non fournis par Dell.

Cette garantie limitée ne s'applique pas aux articles des catégories suivantes : logiciels, périphériques (à l'exception de ceux spécifiquement indiqués), accessoires ou pièces ajoutés à un système Dell après son expédition par Dell, accessoires ou pièces ajoutés à un système Dell par le département d'intégration du système Dell, accessoires ou pièces qui ne sont pas installés à l'usine Dell ou produits DellWare. Les moniteurs, claviers et souris de marque Dell ou inclus dans la liste des prix standard de Dell sont couverts par cette garantie limitée ; tous les autres moniteurs, claviers et souris (y compris ceux vendus par le programme DellWare) ne sont pas couverts.

Dell répare ou remplace les produits qui sont retournés à l'usine de Dell et qui sont couverts par cette garantie limitée. Pour obtenir le service de garantie, vous devez contacter le Support technique clients de Dell dans les limites de la période de garantie. Reportez-vous à la section « Obtention de l'aide » du *Guide d'utilisation* pour obtenir les informations relatives à l'assistance clientèle. Si une réparation sous garantie est nécessaire, Dell vous fournira un numéro d'autorisation de retour du matériel. Vous devez renvoyer les produits à Dell dans leur emballage d'origine ou un équivalent, payer d'avance les frais d'expédition et assurer l'envoi ou accepter les risques de perte ou de dommage pendant l'acheminement. Dell vous renverra le produit réparé ou le remplacera à ses frais si vous utilisez une adresse au Canada, le cas échéant. Les expéditions vers d'autres destinations sont payées à la réception.



REMARQUE : Avant d'expédier les produits à Dell, sauvegardez les données des disques durs et de tout autre dispositif de stockage des produits. Retirez tous les supports amovibles, tels que les disquettes, CD ou cartes PC.

Dell est propriétaire de toutes les pièces retirées des produits réparés. Dell utilise des pièces neuves ou remises en état provenant de différents fabricants pour les réparations sous garantie et pour la fabrication de produits de remplacement. Quand Dell répare ou remplace un produit, les termes de sa garantie ne sont pas étendus.

DELL N'ACCORDE AUCUNE GARANTIE OU CONDITION EXPRESSE AU-DELÀ DE CELLES MENTIONNÉES DANS LE PRÉSENT CONTRAT DE GARANTIE LIMITÉE. DELL DÉCLINE TOUTE AUTRE GARANTIE OU CONDITION EXPRESSE OU IMPLICITE, INCLUANT SANS RESTRICTION LES GARANTIES ET CONDITIONS IMPLICITES DE QUALITÉ OU D'ADAPTABILITÉ À UN USAGE PARTICULIER. CERTAINS ÉTATS (OU JURIDICTIONS) NE RECONNAISSENT PAS DE RESTRICTION POUR LES GARANTIES OU CONDITIONS IMPLICITES, AUQUEL CAS LA RESTRICTION PRÉCÉDENTE PEUT NE PAS S'APPLIQUER.

LA RESPONSABILITÉ DE DELL POUR LE FONCTIONNEMENT DÉFECTUEUX ET LES DÉFAUTS DU MATÉRIEL EST LIMITÉE À LA RÉPARATION OU AU REMPLACEMENT COMME INDIQUÉ DANS CE CONTRAT DE GARANTIE LIMITÉE. CES GARANTIES VOUS DONNENT DES DROITS LÉGAUX SPÉCIFIQUES, AUXQUELS PEUVENT S'AJOUTER D'AUTRES DROITS, QUI VARIENT AU CAS PAR CAS (OU SELON LA JURIDICTION).

DELL DÉCLINE TOUTE RESPONSABILITÉ, AU-DELÀ DES RECOURS INDIQUÉS DANS CETTE DÉCLARATION DE GARANTIE LIMITÉE, POUR LES DOMMAGES ACCIDENTELS OU INDUITS, Y COMPRIS POUR LA NON-DISPONIBILITÉ D'UN PRODUIT OU POUR LA PERTE DE DONNÉES OU DE LOGICIEL, ET CE SANS RESTRICTION.

CERTAINS ÉTATS (OU JURIDICTIONS) NE RECONNAISSENT PAS D'EXCLUSION OU DE RESTRICTION SUR LES DOMMAGES SECONDAIRES OU INDUITS, AUQUEL CAS L'EXCLUSION OU LES RESTRICTIONS PRÉCÉDENTES PEUVENT NE PAS S'APPLIQUER.

Ces conditions s'appliquent uniquement à la garantie limitée à un an fournie par Dell. Pour les réserves sur tous contrats de service couvrant votre système, reportez-vous à votre facture ou au contrat de service séparé que vous recevrez.

Si Dell choisit de remplacer un produit ou une partie d'un produit, l'échange se fera conformément à la règle sur les retours de Dell en vigueur à la date de l'échange. Dans les cas où Dell délivre un numéro d'autorisation de retour du matériel, Dell doit recevoir le(s) produit(s) à réparer avant l'expiration de la période de garantie afin que les réparations soient couvertes par ladite garantie.

Garantie du fabricant limitée à un an pour l'utilisateur final (Amérique latine et Caraïbes uniquement)

Garantie

Dell Computer Corporation (« Dell ») garantit à l'utilisateur final en accord avec les conditions suivantes que ses propres produits, achetés par l'utilisateur auprès de la société Dell ou d'un distributeur Dell agréé en Amérique latine ou aux Caraïbes, sont exempts de tout défaut matériel, de fabrication ou de conception affectant son utilisation normale, pour une période d'un an à compter de la date d'achat. Les produits pour lesquels des réclamations justifiées sont faites seront, selon la décision de Dell, réparés ou remplacés aux frais de Dell. Dell est propriétaire de toutes les pièces retirées des produits réparés. Dell utilise des pièces neuves ou remises en état provenant de différents fabricants pour les réparations et pour la fabrication de produits de remplacement.

Exclusions

Cette garantie ne s'applique pas aux défauts résultant des situations suivantes : installation, utilisation ou maintenance incorrecte ou inadéquate ; actions ou modifications par une tierce partie ou un utilisateur final non habilité ; dégradation accidentelle ou volontaire ; usure normale.

Réclamations

Les réclamations doivent être effectuées en Amérique latine ou aux Caraïbes en contactant le point de vente Dell au cours de la période de garantie. L'utilisateur final doit toujours fournir la preuve d'achat, indiquant le nom et l'adresse du vendeur, la date d'achat, le modèle et le numéro de série, le nom et l'adresse du client, le détail des problèmes et la configuration au moment du dysfonctionnement, sans oublier de mentionner les périphériques et les logiciels utilisés. Dans le cas contraire, Dell peut refuser votre réclamation sous garantie. Après diagnostic d'un défaut sous garantie, Dell prendra les dispositions nécessaires et réglera les frais de transport aller-retour par voie terrestre et d'assurance jusqu'au centre de réparation et de remplacement de Dell. L'utilisateur final doit s'assurer que le produit défectueux qui doit être récupéré est correctement emballé dans son emballage de protection d'origine ou équivalent et accompagné des détails décrits plus haut et du numéro de retour fourni à l'utilisateur par Dell.

Restrictions et droits statutaires

Dell décline toute garantie ou déclaration similaire autre que celles décrites explicitement ci-dessus, et cette Garantie remplace toutes les autres garanties, quelles qu'elles soient, dans toute la mesure permise par la réglementation. En l'absence de législation applicable, cette Garantie constituera le recours unique et exclusif de l'utilisateur final contre Dell ou l'une de ses filiales, et ni Dell ni aucune de ses filiales ne peut être tenu responsable des pertes de bénéfices et de contrats, ni d'aucune autre perte indirecte due à une négligence, rupture de contrat ou autre.

Cette garantie ne diminue ni n'affecte les droits statutaires obligatoires de l'utilisateur final par rapport à et/ou tout droit résultant d'autres contrats conclus par l'utilisateur final avec Dell et/ou tout autre vendeur.

Dell World Trade LP

One Dell Way, Round Rock, TX 78682, USA

Dell Computadores do Brasil Ltda (CNPJ No. 72.381.189/0001-10)/

Dell Commercial do Brasil Ltda (CNPJ No. 03 405 822/0001-40)

Avenida Industrial Belgraf, 400

92990-000 - Eldorado do Sul - RS - Brésil

Dell Computer de Chile Ltda

Coyancura 2283, Piso 3 - Of.302,

Providencia, Santiago - Chili

Dell Computer de Colombia Corporation

Carrera 7 #115-33 Oficina 603

Bogota, Colombie

Dell Computer de Mexico SA de CV

Paseo de la Reforma 2620 - 11° Piso

Col. Lomas Altas

11950 México, D.F.

Garantie limitée à trois ans (États-Unis seulement)

Dell Computer Corporation (« Dell ») fabrique ses produits à partir de pièces et de composants neufs ou quasiment neufs conformément aux pratiques industrielles standard. Dell garantit que ses produits sont exempts de tout défaut matériel et de fabrication. La garantie limitée est valable pendant trois ans à compter de la date de facturation, comme indiqué ci-dessous.

Les éventuels dommages causés lors de l'expédition des produits chez le client sont couverts par cette garantie limitée. Par ailleurs, cette garantie limitée ne couvre pas les dommages résultant de causes externes : accidents, usage abusif ou à mauvais escient, problèmes d'alimentation électrique, interventions non autorisées par Dell, utilisation non conforme aux instructions du produit, non-exécution de l'entretien préventif exigé et problèmes dus à l'utilisation de pièces et de composants non fournis par Dell.

Cette garantie limitée ne s'applique pas aux articles des catégories suivantes : logiciels, périphériques (à l'exception de ceux spécifiquement indiqués), accessoires ou pièces ajoutés à un système Dell après son expédition par Dell, accessoires ou pièces ajoutés à un système Dell par le département d'intégration du système Dell, accessoires ou pièces qui ne sont pas installés à l'usine Dell ou produits DellWare™. Les moniteurs, claviers et souris de marque Dell ou inclus dans la liste des prix standard de Dell sont couverts par cette garantie limitée ; tous les autres moniteurs, claviers et souris (y compris ceux vendus par le programme DellWare) ne sont pas couverts. Les batteries des ordinateurs portables ne sont couvertes que pendant la première année de cette garantie limitée.

Garantie pendant la première année

Lors de la première année à compter de la date de facturation, Dell répare ou remplace les produits qui sont retournés à l'usine Dell et qui sont couverts par cette garantie limitée. Pour obtenir le service de garantie, vous devez contacter le Support technique clients de Dell dans les limites de la période de garantie. Reportez-vous à la section « Obtention de l'aide » du *Guide d'utilisation* pour obtenir les informations relatives à l'assistance clientèle. Si une réparation sous garantie est nécessaire, Dell vous fournira un numéro d'autorisation de retour du matériel. Vous devez renvoyer les produits à Dell dans leur emballage d'origine ou un équivalent, payer d'avance les frais d'expédition et assurer l'envoi ou accepter les risques de perte ou de dommage pendant l'acheminement. Dell vous renverra le produit réparé ou le remplacera à ses frais si vous utilisez une adresse aux États-Unis ou au Canada, le cas échéant. Les expéditions vers d'autres destinations sont payées à la réception.



REMARQUE : Avant d'expédier les produits à Dell, sauvegardez les données des disques durs et de tout autre dispositif de stockage des produits. Retirez tous les supports amovibles, tels que les disquettes, CD ou cartes PC. Dell décline toute responsabilité en cas de perte de données ou de logiciels.

Dell est propriétaire de toutes les pièces retirées des produits réparés. Dell utilise des pièces neuves ou remises en état provenant de différents fabricants pour les réparations sous garantie et pour la fabrication de produits de remplacement. Quand Dell répare ou remplace un produit, les termes de sa garantie ne sont pas étendus.

Garantie pendant la deuxième et la troisième années

Pendant la deuxième et la troisième années de cette garantie limitée, Dell fournit, sur une base d'échange et en conformité avec la règle sur les retours de Dell effective à la date de l'échange, des pièces de rechange pour les produits matériels Dell couverts par cette garantie limitée, quand une pièce doit être remplacée. Vous devez indiquer chaque défaillance matérielle Support technique clients de Dell afin que Dell convienne de la nécessité du remplacement de la pièce et expédie la pièce de rechange. Dell expédie les pièces (à ses frais) si vous utilisez une adresse aux États-Unis, le cas échéant. Les expéditions vers d'autres destinations sont payées à la réception. Dell inclut un emballage d'expédition prépayé avec chaque pièce de rechange, afin que vous renvoyiez la pièce remplacée à Dell. Les pièces de rechange sont neuves ou remises en état. Dell peut fournir des pièces de rechange provenant de fabricants divers. Les conditions de garantie pour une pièce de rechange sont celles qui s'appliquent encore pour la garantie limitée.

Toute pièce de rechange défectueuse et remplacée non renvoyée à Dell devra être payée. La procédure de retour des pièces défectueuses, ainsi que votre engagement à payer les pièces de rechange dont vous n'auriez pas renvoyé à Dell l'équivalent défectueux, sont conformes à la règle sur les retours en vigueur à la date de l'échange.

Vous acceptez la pleine responsabilité pour votre logiciel et vos données. Dell n'a pas à vous indiquer ou à vous rappeler les procédures de sauvegarde et les autres procédures appropriées.

Conditions générales

CETTE GARANTIE LIMITÉE VOUS DONNE DES DROITS LÉGAUX SPÉCIFIQUES, AUXQUELS PEUVENT S'AJOUTER D'AUTRES DROITS, QUI VARIENT AU CAS PAR CAS (OU SELON LA JURIDICTION). LA RESPONSABILITÉ DE DELL POUR LE FONCTIONNEMENT DÉFECTUEUX ET LES DÉFAUTS DU MATÉRIEL EST LIMITÉE À LA RÉPARATION OU AU REMPLACEMENT COMME INDIQUÉ DANS CE CONTRAT DE GARANTIE LIMITÉE. TOUTE GARANTIE EXPRESSE OU IMPLICITE DU PRODUIT, INCLUANT SANS EN EXCLURE D'AUTRES TOUTE GARANTIE ET CONDITION IMPLICITE DE QUALITÉ OU D'ADAPTABILITÉ À UN USAGE PARTICULIER, EST LIMITÉE À LA PÉRIODE MENTIONNÉE CI-DESSUS, ET AUCUNE GARANTIE, EXPRESSE OU IMPLICITE, NE SERA APPLIQUÉE AU-DELÀ DE CETTE PÉRIODE.

CERTAINS ÉTATS (OU JURIDICTIONS) NE RECONNAISSENT PAS DE RESTRICTION DE LA DURÉE D'UNE GARANTIE IMPLICITE, AUQUEL CAS LA RESTRICTION PRÉCÉDENTE PEUT NE PAS S'APPLIQUER.

DELL DÉCLINE TOUTE RESPONSABILITÉ, AU-DELÀ DES RECOURS INDIQUÉS DANS CETTE DÉCLARATION DE GARANTIE LIMITÉE, POUR LES DOMMAGES ACCIDENTELS OU INDUITS, Y COMPRIS POUR LA NON-DISPONIBILITÉ D'UN PRODUIT OU POUR LA PERTE DE DONNÉES OU DE LOGICIEL, ET CE SANS RESTRICTION.

CERTAINS ÉTATS (OU JURIDICTIONS) NE RECONNAISSENT PAS D'EXCLUSION OU DE RESTRICTION SUR LES DOMMAGES SECONDAIRES OU INDUITS, AUQUEL CAS L'EXCLUSION OU LES RESTRICTIONS PRÉCÉDENTES PEUVENT NE PAS S'APPLIQUER.

Ces conditions s'appliquent uniquement à la garantie limitée de trois ans fournie par Dell. Pour les réserves sur tout contrat de service couvrant votre système, reportez-vous à votre facture ou au contrat de service séparé que vous recevrez.

Si Dell choisit de remplacer un système ou un composant, l'échange se fera conformément à la règle sur les retours de Dell en vigueur à la date de l'échange. Dans les cas où Dell délivre un numéro d'autorisation de retour du matériel, Dell doit recevoir le(s) produit(s) à réparer avant l'expiration de la période de garantie afin que les réparations soient couvertes par ladite garantie.

Garantie limitée à trois ans (Canada seulement)

Dell Computer Corporation (« Dell ») fabrique ses produits à partir de pièces et de composants neufs ou quasiment neufs conformément aux pratiques industrielles standard. Dell garantit que ses produits sont exempts de tout défaut matériel et de fabrication. La garantie est valable pendant trois ans à compter de la date de facturation, comme indiqué ci-dessous.

Les éventuels dommages causés lors de l'expédition des produits chez le client sont couverts par cette garantie limitée. Par ailleurs, cette garantie limitée ne couvre pas les dommages résultant de causes externes : accidents, usage abusif ou à mauvais escient, problèmes d'alimentation électrique, interventions non autorisées par Dell, utilisation non conforme aux instructions du produit, non-exécution de l'entretien préventif exigé et problèmes dus à l'utilisation de pièces et de composants non fournis par Dell.

Cette garantie limitée ne s'applique pas aux articles des catégories suivantes : logiciels, périphériques (à l'exception de ceux spécifiquement indiqués), accessoires ou pièces ajoutés à un système Dell après son expédition par Dell, accessoires ou pièces ajoutés à un système Dell par le département d'intégration du système Dell, accessoires ou pièces qui ne sont pas installés à l'usine Dell ou produits DellWare. Les moniteurs, claviers et souris de marque Dell ou inclus dans la liste des prix standard de Dell sont couverts par cette garantie limitée ; tous les autres moniteurs, claviers et souris (y compris ceux vendus par le programme DellWare) ne sont pas couverts. Les batteries des ordinateurs portables ne sont couvertes que pendant la première année de cette garantie limitée.

Garantie pendant la première année

Lors de la première année à compter de la date de facturation, Dell répare ou remplace les produits qui sont retournés à l'usine Dell et qui sont couverts par cette garantie limitée. Pour obtenir le service de garantie, vous devez contacter le Support technique clients de Dell dans les limites de la période de garantie. Reportez-vous à la section « Obtention de l'aide » du *Guide d'utilisation* pour obtenir les informations relatives à l'assistance clientèle. Si une réparation sous garantie est nécessaire, Dell vous fournira un numéro d'autorisation de retour du matériel. Vous devez renvoyer les produits à Dell dans leur emballage d'origine ou un équivalent, payer d'avance les frais d'expédition et assurer l'envoi ou accepter les risques de perte ou de dommage pendant l'acheminement. Dell vous renverra le produit réparé ou le remplacera à ses frais si vous utilisez une adresse au Canada, le cas échéant. Les expéditions vers d'autres destinations sont payées à la réception.



REMARQUE : Avant d'expédier les produits à Dell, sauvegardez les données des disques durs et de tout autre dispositif de stockage des produits. Retirez tous les supports amovibles, tels que les disquettes, CD ou cartes PC. Dell décline toute responsabilité en cas de perte de données ou de logiciels.

Dell est propriétaire de toutes les pièces retirées des produits réparés. Dell utilise des pièces neuves ou remises en état provenant de différents fabricants pour les réparations sous garantie et pour la fabrication de produits de remplacement. Quand Dell répare ou remplace un produit, les termes de sa garantie ne sont pas étendus.

Garantie pendant la deuxième et la troisième années

Pendant la deuxième et la troisième années de cette garantie limitée, Dell fournit, sur une base d'échange et en conformité avec la règle sur les retours de Dell effective à la date de l'échange, des pièces de rechange pour les produits matériels Dell couverts par cette garantie limitée, quand une pièce doit être remplacée. Vous devez indiquer chaque défaillance matérielle Support technique clients de Dell afin que Dell convienne de la nécessité du remplacement de la pièce et expédie la pièce de rechange. Dell expédie les pièces (à ses frais) si vous utilisez une adresse au Canada, le cas échéant. Les expéditions vers d'autres destinations sont payées à la réception. Dell inclut un emballage d'expédition prépayé avec chaque pièce de rechange, afin que vous renvoyiez la pièce remplacée à Dell. Les pièces de rechange sont neuves ou remises en état. Dell peut fournir des pièces de rechange provenant de fabricants divers. Les conditions de garantie pour une pièce de rechange sont celles qui s'appliquent encore pour la garantie limitée.

Toute pièce de rechange défectueuse et remplacée non renvoyée à Dell devra être payée. La procédure de retour des pièces défectueuses, ainsi que votre engagement à payer les pièces de rechange dont vous n'auriez pas renvoyé à Dell l'équivalent défectueux, sont conformes à la règle sur les retours en vigueur à la date de l'échange.

Vous acceptez la pleine responsabilité pour votre logiciel et vos données. Dell n'a pas à vous indiquer ou à vous rappeler les procédures de sauvegarde et les autres procédures appropriées.

Conditions générales

DELL N'ACCORDE AUCUNE GARANTIE OU CONDITION EXPRESSE AU-DELÀ DE CELLES MENTIONNÉES DANS LE PRÉSENT CONTRAT DE GARANTIE LIMITÉE. DELL DÉCLINE TOUTE AUTRE GARANTIE OU CONDITION EXPRESSE OU IMPLICITE, INCLUANT SANS RESTRICTION LES GARANTIES ET CONDITIONS IMPLICITES DE QUALITÉ OU D'ADAPTABILITÉ À UN USAGE PARTICULIER. CERTAINS ÉTATS (OU JURIDICTIONS) NE RECONNAISSENT PAS DE RESTRICTION POUR LES GARANTIES OU CONDITIONS IMPLICITES, AUQUEL CAS LA RESTRICTION PRÉCÉDENTE PEUT NE PAS S'APPLIQUER.

LA RESPONSABILITÉ DE DELL POUR LE FONCTIONNEMENT DÉFECTUEUX ET LES DÉFAUTS DU MATÉRIEL EST LIMITÉE À LA RÉPARATION OU AU REMPLACEMENT COMME INDIQUÉ DANS CE CONTRAT DE GARANTIE LIMITÉE. CES GARANTIES VOUS DONNENT DES DROITS LÉGAUX SPÉCIFIQUES, AUXQUELS PEUVENT S'AJOUTER D'AUTRES DROITS, QUI VARIENT AU CAS PAR CAS (OU SELON LA JURIDICTION).

DELL DÉCLINE TOUTE RESPONSABILITÉ, AU-DELÀ DES RECOURS INDIQUÉS DANS CETTE DÉCLARATION DE GARANTIE LIMITÉE, POUR LES DOMMAGES ACCIDENTELS OU INDUITS, Y COMPRIS POUR LA NON-DISPONIBILITÉ D'UN PRODUIT OU POUR LA PERTE DE DONNÉES OU DE LOGICIEL, ET CE SANS RESTRICTION.

CERTAINS ÉTATS (OU JURIDICTIONS) NE RECONNAISSENT PAS D'EXCLUSION OU DE RESTRICTION SUR LES DOMMAGES SECONDAIRES OU INDUITS, AUQUEL CAS L'EXCLUSION OU LES RESTRICTIONS PRÉCÉDENTES PEUVENT NE PAS S'APPLIQUER.

Ces conditions s'appliquent uniquement à la garantie limitée de trois ans fournie par Dell. Pour les réserves sur tout contrat de service couvrant votre système, reportez-vous à votre facture ou au contrat de service séparé que vous recevrez.

Si Dell choisit de remplacer un système ou un composant, l'échange se fera conformément à la règle sur les retours de Dell en vigueur à la date de l'échange. Dans les cas où Dell délivre un numéro d'autorisation de retour du matériel, Dell doit recevoir le(s) produit(s) à réparer avant l'expiration de la période de garantie afin que les réparations soient couvertes par ladite garantie.

Règle de renvoi « Satisfait ou remboursé » (États-Unis et Canada seulement)

En qualité de client et utilisateur final ayant acheté de nouveaux produits directement à une société Dell, vous êtes en droit de les retourner à Dell dans un délai de 30 jours à compter de la date de facturation pour un remboursement ou un avoir équivalent au prix d'achat. En qualité de client et utilisateur final ayant acheté des produits recyclés à une société Dell, vous êtes en droit de les retourner dans un délai de 14 jours à compter de la date de facturation pour un remboursement ou un avoir équivalent au prix d'achat. Dans un cas comme dans l'autre, le remboursement ou l'avoir n'inclut pas les frais de livraison et d'emballage indiqués sur votre facture. Si vous avez acheté nos produits en tant que société liée à Dell par un contrat écrit, les termes stipulés dans ce contrat au sujet du retour des produits peuvent différer de ceux spécifiés par la règle de retour.

Pour retourner les produits, vous devez contacter le Service Clientèle de Dell qui vous fournira un numéro d'autorisation de retour pour crédit. Reportez-vous à la section « Obtention de l'aide » du *Guide d'utilisation* pour obtenir les informations relatives à l'assistance clientèle. Afin d'accélérer la procédure de remboursement ou d'avoir, Dell attend que vous lui renvoyiez les produits dans leur emballage d'origine dans les cinq jours suivant l'attribution d'un numéro d'autorisation de retour pour crédit. Vous devez également payer d'avance les frais d'expédition et assurer l'envoi ou accepter les risques de perte ou de dommage pendant l'acheminement. Vous ne pouvez renvoyer le logiciel pour un remboursement ou un avoir que si l'emballage scellé contenant les disquettes ou les CD n'a pas été ouvert. Les produits renvoyés doivent être comme neufs, et tous les guides, disquettes, CD, cordons d'alimentation et autres accessoires compris avec le produit doivent être renvoyés avec lui. Les clients désirant renvoyer, pour remboursement ou avoir uniquement, un des logiciels d'application ou un système d'exploitation installé par Dell doivent retourner le système dans son intégralité, avec tous les supports et la documentation inclus dans la livraison d'origine.

Cette règle de retour « Satisfait ou remboursé » ne s'applique pas aux produits DellWare, qui peuvent être retournés selon la règle de retour de DellWare actuellement en vigueur. En outre, les éléments recyclés achetés à la Vente de Pièces Détachées Dell au Canada ne peuvent être retournés.

Estação de Expansão C/Dock II do Dell™ Latitude™

Guia Informações do Sistema



Notas, Avisos e Cuidados



NOTA: Fornece informações importantes que ajudam você a usar melhor o computador.



AVISO: Informa sobre um dano potencial no hardware ou perda de dados e ensina a evitar o problema.



CUIDADO: Indica a possibilidade de danos à propriedade, danos pessoais ou morte.

As informações contidas neste documento estão sujeitas a alterações sem aviso prévio.

© 2001 Dell Computer Corporation. Todos os direitos reservados.

É proibida a reprodução sem permissão por escrito da Dell Computer Corporation .

Marcas comerciais utilizadas neste texto: *Dell*, o logotipo da *DELL*, *Latitude* e *DellWare* são marcas comerciais da Dell Computer Corporation; *3Com* é uma marca comercial da 3Com Corporation; *Microsoft*, *Windows* e *Windows NT* são marcas comerciais registradas da Microsoft Corporation.

Outros nomes e marcas comerciais podem ser usados neste documento como uma referência às entidades que reivindicam as marcas e aos nomes de seus produtos. A Dell renuncia ao direito de qualquer participação em nomes e marcas comerciais que não sejam de sua propriedade.

Este produto incorpora a tecnologia de proteção de direitos autorais protegida por ações de método de certas patentes norte-americanas e outros direitos de propriedade intelectual da Macrovision Corporation e outros detentores de direitos. O uso dessa tecnologia de proteção de direitos autorais deve ser autorizado pela Macrovision Corporation, sendo permitido apenas para fins domésticos e outros fins com exibição limitada, a menos que outro uso seja autorizado pela Macrovision Corporation. É proibido efetuar engenharia reversa ou desmontagem.

Outubro de 2001 P/N 5G287 Rev. A02

Estação de Expansão C/Dock II do Dell™ Latitude™

Guia Informações do Sistema

Este documento contém informações introdutórias, de segurança, de regulamentação e de garantia sobre a Estação de Expansão C/Dock II do Dell Latitude, além de informações sobre outros documentos da Dell disponíveis e como obtê-los.

Outros Documentos Disponíveis

- Atualizações da documentação, que acompanham ocasionalmente o dispositivo de encaixe para descrever as alterações efetuadas no dispositivo ou no software. Leia sempre essas atualizações *antes* de consultar qualquer outra documentação porque elas contêm normalmente as informações mais recentes.
- Documentação incluída em todos os opcionais adquiridos separadamente do dispositivo de encaixe. Essa documentação inclui informações necessárias para configurar e instalar esses opcionais no dispositivo de encaixe.

Obtendo Ajuda

A Dell fornece várias ferramentas para ajudá-lo caso o seu dispositivo de encaixe não funcione conforme o esperado. Para obter informações sobre essas ferramentas de ajuda, consulte a seção “Obtendo Ajuda” no *Guia do Usuário* do computador.

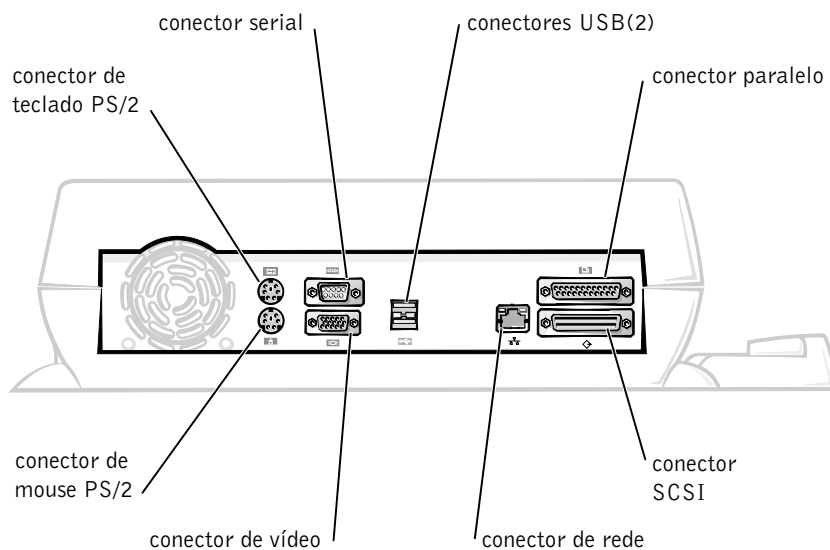
Visão Geral do Dispositivo de Encaixe

NOTA: Avise o administrador da rede antes de conectar o dispositivo de encaixe a uma rede.

Você precisa acoplar um adaptador CA ao dispositivo de encaixe antes de encaixar o computador no dispositivo de encaixe e ligá-lo. O adaptador CA aciona o dispositivo de encaixe e o computador ao mesmo tempo. Qualquer bateria instalada no computador será carregada enquanto o dispositivo de encaixe estiver sendo usado.









AVISO: Sempre use o adaptador CA PA-6 da Dell fornecido com o dispositivo de encaixe. Se você usar qualquer outro adaptador CA disponível no mercado — ou o adaptador CA de modelos mais antigos de computadores da Dell — poderá danificar o dispositivo de encaixe ou o computador.

Painel E/S do Dispositivo de Encaixe



A tabela “Conectores E/S Externos” mostra os ícones de cada conector na parte de trás do dispositivo de encaixe e indica o tipo de dispositivo(s) externo(s) que pode(m) ser acoplado(s) a cada conector.

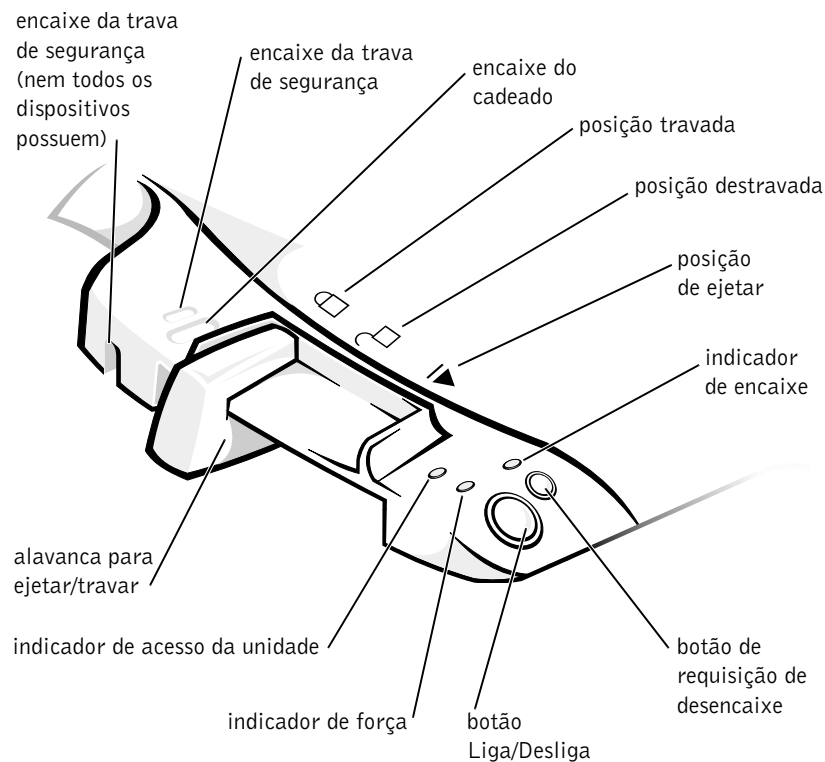
Conectores E/S Externos

Ícone do Conector	Descrição do Conector
	Um ou dois dispositivos USB (um mouse USB, por exemplo) são acoplados ao conector duplo USB.
	Um teclado externo de estilo PS/2 ou um teclado numérico externo é acoplado ao conector de teclado PS/2.
	Um mouse externo compatível com PS/2 é acoplado ao conector de mouse PS/2.
	Um dispositivo serial (por exemplo, um mouse ou um modem externo) é acoplado ao conector da porta serial.
	Um cabo de interface de rede é acoplado ao conector NIC.
	Um dispositivo paralelo (por exemplo, uma impressora) é acoplado ao conector da porta paralela.
	Um monitor externo é acoplado ao conector de vídeo.
	O adaptador CA fornecido com o dispositivo de encaixe é acoplado ao conector do adaptador CA.

Conectores de Áudio e Sensor Infravermelho



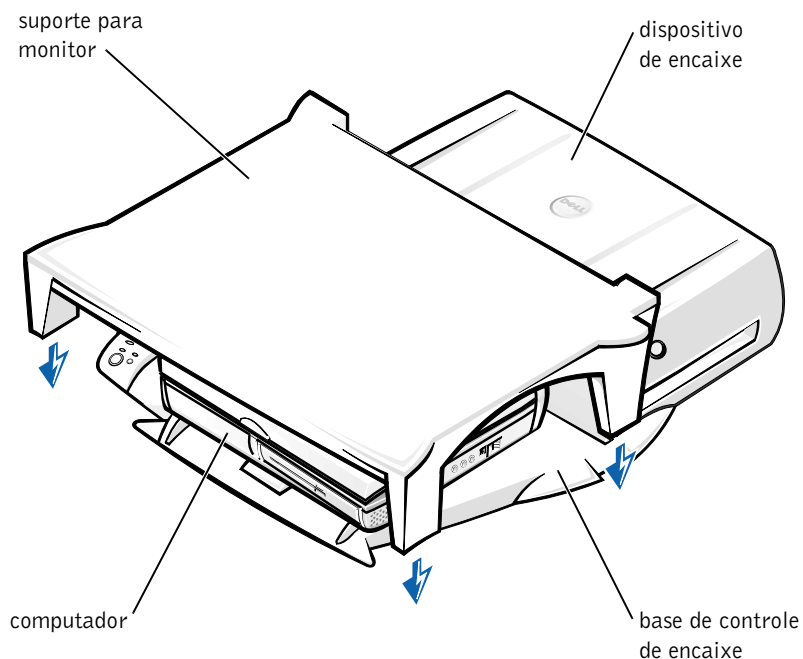
Indicadores e Controles da Base de Controle de Encaixe



Suporte para Monitor

- ➔ **AVISO:** O suporte aceita monitores com peso de até 45,3 quilogramas (kg) (100 libras [lb]). Monitores mais pesados podem danificar o suporte, o computador e o dispositivo de encaixe.


Dispositivo de Encaixe com Suporte para Monitor



NOTA: Certifique-se de conectar os pés traseiros do suporte do monitor aos encaixes localizados em cada lado da base de controle de encaixe.

Antes de Encaixar o Computador

Se o computador estiver executando o sistema operacional Microsoft® Windows® 9x, Windows NT® ou Windows Millennium (Me), você deverá verificar primeiro os drivers de encaixe existentes no computador. Se os drivers de encaixe não estiverem instalados, instale-os antes de encaixar o computador pela primeira vez. Para instalar os drivers de encaixe, siga as etapas em “Instalando Drivers de Encaixe”.

 **NOTA:** Se o computador estiver executando o sistema operacional Windows XP ou Windows 2000, os drivers serão instalados automaticamente e não será necessário seguir as etapas em “Instalando Drivers de Encaixe”. Vá para “Encaixando o Computador”.

Verificar a Existência de Drivers de Encaixe no Computador

- 1 Clique duas vezes em **My Computer (Meu computador)**.
- 2 Clique duas vezes em **Control Panel (Painel de controle)**.
- 3 Clique duas vezes em **Add/Remove Programs (Adicionar ou remover programas)**.
- 4 Localize os drivers de encaixe corretos na lista de programas.

No *Windows 9x e Windows Me*, procure o driver que tenha **Quick Install (Instalação Rápida)** no nome. Por exemplo: Dell Dock Quick Install for Windows.

No *Windows NT*, procure o driver **NT Softex Docking Services**.

Se os drivers de encaixe não estiverem instalados no computador, vá para a próxima seção, “Instalando Drivers de Encaixe”. Se os drivers de encaixe estiverem instalados, vá para “Encaixando o Computador”.

Instalando Drivers de Encaixe

Você pode instalar os drivers de encaixe de uma das seguintes maneiras:

- Instale os drivers a partir do *ResourceCD* ou do *CD Drivers and Utilities (Drivers e Utilitários)* fornecido com o computador ou o dispositivo de encaixe.
- Faça o download dos drivers do site de suporte da Dell na Web.

Instalando Drivers de Encaixe a partir do *ResourceCD* ou do *CD Drivers and Utilities (Drivers e Utilitários)*

- 1** Insira o *ResourceCD* ou o *CD Drivers and Utilities (Drivers e Utilitários)* na unidade de CD.

Em geral, o CD começa a ser executado automaticamente. Se isso não ocorrer, inicie o Windows Explorer, clique no diretório da unidade de CD para exibir o conteúdo do CD e, em seguida, clique duas vezes no arquivo do aplicativo **autorcd**. Se a tela de boas-vindas for exibida, clique em **Next (Avançar)**. Na primeira vez que você executar o CD, talvez seja solicitado a instalar alguns arquivos de configuração. Clique em **OK** e siga as instruções na tela para continuar.

- 2** No menu pull-down **Language (Idioma)** na barra de ferramentas, selecione o idioma preferido para o driver (se disponível).

Uma tela de boas-vindas é exibida.

- 3** Clique em **Next (Avançar)**.

- 4** Em **Search Criteria (Critérios de Pesquisa)**, selecione as categorias adequadas nos menus suspensos **System Model (Modelo do Sistema)** e **Operating System (Sistema Operacional)**.

Se o sistema estiver executando Windows 9x ou Windows Me, selecione **System Utilities (Utilitários do Sistema)** no menu pull-down **Device Type (Tipo de Dispositivo)** e selecione **Drivers** no menu pull-down **Topic (Tópico)**.

Se o sistema estiver executando Windows NT, selecione **System Utilities (Utilitários do Sistema)** no menu pull-down **Device Type (Tipo de Dispositivo)** e selecione **Utilities (Utilitários)** no menu pull-down **Topic (Tópico)**.

Um ou mais vínculos são exibidos para os drivers ou utilitários específicos usados pelo seu computador.

- 5** *Se o sistema estiver executando Windows 9x ou Windows Me*, clique no vínculo para o utilitário **Dell Dock QuickInstall**.

O arquivo **Dell Dock QuickInstall** é um utilitário que instala os drivers de encaixe necessários no computador.

Se o computador estiver executando o Windows NT, clique no vínculo para o **Softex Docking Services**.

- 6 Clique no botão **Install (Instalar)** para iniciar a instalação automática. Na tela de boas-vindas, siga as solicitações da tela para concluir a instalação.



NOTA: Pode ser que os usuários de alguns ResourceCDs tenham de navegar pelas pastas para obter o driver correto. Para obter instruções completas sobre como reinstalar drivers, consulte o *Guia do Usuário*.

Instalando Drivers de Encaixe do Site de Suporte da Dell na Web

- 1 Você pode acessar o suporte da Dell na internet no endereço <http://support.dell.com> (em Inglês). Se você estiver visitando o site da Web pela primeira vez, especifique seu país clicando no mapa exibido. A página **Welcome to support.dell.com** (em Inglês) será aberta.
- 2 Digite as informações do dispositivo de encaixe e clique em **Go! (Ir!)**. Clique em **Downloads For Your Dell (Downloads para o seu sistema Dell)**.
A janela **Downloads For Your Dell (Downloads para o seu sistema Dell)** é exibida, incluindo um breve formulário para você preencher.
- 3 Insira o número da etiqueta de serviço ou selecione seu sistema Dell.
- 4 Selecione o sistema operacional e seu respectivo idioma.
- 5 Selecione **System and Configuration Utilities (Utilitários de Configuração e Sistema)** como categoria de download.
- 6 Clique em **Go! (Ir)**.
- 7 *Se o computador estiver executando Windows 9x ou Windows Me*, localize e clique no vínculo para o utilitário **Dell Dock QuickInstall**.
Se o computador estiver executando o Windows NT, localize e clique no vínculo para **Softex Docking Services**.
- 8 Siga as instruções exibidas na tela para fazer o download e instalar os drivers exigidos.
Depois de fazer o download dos arquivos e antes de instalar os drivers, leia o arquivo **leiametext**, que está incluído nos arquivos descarregados, para obter informações importantes sobre a instalação.

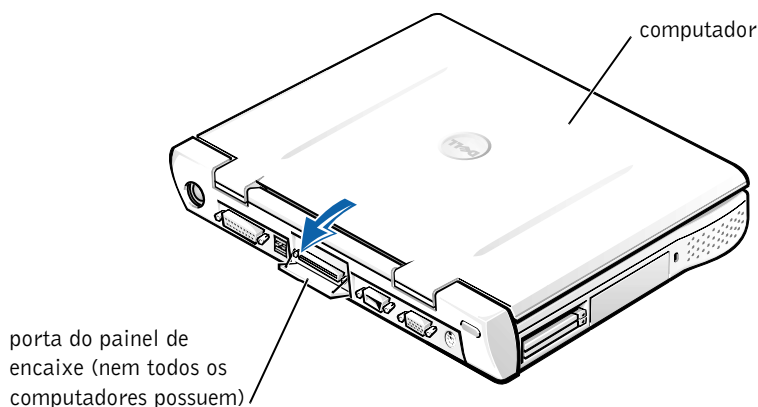
Encaixando o Computador

Se você acoplar um monitor ao dispositivo de encaixe e ligá-lo, a imagem da tela será exibida no monitor. Para exibir a imagem no vídeo do computador, ou tanto no monitor quanto no vídeo do computador, pressione <Fn><F8>.

Quando você encaixar o computador no dispositivo de encaixe e ligá-lo, a luz de força verde na base de controle de encaixe acenderá (consulte “Indicadores e Controles da Base de Controle de Encaixe”).

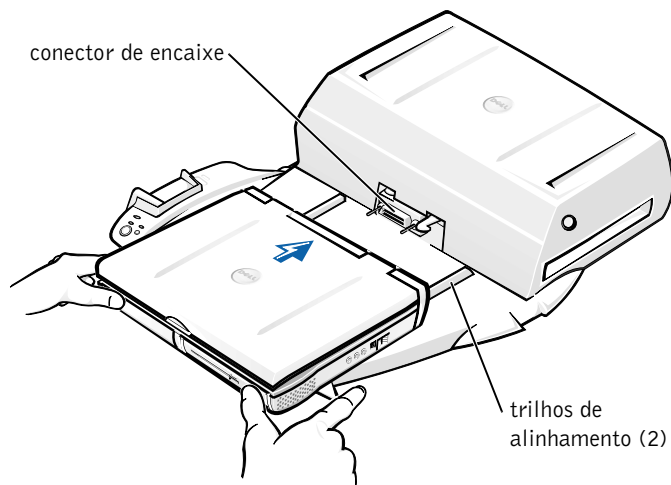
- ➔ **AVISO:** Para evitar a perda de dados, salve quaisquer arquivos abertos antes de encaixar o computador.
- ➔ **AVISO:** Se uma placa de vídeo PCI (Interconexão de Componentes Periféricos) estiver instalada no dispositivo de encaixe, desligue o computador antes de encaixar ou desencaixar para evitar a perda de dados.
- 1 Salve todos os arquivos, feche e encerre todos os programas aplicativos, saia do sistema operacional e desligue o computador.
- ➔ **AVISO:** Para evitar danos ao conector de encaixe, abra a porta do painel de encaixe antes de tentar encaixar o computador no dispositivo de encaixe.
- 2 Se o computador tiver uma porta no painel de encaixe, abra essa porta na parte de trás do computador.

Porta do Painel de Encaixe no Computador



- 3 Se você estiver usando o dispositivo de encaixe com um suporte para monitor, feche a tela do computador.
- 4 Certifique-se de que a alavanca para ejetar/travar esteja na posição destravada.
- 5 Acople o computador ao dispositivo de encaixe da seguinte forma:


Encaixando o Computador



- a Centralize o computador horizontalmente na plataforma do dispositivo de encaixe, com a parte de trás voltada para o conector do dispositivo de encaixe, conforme mostrado em “Encaixando o Computador”.
- b Deslize o computador em direção ao conector até sentir que os entalhes no fundo do computador estão presos aos trilhos de alinhamento.

➔ **AVISO:** Se tentar empurrar o computador no dispositivo de encaixe sem prender os trilhos de alinhamento, você poderá danificar de forma irreparável o conector de encaixe do computador.

➔ **AVISO:** Não levante o computador ou o dispositivo de encaixe separadamente quando eles estiverem conectados, pois isso poderá causar danos aos conectores no computador e no dispositivo de encaixe.


-  **AVISO:** Se você estiver usando um monitor com suporte, remova o monitor do suporte antes de encaixar a base de controle de encaixe.
- c Empurre com cuidado o computador para frente até que o conector de encaixe esteja totalmente preso.


Encaixando pela Primeira Vez com o Windows XP e Windows 2000

- 1 Encaixe e ligue o computador.
- 2 Pressione <F2> durante a rotina de inicialização do sistema para visualizar o programa de configuração do sistema.
- 3 Defina **Docking IRQ (IRQ de Encaixe)** como **Optimized (Otimizado)**.
- 4 Defina **Universal Connect (Conexão Universal)** como **Enabled (Ativada)**.
- 5 Saia do programa de configuração do sistema.

O sistema continuará o processo de inicialização.

No Windows 2000, o **Add New Hardware Wizard (Assistente para adicionar novo hardware)** é exibido.

 **NOTA:** *No Windows XP*, o sistema operacional instala os drivers automaticamente no segundo plano. *No Windows 2000*, o Add New Hardware Wizard (Assistente para adicionar novo hardware) instala os drivers automaticamente.

 **NOTA:** No Windows XP e Windows 2000, para reinstalar drivers ou assegurar que os melhores drivers estejam instalados, consulte "Atualizando Drivers no Windows XP, Windows 2000 ou Windows Me" posteriormente neste documento.

Encaixando pela Primeira Vez com o Windows Me

- 1 Encaixe e ligue o computador.
- 2 Pressione <F2> durante a rotina de inicialização do sistema para visualizar o programa de configuração do sistema.
- 3 Defina **Docking IRQ (IRQ de Encaixe)** como **Optimized (Otimizado)**.
- 4 Defina **Universal Connect (Conexão Universal)** como **Enabled (Ativada)**.

- 5 Saia do programa de configuração do sistema.
O sistema continuará o processo de inicialização.
O **Add New Hardware Wizard (Assistente para adicionar novo hardware)** é exibido.
- 6 Selecione a opção **Search for the Best Driver for Your Device (Recommended) (Procurar o melhor driver para seu dispositivo - Recomendado)** e clique em **Next (Avançar)**.
- 7 Clique em **Next (Avançar)**.
- 8 Siga as solicitações em **Add New Hardware Wizard (Assistente para adicionar novo hardware)**.
- 9 Sempre que solicitado, selecione a opção **Search for the Best Driver for Your Device (Recommended) (Procurar o melhor driver para seu dispositivo - Recomendado)** e clique em **Next (Avançar)**.
- 10 Continue seguindo as solicitações para concluir a instalação.
A área de trabalho do Windows será exibida e a instalação será concluída.

Encaixando pela Primeira Vez com o Windows NT 4.0

- 1 Encaixe e ligue o computador.
- 2 Pressione <F2> durante a rotina de inicialização do sistema ou pressione <Fn><F1> depois da inicialização do computador para visualizar o programa de configuração do sistema.
- 3 Defina **Docking IRQ (IRQ de Encaixe)** como **Optimized (Otimizado)**.
- 4 Defina **Universal Connect (Conexão Universal)** como **Enabled (Ativada)**.
- 5 Saia do programa de configuração do sistema.
- 6 Pressione <Ctrl><Alt> para se conectar.
A janela **Docking Station Setup (Configuração da Estação de Encaixe)** é exibida e indica que o computador deve ser desencaixado para continuar.
- 7 Clique em **OK** e espere que o computador seja desligado.

- 8** Desencaixe o computador (consulte “Desencaixando o Computador”).
O computador é reiniciado automaticamente. Se isso não acontecer, ligue o computador.
- 9** Selecione **OK** na janela **Device Removal (Remoção do Dispositivo)**.
- 10** Clique em **Start (Iniciar)** e selecione **Shut Down (Desligar)**.
- 11** Espere o desligamento completo do computador e encaixe-o novamente no dispositivo de encaixe.
O computador é reiniciado automaticamente. Se isso não acontecer, ligue o computador.
- 12** Pressione <Ctrl><Alt> para se conectar.
O computador detectará automaticamente os novos dispositivos.
- 13** Quando solicitado, selecione **Install System Provided Driver for the Selected Device (Recommended) (Instalar driver fornecido pelo sistema para o dispositivo selecionado [Recomendado])** e clique em **OK**.
- 14** Clique em **Continue (Continuar)** na janela **Windows NT Setup (Instalação do Windows NT)**.
- 15** Selecione **Install System Provided Driver for the Selected Device (Recommended) (Instalar driver fornecido pelo sistema para o dispositivo selecionado [Recomendado])** e clique em **OK**.
- 16** Selecione o nome do controlador de interface de rede (NIC, network interface controller) no menu suspenso.
- 17** Defina se o adaptador de rede deverá obter um endereço IP de um servidor ou se um endereço IP será especificado.
Se você não souber o que selecionar, consulte o administrador do sistema.
- 18** Siga as instruções para concluir a instalação.

A área de trabalho do Windows será exibida e a instalação será concluída.

O computador não pode entrar no modo de suspensão para o disco enquanto estiver encaixado.

Encaixando pela Primeira Vez com o Windows 98


- 1 Encaixe e ligue o computador.
- 2 Pressione <F2> durante a rotina de inicialização do sistema ou pressione <Fn><F1> depois da inicialização do computador para visualizar o programa de configuração do sistema.
- 3 Defina **Docking IRQ (IRQ de Encaixe)** como **Optimized (Otimizado)**.
- 4 Defina **Universal Connect (Conexão Universal)** como **Enabled (Ativada)**.
- 5 Saia do programa de configuração do sistema.
- 6 Se a janela **Configuration Setup (Configuração)** for exibida, clique em **OK**.
O **Add New Hardware Wizard (Assistente para adicionar novo hardware)** é exibido.
- 7 Clique em **Next (Avançar)**.
- 8 Selecione a opção **Search for the Best Driver for Your Device (Recommended) (Procurar o melhor driver para seu dispositivo [Recomendado])** e clique em **Next (Avançar)**.
- 9 Remova a marca de seleção ao lado de cada opção e clique em **Next (Avançar)**.
Uma janela será exibida, indicando que o Windows está pronto para detectar o melhor driver para o dispositivo.
- 10 Siga as solicitações em **Add New Hardware Wizard (Assistente para adicionar novo hardware)**.
- 11 Sempre que solicitado, selecione a opção **Search for the Best Driver for Your Device (Recommended) (Procurar o melhor driver para seu dispositivo [Recomendado])** e clique em **Next (Avançar)**.
- 12 Continue seguindo as solicitações para concluir a instalação.

A área de trabalho do Windows será exibida e a instalação será concluída.

Encaixando pela Primeira Vez com o Windows 95

- 1 Encaixe e ligue o computador.
- 2 Pressione <F2> durante a rotina de inicialização do sistema ou pressione <Fn><F1> depois da inicialização do computador para visualizar o programa de configuração do sistema.
- 3 Defina **Docking IRQ (IRQ de Encaixe)** como **Optimized (Otimizado)**.
- 4 Defina **Universal Connect (Conexão Universal)** como **Enabled (Ativada)**.
- 5 Saia do programa de configuração do sistema.
O computador detectará automaticamente o novo hardware.
- 6 Clique em **Yes (Sim)** na janela **System Settings Change (Alterar Configurações do Sistema)**.
O computador será reiniciado e detectará automaticamente o novo hardware.
- 7 Se a janela **Configuration Setup (Configuração)** for exibida, clique em **OK**.
- 8 Clique em **OK** na janela **Network (Rede)**.
- 9 Selecione a guia **Identification (Identificação)** na próxima janela **Network (Rede)**.
- 10 Digite um **Computer Name (Nome do Computador)** e um **Workgroup (Grupo de Trabalho)** que identifiquem o seu computador na rede e clique em **Close (Fechar)**.

Se você não tiver certeza sobre o **Computer Name (Nome do Computador)** e o **Workgroup (Grupo de Trabalho)** a serem digitados, consulte o administrador do sistema.

 **NOTA:** Você precisa digitar o **Computer Name (Nome do Computador)** e o **Workgroup (Grupo de Trabalho)** para continuar a instalação do driver.

O computador copiará automaticamente os arquivos e criará um banco de dados com informações de driver.

- 11 Clique em **Yes (Sim)** na janela **System Settings Change (Alterar Configurações do Sistema)**.

O computador é reiniciado.

A janela **Enter Network Password (Digitar Senha da Rede)** é exibida. Caso não deseje configurar um nome de usuário e uma senha agora, ou se ainda não os tiver recebido do administrador do sistema, clique em **Cancel (Cancelar)**.

O computador detectará automaticamente o novo hardware.

- 12 Clique em **OK** na janela **Configuration Setup (Configuração)**.

A área de trabalho do Windows será exibida e a instalação será concluída.



NOTA: Para usar os conectores USB, você precisa instalar o suplemento USB do *ResourceCD* no diretório **Win95\OSUpdate**. Se você instalar o suplemento USB, seu computador não poderá entrar no modo de suspensão. A Dell recomenda que você não instale o suplemento USB a menos que pretenda usar dispositivos USB.

Atualizando Drivers no Windows XP e no Windows 2000

Para atualizar drivers no Windows XP e no Windows 2000:

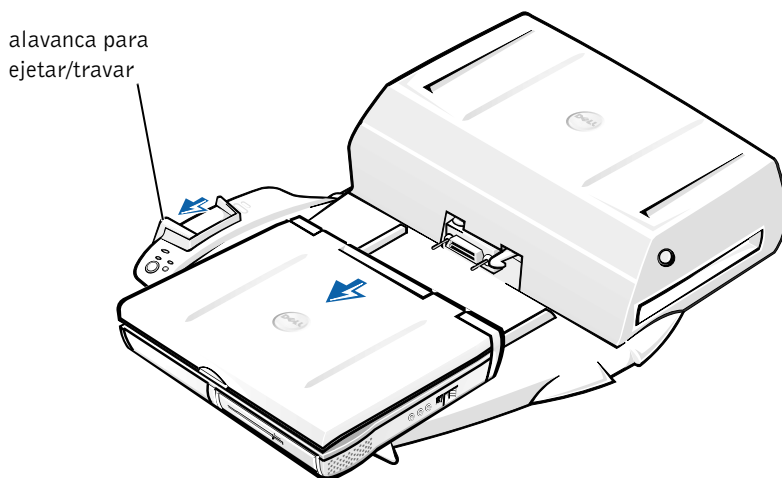
- 1 Clique com o botão direito do mouse em **My Computer (Meu Computador)** e, em seguida, clique em **Manage (Gerenciar)**. (No *Windows XP*, clique no botão **Start (Iniciar)** para acessar **My Computer (Meu computador)**. No *Windows 2000*, **My Computer (Meu Computador)** está localizado na área de trabalho do Windows.)
- 2 Na janela **Computer Management (Gerenciamento do Computador)**, clique em **Device Manager (Gerenciador de dispositivos)** e clique duas vezes em **Network adapters (Adaptadores rede)**.
- 3 Clique duas vezes em **3Com 3C920 Integrated Fast Ethernet Controller**.
- 4 Clique na guia **Drivers**.
- 5 Clique em **Update Driver... (Atualizar driver)** e siga as solicitações.

Atualizando Drivers no Windows Me

Para atualizar drivers no Windows Me:

- 1 Clique com o botão direito do mouse em **My Computer** (**Meu computador**) na área de trabalho e, em seguida, clique em **Properties** (**Propriedades**).
- 2 Na janela **System Properties** (**Propriedades do sistema**), clique na guia **Device Manager** (**Gerenciador de dispositivos**) e clique duas vezes em **Network adapters** (**Adaptadores de rede**).
- 3 Clique duas vezes em **3Com 3C920 Integrated Fast Ethernet Controller**.
- 4 Clique na guia **Drivers**.
- 5 Clique em **Update Driver...** (**Atualizar driver...**) e siga as solicitações.

Desencaixando o Computador



- ➔ **AVISO:** Se o computador não for alimentado por bateria,, ele será desligado quando for desencaixado e todos os dados que não tiverem sido salvos serão perdidos.

- ➔ **AVISO:** Nunca desenchaxe o computador sem primeiro prepará-lo. Se você desenchaxar o computador antes de prepará-lo, perderá dados e talvez o computador não funcione normalmente durante alguns minutos (talvez não funcione mais).

Para preparar o computador para o desenchaxe, siga uma destas etapas:

- Pressione <Fn><Esc> no teclado do computador (ou <Scroll Lock><Esc> em um teclado externo).

Aguarde alguns segundos até que a luz de força do computador apague.

- No *Windows XP*, clique no botão **Start (Iniciar)** e, em seguida, clique em **Undock Computer (Desenchaxar Computador)**.

No *Windows 95*, *Windows 98*, *Windows Me* ou *Windows 2000*, clique no botão **Start (Iniciar)** e, em seguida, clique em **Eject PC (Ejetar PC)**.

No *Windows NT*, clique no ícone de encaixe na barra de tarefas e, em seguida, clique em **Undock (Desenchaxar)** para colocar o computador no modo de suspensão.

Aguarde alguns segundos até que a luz de força do computador apague.

- Pressione o botão de solicitação de desenchaxe na base de controle de encaixe (consulte a figura “Indicadores e Controles da Base de Controle de Encaixe”). Aguarde até que a luz de encaixe verde apague.

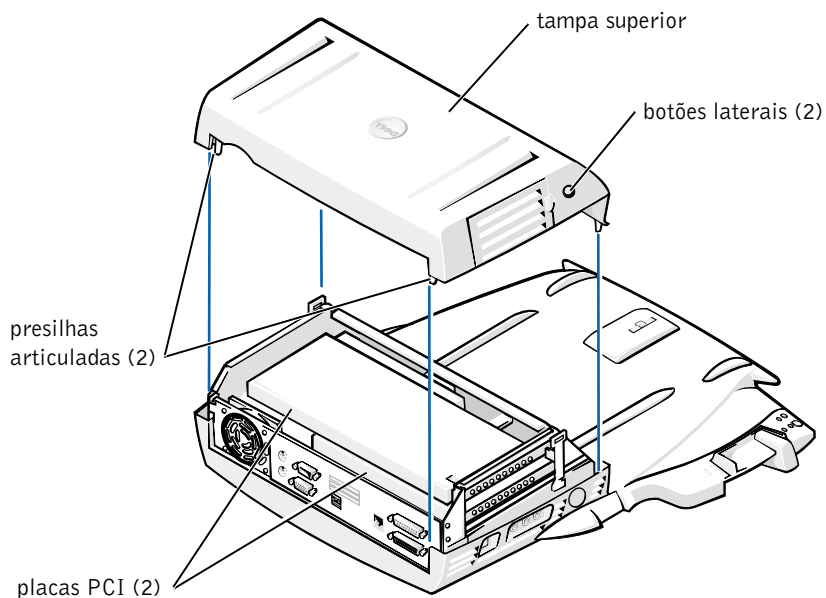
Substituindo a Bateria

Seu dispositivo de encaixe usa uma bateria de íons de lítio. A bateria de célula de íons de lítio é uma bateria de longa duração, que talvez nunca precise ser substituída. Entretanto, se precisar substituí-la, siga as etapas a seguir.

- ⚠ **CUIDADO:** Se a nova bateria não for instalada corretamente, haverá risco de explosão. Substitua a bateria somente com uma do mesmo tipo ou equivalente recomendado pelo fabricante. Descarte as baterias usadas de acordo com as instruções do fabricante.

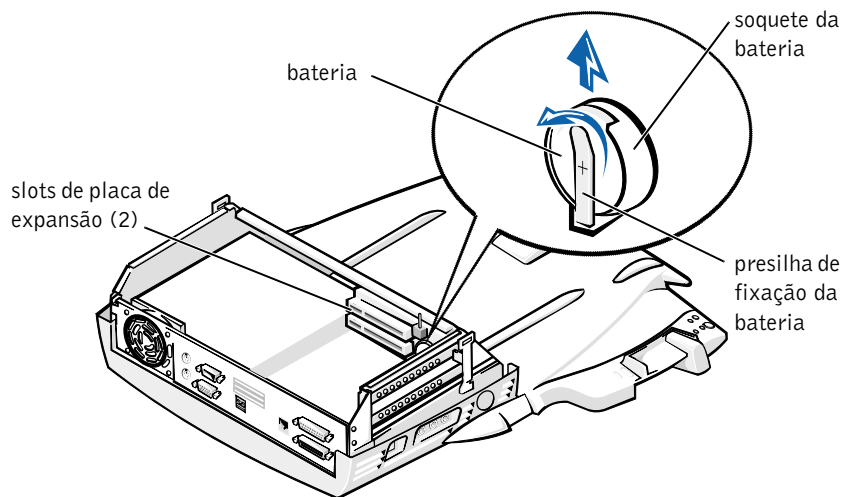
- 1** Desencaixe o computador conforme descrito em “Desencaixando o Computador”.
- 2** Desligue o interruptor de força no dispositivo de encaixe e desconecte o adaptador CA.
- 3** Remova a tampa superior pressionando os dois botões laterais e girando a tampa em direção à parte de trás da estação de expansão (consulte “Removendo a Tampa Superior”). Assim que a tampa estiver na posição vertical, solte as presilhas articuladas e remova por completo a tampa.

Removendo a Tampa Superior



- 4** Remova quaisquer placas instaladas dos slots de placa de expansão.

Substituindo a Bateria





- 5 Levante ligeiramente a presilha de fixação da bateria e remova a bateria do soquete.
- 6 O lado marcado com “+” da nova bateria deve ficar voltado para cima. Em seguida, insira a bateria no soquete e solte a presilha de segurança.

Não descarte esta bateria junto com o lixo doméstico. Entre em contato com a empresa de coleta de lixo de sua região para obter o endereço do local mais próximo para depósito da bateria.

Removendo e Instalando uma Placa de Expansão PCI

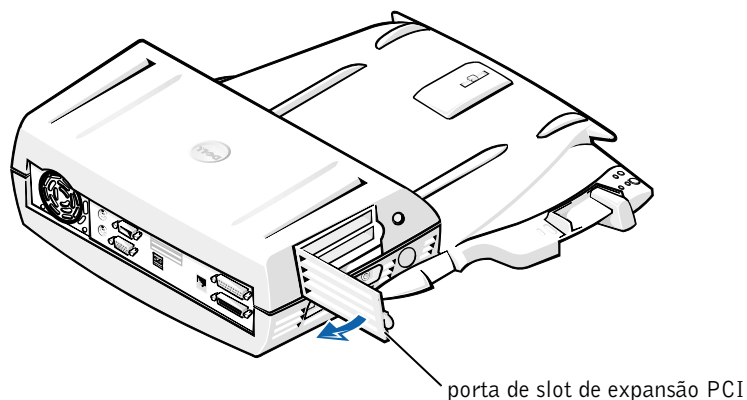
Para instalar uma placa de expansão de interconexão de componentes periféricos (PCI, Peripheral Component Interconnect) no dispositivo de encaixe, siga estas etapas.

 **NOTA:** No slot superior, instale placas de expansão PCI de 3,3 ou 5 volts (V), com 25,4 cm (10 polegadas) no máximo; no slot inferior, instale placas de expansão PCI de 3,3 ou 5 volts (V), com 15,5 cm (6,9 polegadas) no máximo.

 **AVISO:** Não toque nem segure qualquer objeto dentro do dispositivo de encaixe, exceto os objetos mencionados no procedimento a seguir. Se tocar em outros objetos, você poderá danificar o dispositivo de encaixe e invalidar a garantia.

- 1 Salve todos os arquivos, feche e saia de todos os programas aplicativos e saia do sistema operacional.
- 2 Desligue o computador.
- 3 Remova o monitor de seu suporte. Remova do dispositivo de encaixe o suporte do monitor.
- 4 Desencaixe o computador e deixe a alavanca para ejetar/travar na posição destravada.
- 5 Desconecte todos os cabos — inclusive o cabo do adaptador CA — do dispositivo de encaixe. Certifique-se de que a alavanca ejetar/travar não esteja na posição para trás/travada.
- 6 Pressione a trava na porta de slot de expansão PCI e remova-a. Consulte a figura a seguir.

Porta de Slot de Expansão PCI e Conector de Placa de Expansão



- 7 Remova a tampa superior pressionando os dois botões laterais e girando a tampa em direção à parte de trás do dispositivo de encaixe. Assim que a tampa estiver girada para trás, solte as presilhas articuladas da parte de trás do dispositivo de encaixe e remova por completo a tampa superior.

Consulte a figura “Removendo a Tampa Superior”.


- 8 Remova o parafuso que segura o suporte de montagem vazio e separe para uso no futuro.

Remova o suporte de montagem vazio. Se uma placa PCI estiver instalada, remova-a segurando a placa pelos cantos externos e soltando-a do conector.


- 9 Instale uma placa de expansão PCI.
 - a Insira o conector de borda de placa firmemente no conector da placa de expansão.
 - b Mova suavemente a placa no conector lado a lado até que ela esteja totalmente encaixada.
- 10 Recoloque o parafuso no suporte da placa PCI para fixá-la.

- 11 Recoloque a tampa superior prendendo as presilhas articuladas e abaixando cuidadosamente à frente da tampa superior. Ela estará alinhada corretamente quando você ouvir um clique indicando que os botões laterais estão devidamente encaixados.
- 12 Reconecte os cabos — inclusive o cabo do adaptador CA — que tinham sido desconectados em etapa 5.
- 13 Encaixe o computador.
- 14 Recoloque o suporte do monitor no dispositivo de encaixe e o monitor no respectivo suporte.
- 15 Ligue o computador.
- 16 Instale os drivers da placa PCI.

Se uma placa de rede do adaptador Token-Ring 16/4 para PCI tiver sido fornecida com o dispositivo de encaixe, é possível que a Dell tenha incluído um CD contendo os drivers e as instruções para instalação.


 **NOTA:** Se você estiver instalando drivers de rede para uma placa de rede do adaptador Token-Ring 16/4 para PCI, conecte o computador à rede antes de instalá-los. Avise o administrador da rede antes de conectar o dispositivo de encaixe a uma rede.

Se você estiver usando uma placa PCI que não tenha sido adquirida na Dell, use os drivers e as instruções fornecidas pelo fabricante da placa.

 **NOTA:** A placa de rede do adaptador Token-Ring 16/4 para PCI instalada pela Dell foi testada para uso com a Estação de Expansão C/Dock II. Embora seja possível instalar outras placas de expansão PCI, a Dell não garante sua funcionalidade.

Usando o Compartimento de Mídia C/Dock II

Qualquer dispositivo de mídia de seu computador (uma unidade de disquete ou de CD, por exemplo) pode ser usado no compartimento de mídia C/Dock II.

 **AVISO:** Para evitar danos ao dispositivo de encaixe ou ao de mídia, não instale no compartimento de mídia do dispositivo de encaixe qualquer dispositivo que você normalmente não usa no computador.

- ➔ **AVISO:** Para evitar danos ao dispositivo de encaixe, não instale o módulo para viagem ou a bateria do computador Dell Latitude no compartimento de mídia do dispositivo de encaixe.

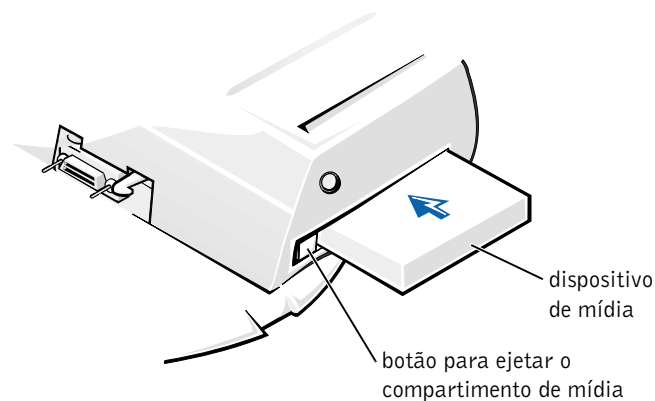
Para instalar o dispositivo de mídia do computador no compartimento de mídia do dispositivo de encaixe, siga estas etapas.

- ✍ **NOTA:** Verifique se a alavanca para ejetar/travar está na posição destravada antes de instalar o dispositivo do compartimento de mídia.

- 1 Salve todos os arquivos, feche e saia de todos os programas aplicativos e saia do sistema operacional.
- 2 Desligue o computador.
- 3 Remova qualquer dispositivo de mídia existente no compartimento de mídia do dispositivo de encaixe.

Pressione o botão para ejetar o compartimento de mídia (consulte “Instalando um Dispositivo de Mídia no Compartimento de Mídia”). Depois que o dispositivo tiver deslizado parcialmente para fora do compartimento de mídia, remova-o totalmente com muito cuidado.

Instalando um Dispositivo de Mídia no Compartimento de Mídia



- 4 Insira o dispositivo de mídia desejado no compartimento de mídia do dispositivo de encaixe (consulte a figura “Instalando um Dispositivo de Mídia no Compartimento de Mídia”).

- 5 Pressione o dispositivo firmemente.

Se o dispositivo tiver sido encaixado corretamente, você deverá ouvir um clique.

Se o dispositivo não tiver sido encaixado corretamente, ele ficará solto dentro do compartimento de mídia. Recoloque o dispositivo.

- 6 Ligue o computador.

Instalando um Dispositivo de Mídia para Windows NT 4.0 com o Softex Docking Services

O Windows NT com o Softex Docking Services permite troca a quente de dispositivos do compartimento de mídia. Para obter mais informações, consulte “Encaixe com o Windows NT e os Serviços de Encaixe Softex” e o *Guia do Usuário de Serviços de Encaixe Softex* em <http://support.dell.com> (em Inglês).

Fixando a Estação de Expansão C/Dock

Recursos de Segurança

O dispositivo de encaixe tem os recursos de segurança a seguir:

- Uma alavanca para ejetar/travar que permite fixar e ejetar o computador. A posição para trás fixa o computador na Estação de Expansão C/Dock II. A posição central permite usar o dispositivo de encaixe sem fixá-lo. A posição para frente ejeta o computador do dispositivo de encaixe. Empurre a alavanca ejetar/travar deixando-a na posição para trás para usar a trava de segurança do cadeado e o encaixe da trava de segurança.
- Uma trava acionada por mola na parte frontal da base que se prende em um encaixe de segurança na parte inferior do computador fixa o computador na base de controle de encaixe. Nem todos os computadores portáteis da Dell têm o encaixe de segurança.
- Uma tampa superior fixa que bloqueia acesso à remoção da Placa de Interconexão de Placas Periféricas (PCI, Peripheral Card Interconnect).

- Um botão para ejetar o compartimento de mídia fixo que bloqueia a remoção de dispositivos do compartimento de mídia.
- Uma trava de imobilização para impedir remoção não autorizada do computador.

Fixando a Estação de Expansão C/Dock II

Use um dos métodos a seguir para fixar o dispositivo de encaixe:

- Use um cadeado ou um cadeado e um cabo de segurança em loop com o encaixe do cadeado (consulte a figura “Indicadores e Controles da Base de Controle de Encaixe”) do dispositivo de encaixe.

Um cadeado bloqueia a alavanca para ejetar e dificulta o desencaixe do computador do dispositivo de encaixe.

Um cabo de segurança em loop ao redor de um objeto fixo usado com o cadeado pode ajudar a impedir a movimentação não autorizada do computador e da Estação de Expansão C/Dock II.

- Anexe um dispositivo antifurto disponível comercialmente ao encaixe da trava de segurança (consulte a figura “Indicadores e Controles da Base de Controle de Encaixe”) do dispositivo de encaixe.

Dispositivos antifurto geralmente incluem um segmento de cabo de metal torcido com um dispositivo de bloqueio e uma chave associada. A Dell recomenda o uso de uma trava Kensington. Para obter instruções sobre como instalar esse tipo de dispositivo antifurto, consulte a documentação fornecida com o dispositivo.

Programa de Diagnóstico da Dell

O Diagnóstico da Dell que acompanha o computador Dell Latitude inclui testes que ajudam a solucionar problemas com os controladores do dispositivo de encaixe.

Os subtestes do grupo de testes **Interface de Rede** do Diagnóstico da Dell verifica a operação básica do controlador de rede no dispositivo de encaixe. Eles testam as funções internas do controlador, inclusive a capacidade de acesso de leitura e gravação aos registros e de transmissão e recepção (loopback) internas.

Os subtestes do grupo de testes **Portas Serial/de Infravermelho** verificam a interface do dispositivo de encaixe com os dispositivos externos (como um mouse serial ou uma impressora). Os subtestes desse grupo de testes não têm a finalidade de um teste diagnóstico do dispositivo externo em si.

Os subtestes do grupo de testes **USB** verificam a interface do dispositivo de encaixe com os dispositivos externos (como um mouse). Os subtestes desse grupo de testes não têm a finalidade de um teste diagnóstico do dispositivo externo em si.

Para obter instruções completas sobre como usar o Diagnóstico da Dell, consulte o *Guia do Usuário* do computador.

Especificações Técnicas

Especificações Técnicas

Físicas	
Altura:	
Com suporte para monitor	10,9 cm (4,3 polegadas)
Autônomo	10,9 cm (4,3 polegadas)
Profundidade:	
Com suporte para monitor	50 cm (19,7 polegadas)
Autônomo	47 cm (18,5 polegadas)
Largura:	
Com suporte para monitor	43,5 cm (17,1 polegadas)
Autônomo	42 cm (16,5 polegadas)
Peso:	
Com suporte para monitor	5,5 kg (12 libras)
Autônomo	4,1 kg (9 libras)
Força	
Entrada do Adaptador CA:	
Voltagem	100–240 VAC, 50–60 Hz
Amperagem	1,5 A

Especificações Técnicas

Entrada da Estação de Expansão
C/Dock II:

Voltagem	requer 20 VDC do Adaptador CA
Amperagem	3,5 A

E/S

Serial (DTE)	conector de buffer de 16 bytes e compatível com 16550
Paralelo	conector unidirecional, bidirecional ou ECP
PS/2	dois miniconectores DIN
USB	dois conectores compatíveis com o USB
Infravermelho	porta de infravermelho compatível com os Padrões IrDA 1.1 (Fast IR) e 1.0
Saída de áudio	tomada de entrada de microfone; tomada de entrada de linha/áudio (para dispositivos de gravação/reprodução); tomada de saída de áudio (para fone de ouvido)
SCSI	conector Ultra SCSI subminiatura tipo D de 50 pinos
Vídeo	um conector
Rede	um conector RJ45
Encaixe (para conectar ao computador)	um conector

Controlador de Rede Ethernet

Chipset	3Com® 3C920; 10/100 BASE-TX (compatível com PC99)
Largura do barramento de dados	Interface do barramento host PCI de 32 bits
IRQ	IRQ10

Especificações Técnicas

Conector SCSI

Chipset	Adaptec AIDC 7880C
Largura do barramento de dados	Interface do barramento host PCI de 32 bits; barramento SCSI de 8 bits
Taxa de transferência de dados	20 MB/seg
IRQ	IRQ10

Instruções de Segurança e EMC: Computadores Portáteis

As informações a seguir definem o significado dos símbolos *adicionais* usados *somente* nas Instruções de Segurança e Compatibilidade Eletromagnética (EMC, Electromagnetic Compatibility).



Risco de explosão



Aviões



Risco de incêndio



Talvez o uso deste recurso seja proibido em aviões



Risco de choque elétrico



Instruções de Segurança

Geral

- Ao instalar a estação de encaixe para trabalho, coloque-a sobre uma superfície plana.
- Não tente fazer a manutenção da estação de encaixe sozinho a menos que você seja um técnico autorizado. Sempre siga exatamente as instruções de instalação.
- Se você usar uma extensão de cabo de força com o adaptador CA, certifique-se de que a amperagem total dos produtos conectados à extensão do cabo de força não ultrapasse a do próprio cabo.



- Não bloqueie as passagens ou aberturas de ar do computador com objetos. Esse procedimento pode provocar incêndio ou choque elétrico em consequência de curtos circuitos nos componentes internos.



- Posicione o adaptador CA em uma área ventilada, como uma mesa ou sobre o assoalho, ao usá-lo para ligar o computador ou carregar a bateria. Não cubra o adaptador CA com papéis ou outros objetos que diminuam a ventilação; além disso, não use o adaptador CA dentro de caixas.



- Não utilize o computador em ambientes úmidos, como próximo a banheiras, pias ou piscinas, ou em qualquer local molhado.



- Para evitar o risco potencial de choque elétrico, não conecte ou desconecte cabos, nem faça manutenção ou reconfiguração deste produto durante tempestades com descargas elétricas. Não use o computador durante tempestades com descargas elétricas, a menos que todos os cabos tenham sido desconectados e o computador esteja sendo alimentado por bateria.
- Use somente o adaptador CA e as baterias aprovadas para uso neste dispositivo de encaixe, conforme indicado neste documento. O uso de outro tipo de bateria ou adaptador CA pode provocar incêndio ou explosão.
- Antes de limpar a estação de encaixe, desligue-a e desconecte o adaptador CA da fonte de energia. Limpe a estação de encaixe com um pano macio, umedecido em água. Não use detergentes líquidos ou em aerossol, pois esses produtos podem conter substâncias inflamáveis.



Força (Instruções de Segurança)



- Use somente o adaptador CA fornecido pela Dell e aprovado para uso com a estação de encaixe. O uso de outro adaptador CA pode causar incêndio ou explosão.
- Antes de conectar a estação de encaixe a uma tomada elétrica, verifique a voltagem do adaptador CA para garantir que a frequência e a voltagem solicitadas correspondam à fonte de energia disponível.
- Para remover a força do computador, desligue-o e desconecte o adaptador CA da tomada elétrica.



- Para evitar choque elétrico, conecte o adaptador CA e os cabos de força dos periféricos às fontes de energia aterradas corretamente. Esses cabos de força podem estar equipados com plugues de três pinos a fim de fornecer uma conexão de aterramento. Não use plugues adaptadores nem remova o pino de aterramento do plugue do cabo de força. Se usar uma extensão de cabo de força, use o tipo correto (dois pinos ou três pinos), isto é, uma extensão que seja compatível com o cabo de força do adaptador CA.
- Certifique-se de que nada esteja sobre o cabo de força do adaptador CA e de que esse cabo não fique exposto em locais onde se possa esbarrar ou pisar nele.



- Se você estiver usando um filtro de linha com várias tomadas, tenha cuidado ao conectar o cabo de força do adaptador CA ao filtro de linha. É possível que em alguns filtros de linha o plugue seja inserido incorretamente. Se o plugue de força for inserido incorretamente, o computador poderá sofrer danos permanentes e haverá o risco de choque elétrico e/ou incêndio. Certifique-se de que o pino terra do plugue de força esteja inserido no contato terra do filtro de linha.

Avisos de Regulamentação

Interferência Eletromagnética (EMI, Electromagnetic Interference) é qualquer sinal ou emissão, irradiada em espaço livre ou transmitida através de condutores de força ou de sinais, que coloque em risco o funcionamento de um serviço de navegação de rádio ou outro serviço de segurança, ou que prejudique seriamente, obstrua ou interrompa várias vezes um serviço licenciado de comunicação de rádio. Os serviços de comunicação de rádio incluem, mas não se limitam a, transmissão comercial AM/FM, televisão, serviços de celular, radar, controle de tráfego aéreo, pager e Serviços de Comunicação Pessoal (PCS, Personal Communication Services). Esses serviços licenciados, juntamente com irradiadores involuntários como dispositivos digitais, incluindo computadores, contribuem para o ambiente eletromagnético.

Compatibilidade Eletromagnética (EMC, Electromagnetic Compatibility) é a capacidade que os itens de um equipamento eletrônico possuem de funcionar corretamente em conjunto no ambiente eletrônico. Embora este computador tenha sido projetado e esteja em conformidade com os limites estabelecidos pelos órgãos de regulamentação para EMI, não há garantias de que não ocorrerá interferência em uma instalação específica. Se o equipamento causar interferência nos serviços de comunicação de rádio, o que pode ser determinado quando o equipamento for ligado e desligado, experimente corrigir a interferência através de uma ou mais das seguintes medidas:

- Reorientar a antena receptora.
- Mudar o computador de lugar em relação ao receptor.
- Afastar o computador do receptor.
- Ligar o computador em outra tomada de modo que o computador e o receptor fiquem em circuitos derivados diferentes.

Se necessário, consulte um representante do Suporte Técnico da Dell ou um profissional técnico experiente de rádio/televisão para obter outras sugestões.

Os computadores da Dell são projetados, testados e classificados para um ambiente eletromagnético específico. Essas classificações de ambiente eletromagnético geralmente se referem às seguintes definições:

- Classe A para ambientes comerciais ou industriais.
- Classe B para ambientes residenciais.

Os equipamentos de tecnologia de informação (ITE, Information Technology Equipment), incluindo dispositivos, placas de expansão, impressoras, dispositivos de entrada e saída (E/S), monitores, entre outros, que estão integrados ou conectados ao computador, devem estar de acordo com a classificação de ambiente eletromagnético do computador.

Aviso Sobre Cabos Blindados de Sinal: use somente cabos blindados para conectar periféricos a qualquer dispositivo da Dell, a fim de reduzir a possibilidade de interferência em serviços de comunicação de rádio. O uso de cabos blindados garante que a classificação apropriada de EMC seja mantida para o ambiente específico. Para impressoras paralelas, há um cabo da Dell disponível. Se preferir, solicite um cabo da Dell na World Wide Web em <http://accessories.us.dell.com/> (em Inglês).

A maioria dos computadores da Dell é classificada para ambientes Classe B. Entretanto, a inclusão de determinadas opções pode alterar a classificação de algumas configurações para Classe A. Para determinar a classificação eletromagnética para seu computador ou dispositivo, consulte as seguintes seções específicas para cada órgão de regulamentação. Cada seção possui informações sobre a segurança de produtos ou sobre EMC/EMI específicas de cada país.

Avisos da FCC (Somente Estados Unidos)

A maioria dos computadores da Dell é classificada pela Comissão Federal de Comunicações (FCC, Federal Communications Commission) como dispositivos digitais Classe B. Para determinar a classificação que se aplica ao computador, examine todos os rótulos de registro da FCC localizados na parte inferior ou no painel traseiro do computador, em suportes de montagem de placa e nas próprias placas. Se alguma das etiquetas tiver a classificação Classe A, todo o computador será considerado um dispositivo digital da Classe A. Se *todas* as etiquetas tiverem a classificação Classe B diferenciada por um número de identificação ou pelo logotipo da FCC, (**FC**), o computador será considerado um dispositivo digital da Classe B.

Após determinar a classificação da FCC do computador, leia o aviso adequado da FCC. Observe que os regulamentos da FCC especificam que alterações ou modificações não aprovadas explicitamente pela Dell podem cancelar sua permissão para operar o equipamento.

Este dispositivo está em conformidade com a Parte 15 das Normas da FCC. A operação está sujeita a estas duas condições:

- Este dispositivo não poderá ocasionar interferência prejudicial.
- Este dispositivo deve aceitar qualquer interferência recebida, inclusive interferências que possam causar uma operação indesejada.

Classe A

Este equipamento foi testado e está em conformidade com os limites de um dispositivo digital da Classe A, como estabelecido na Parte 15 das Normas da FCC. Esses limites foram criados para assegurar uma proteção razoável contra interferências prejudiciais quando o equipamento for operado em ambiente comercial. Esse equipamento gera, utiliza e pode emitir energia de frequência de rádio e, caso não seja instalado e utilizado de acordo com o manual de instruções do fabricante, poderá causar interferência nociva às comunicações de rádio. A operação deste equipamento em uma área residencial provavelmente causará interferência prejudicial. Nesse caso, você arcará com as despesas incorridas pela correção da interferência.

Classe B

Este equipamento foi testado e está em conformidade com os limites de um dispositivo digital de Classe B, conforme estabelecido na Parte 15 das Normas da FCC. Esses limites foram criados para assegurar uma proteção razoável contra interferências prejudiciais em uma instalação residencial. Este equipamento gera, usa e pode emitir energia de frequência de rádio e, caso não seja instalado e utilizado de acordo com o manual de instruções do fabricante, poderá causar interferência prejudicial às comunicações de rádio. No entanto, não há garantias de que a interferência não ocorrerá em uma instalação específica. Se o equipamento causar interferência prejudicial à recepção de rádio ou televisão, o que poderá ser determinado quando o equipamento for ligado ou desligado, você deverá tomar uma ou mais das seguintes medidas para tentar corrigir a interferência:

- Reorientar a antena receptora ou mudá-la de local.
- Aumentar a distância entre o equipamento e o receptor.
- Conectar o equipamento a uma tomada em um circuito diferente daquele ao qual o receptor está conectado.
- Consultar o revendedor ou um profissional técnico de rádio/televisão.

As seguintes informações são fornecidas no(s) dispositivo(s) abordado(s) neste documento, em conformidade com os regulamentos da FCC:

- Número do modelo: PDX
- Nome da empresa:

Dell Computer Corporation
One Dell Way
Round Rock, Texas 78682 USA

Aviso da IC (Somente Canadá)

A maioria dos computadores da Dell (e outros dispositivos digitais da Dell) é classificada com base no Padrão de Equipamento Causador de Interferências da IC (Industry Canada) No. 3 (ICES-003), como dispositivos digitais da Classe B. Para determinar qual classificação (Classe A ou B) deve ser aplicada ao seu computador (ou outro dispositivo digital da Dell), examine todas as etiquetas de registro localizadas na parte inferior ou no painel traseiro do computador (ou de outro dispositivo digital). Uma declaração na forma “IC Classe A ICES-003” ou “IC Classe B ICES-3” estará localizada em uma dessas etiquetas. Observe que os regulamentos da IC especificam que alterações ou modificações não aprovadas explicitamente pela Dell podem cancelar sua permissão para operar o equipamento.

Este dispositivo digital da Classe B (ou Classe A, se indicado dessa forma na etiqueta de registro) atende aos requisitos das Normas Canadenses de Equipamento Causador de Interferências.

Cet appareil numérique de la Classe B (ou Classe A, si ainsi indiqué sur l'étiquette d'enregistrement) respecte toutes les exigences du Règlement sur le Matériel Brouilleur du Canada.

Aviso da CE (União Européia)

Os computadores da Dell marcados com o símbolo **CE** estão em conformidade com a Diretiva de EMC e a Diretiva de Baixa Voltagem da União Européia. Essa marcação indica que esse sistema da Dell atende aos seguintes padrões técnicos:

- EN 55022 — “Limites e Métodos de Medida das Características de Interferência de Rádio de Equipamento de Tecnologia da Informação”.
- EN 55024 — “Equipamento de tecnologia da informação - Características de imunidade - Limites e métodos de medida”.
- EN 61000-3-2 — “Compatibilidade eletromagnética (EMC) - Parte 3: Limites – Seção 2: Limites para emissões de correntes harmônicas (Corrente de entrada do equipamento de até 16 A, inclusive, por fase)”.
- EN 61000-3-3 — “Compatibilidade eletromagnética (EMC) - Parte 3: Limites – Seção 3: Limitação de flutuações de voltagem e tremulações da imagem em sistemas com fornecimento de baixa voltagem para equipamentos com corrente qualificada de até 16 A (inclusive)”.
- EN 60950 — “Segurança de Equipamento de Tecnologia da Informação”.



NOTA: Os requisitos de emissão da EN 55022 estabelecem duas classificações:

- Classe A para áreas comerciais comuns.
- Classe B para áreas residenciais comuns.

Este dispositivo da Dell é classificado para uso em um ambiente residencial comum da Classe B.

Uma “Declaração de Conformidade” de acordo com as diretrizes e os padrões anteriores foi elaborada e está arquivada na Dell Computer Corporation Products Europe BV, Limerick, Irlanda.

Eliminação da Bateria

Seu dispositivo de encaixe usa uma bateria de íons de lítio. A bateria de íons de lítio é uma bateria de longa duração, que talvez nunca precise ser substituída. No entanto, se você precisar substituí-la, consulte a seção “Substituindo a Bateria”, anteriormente neste documento.



Não descarte a bateria junto com o lixo doméstico. Entre em contato com a empresa de coleta de lixo de sua região para obter o endereço do local mais próximo para depósito da bateria.

Conformidade com a EN 55022 (Somente República Tcheca)

Este dispositivo pertence aos dispositivos da Classe B, conforme descrito na EN 55022, a menos que especificado como um dispositivo da Classe A. Os regulamentos a seguir aplicam-se aos dispositivos da Classe A da EN 55022 (raio de proteção de até 30 metros). O usuário do dispositivo é obrigado a tomar as medidas necessárias para eliminar as fontes de interferência em dispositivos de telecomunicação ou outros dispositivos.

Pokud není na typovém štítku počítače uvedeno, že spadá do třídy A podle EN 55022, spadá automaticky do třídy B podle EN 55022. Pro zařízení zařazená do třídy A (ochranné pásmo 30m) podle EN 55022 platí následující. Dojde-li k rušení telekomunikačních nebo jiných zařízení, je uživatel povinen provést taková opatření, aby rušení odstranil.

Aviso do VCCI (Somente Japão)

A maioria dos computadores da Dell é classificada pelo Conselho de Controle Voluntário de Interferência (VCCI, Voluntary Control Council of Interference) como equipamentos de tecnologia de informação (ITE, information technology equipment) da Classe B. No entanto, a inclusão de certas opções pode alterar a classificação de algumas configurações para a Classe A. Os ITEs, incluindo, entre outros, dispositivos, placas de expansão, impressoras, dispositivos de entrada e saída (E/S) e monitores, que estão integrados ou conectados ao sistema, devem estar de acordo com a classificação de ambiente eletromagnético (Classe A ou B) do computador.

Para determinar que classificação deve ser aplicada a um computador, examine as etiquetas/marcas de regulamentação (consulte “Marca de Regulamentação de ITE da Classe A do VCCI” e “Marca de Regulamentação de ITE da Classe B do VCCI”) localizadas na parte inferior ou no painel traseiro do computador. Após determinar a classificação do VCCI do computador, leia o aviso do VCCI apropriado.

ITE de Classe A

この装置は、情報処理装置等電波障害自主規制協議会（VCCI）の基準に基づくクラス A 情報技術装置です。この装置を家庭環境で使用すると電波妨害を引き起こすことがあります。この場合には使用者が適切な対策を講ずるよう要求されることがあります。

Este é um produto da Classe A baseado no padrão do VCCI para equipamento de tecnologia da informação. O uso desse equipamento em um ambiente residencial poderá causar interferência nas comunicações de rádio. Quando isso ocorrer, o usuário precisará tomar medidas corretivas.

Marca de Regulamentação de ITE da Classe A do VCCI

VCCI-A

ITE da Classe B

この装置は、情報処理装置等電波障害自主規制協議会（VCCI）の基準に基づくクラス B 情報技術装置です。この装置は家庭環境で使用することを目的としていますが、ラジオやテレビジョン受信機に近接して使用されると、受信障害を引き起こすことがあります。
取扱説明書に従って正しい取り扱いをしてください。


Este é um produto da Classe B baseado no padrão do VCCI para equipamento de tecnologia da informação. O uso desse equipamento próximo a um receptor de rádio ou televisão em um ambiente residencial poderá ocasionar interferência nas comunicações de rádio. Instale e use o equipamento de acordo com o manual de instruções.

Marca de Regulamentação de ITE da Classe B do VCCI



Aviso de MIC (Somente República da Coreia)

Para determinar qual classificação (Classe A ou B) deve ser aplicada ao seu computador (ou outro dispositivo digital da Dell), examine todas as etiquetas de registro do MIC (Ministry of Information and Communications) da República da Coreia, localizadas no computador (ou em outro dispositivo digital da Dell). A etiqueta do MIC deve estar localizada separadamente de outras marcas de regulamentação aplicadas ao produto. A linha três da etiqueta identifica a classe de emissões do produto — “(A)” para produtos de Classe A ou “(B)” para produtos de Classe B.

 **NOTA:** Os requisitos de emissão do MIC estabelecem duas classificações:

- Os dispositivos de Classe A são usados com objetivos comerciais.
- Os dispositivos da Classe B são usados para fins que não sejam comerciais.

Dispositivo de Classe A

기종별	사용자안내문
A급 기기 (업무용 정보통신기기)	이 기기는 업무용으로 전자파적합등록을 한 기기이오니 판매자 또는 사용자는 이 점을 주의하시기 바라며 만약 잘못 판매 또는 구입하였을 때에는 가정용으로 교환하시기 바랍니다.

Observe que este dispositivo foi aprovado para fins comerciais no que se refere à interferência eletromagnética. Se achar que esse dispositivo não é adequado, troque-o por um dispositivo cujas finalidades não sejam comerciais.

Marca de Regulamentação da Classe A do MIC.



1. 기기의 명칭(모델명):
2. 인증번호:
3. 인증받은 자의 상호: (A)
4. 제조년월일:
5. 제조자/제조국가:

Dispositivo de Classe B

기종별	사용자 안내문
B급 기기 (가정용 정보통신기기)	이 기기는 가정용으로 전자파적합등록을 한 기기로서 주거지역에서는 물론 모든 지역에서 사용할 수 있습니다.

Observe que este dispositivo foi aprovado para fins não comerciais e pode ser usado em qualquer ambiente, inclusive em áreas residenciais.

Marca de Regulamentação da Classe B do MIC.



1. 기기의 명칭(모델명):
2. 인증번호:
3. 인증받은 자의 상호: (B)
4. 제조년월일:
5. 제조자/제조국가:

Centro Polonês de Teste e Aviso de Certificação

O equipamento deve obter energia de um soquete com um circuito de proteção anexado (um soquete de três pinos). Todo equipamento que funciona em conjunto (computador, monitor, impressora, etc.) deve ter a mesma fonte de alimentação de energia.

O condutor de fase da instalação elétrica da sala deve ter um dispositivo de proteção contra curto-circuito de reserva na forma de um fusível com um valor nominal que não exceda 16 ampères (A).

Para desligar completamente o equipamento, o cabo de fonte de alimentação deve ser removido do soquete de fonte de alimentação, que deve estar próximo ao equipamento e facilmente acessível.

Uma marca de proteção "B" confirma que o equipamento é compatível com os requisitos de uso de proteção dos padrões PN-93/T-42107 e PN-EN 55022: 1996.

Wymagania Polskiego Centrum Badan i Certyfikacji

Urządzenie powinno być zasilane z gniazda z przyłączonym obwodem ochronnym (gniazdo z kołkiem). Współpracujące ze sobą urządzenia (komputer, monitor, drukarka) powinny być zasilane z tego samego źródła.

Instalacja elektryczna pomieszczenia powinna zawierać w przewodzie fazowym rezerwową ochronę przed zwarciami, w postaci bezpiecznika o wartości znamionowej nie większej niż 16A (amperów).

W celu całkowitego wyłączenia urządzenia z sieci zasilania, należy wyjąć wtyczkę kabla zasilającego z gniazdka, które powinno znajdować się w pobliżu urządzenia i być łatwo dostępne.

Znak bezpieczeństwa "B" potwierdza zgodność urządzenia z wymaganiami bezpieczeństwa użytkownika zawartymi w PN-93/T-42107 i PN-EN 55022:1996.

Jeżeli na tabliczce znamionowej umieszczono informację, że urządzenie jest klasy A, to oznacza to, że urządzenie w środowisku mieszkalnym może powodować zakłócenia radioelektryczne. W takich przypadkach można żądać od jego użytkownika zastosowania odpowiednich środków zaradczych.

Pozostałe instrukcje bezpieczeństwa

- Nie należy używać wtyczek adapterowych lub usuwać kołka obwodu ochronnego z wtyczki. Jeżeli konieczne jest użycie przedłużacza to należy użyć przedłużacza 3-żyłowego z prawidłowo połączonym przewodem ochronnym.
- System komputerowy należy zabezpieczyć przed nagłymi, chwilowymi wzrostami lub spadkami napięcia, używając eliminatora przepięć, urządzenia dopasowującego lub bezzakłócenowego źródła zasilania.
- Należy upewnić się, aby nic nie leżało na kablach systemu komputerowego, oraz aby kable nie były umieszczone w miejscu, gdzie można byłoby na nie nadeptywać lub potykać się o nie.
- Nie należy rozlewać napojów ani innych płynów na system komputerowy.
- Nie należy wpychać żadnych przedmiotów do otworów systemu komputerowego, gdyż może to spowodować pożar lub porażenie prądem, poprzez zwarcie elementów wewnętrznych.
- System komputerowy powinien znajdować się z dala od grzejników i źródeł ciepła. Ponadto, nie należy blokować otworów wentylacyjnych. Należy unikać kładzenia luźnych papierów pod komputer oraz umieszczania komputera w ciasnym miejscu bez możliwości cyrkulacji powietrza wokół niego.

Informações da Norma Oficial Mexicana (NOM) (Somente México)

As informações a seguir são fornecidas no(s) dispositivo(s) descrito(s) neste documento, em conformidade com as exigências dos padrões oficiais mexicanos (NOM, Norma Oficial Mexicana).

Exportador:	Dell Computer Corporation One Dell Way Round Rock, TX 78682
Importador:	Dell Computer de México, S.A. de C.V. Paseo de la Reforma 2620 - 11° Piso Col. Lomas Altas 11950 México, D.F.
Enviar para:	Dell Computer de México, S.A. de C.V. al Cuidado de Kuehne & Nagel de México S. de R.l. Avenida Soles No. 55 Col. Peñon de los Baños 15520 México, D.F.
Voltagem da fonte:	100-240 VCA
Frequência:	50-60 Hz
Consumo Atual:	1,5 A
Voltagem de saída:	20 VCC
Corrente de saída:	3,5 A

Información para NOM (únicamente para México)

La información siguiente se proporciona en el dispositivo o en los dispositivos descritos en este documento, en cumplimiento con los requisitos de la Norma Oficial Mexicana (NOM):

Exportador:	Dell Computer Corporation One Dell Way Round Rock, TX 78682
Importador:	Dell Computer de México, S.A. de C.V. Paseo de la Reforma 2620 - 11° Piso Col. Lomas Altas 11950 México, D.F.
Embarcar a:	Dell Computer de México, S.A. de C.V. al Cuidado de Kuehne & Nagel de México S. de R.l. Avenida Soles No. 55 Col. Peñon de los Baños 15520 México, D.F.
Voltaje de entrada de alimentación:	100-240 VCA
Frecuencia:	50-60 Hz
Consumo eléctrico:	1,5 A
Voltaje de salida:	20 VCC
Voltaje de salida:	3,5 A

Aviso do BSMI (Somente em Taiwan)

BSMI 通告 (僅限於台灣)

大多數的 Dell 電腦系統被 BSMI (經濟部標準檢驗局) 劃分為乙類數位裝置。但是，使用某些選件會使有些組態的等級變成甲類。若要確定您的電腦系統適用等級，請檢查所有位於電腦底部或背面板、擴充卡安裝托架，以及擴充卡上的 BSMI 註冊標籤。如果其中有一甲類標籤，即表示您的系統為甲類數位裝置。如果只有 BSMI 的檢磁號碼標籤，則表示您的系統為乙類數位裝置。

一旦確定了系統的 BSMI 等級，請閱讀相關的 BSMI 通告。請注意，BSMI 通告規定凡是未經 Dell Computer Corporation 明確批准的擅自變更或修改，將導致您失去此設備的使用權。

此裝置符合 BSMI (經濟部標準檢驗局) 的規定，使用時須符合以下兩項條件：

- 此裝置不會產生有害干擾。
- 此裝置必須能接受所接收到的干擾，包括可能導致無法正常作業的干擾。

甲類

此設備經測試證明符合 BSMI (經濟部標準檢驗局) 之甲類數位裝置的限制規定。這些限制的目的是為了在商業環境中使用此設備時，能提供合理的保護以防止有害的干擾。此設備會產生、使用並散發射頻能量；如果未遵照製造廠商的指導手冊來安裝和使用，可能會干擾無線電通訊。請勿在住宅區使用此設備。

警告使用者：

這是甲類的資訊產品，在居住的環境中使用時，可能會造成射類干擾，在這種情況下，使用者會被要求採取某些適當的對策。

乙類

此設備經測試證明符合 BSMI (經濟部標準檢驗局) 之乙類數位裝置的限制規定。這些限制的目的是爲了在住宅區安裝時，能防止有害的干擾，提供合理的保護。此設備會產生、使用並散發射頻能量；如果未遵照製造廠商的指導手冊來安裝和使用，可能會干擾無線電通訊。但是，這並不保證在個別的安裝中不會產生干擾。您可以透過關閉和開啓此設備來判斷它是否會對廣播和電視收訊造成干擾；如果確實如此，我們建議您嘗試以下列一種或多種方法來排除干擾：

- 重新調整天線的接收方向或重新放置接收天線。
- 增加設備與接收器的距離。
- 將設備連接至不同的插座，使設備與接收器連接在不同的電路上。
- 請向經銷商或有經驗的無線電/電視技術人員查詢，以獲得幫助。

Aviso de Marca da CE

Este dispositivo está de acordo com os requisitos da Diretiva Europeia 1999/5/EC.

Termo de Garantia Contratual - Brasil

Garantia oferecida pela Dell ao Usuário Final - 1º ano

Garantia

A DELL garante ao usuário final, em conformidade com as disposições abaixo, que os produtos de hardware com a sua marca, adquiridos pelo usuário final de uma empresa do grupo DELL ou de um distribuidor autorizado DELL situado na América Latina e Caribe, estão livres de defeitos em seus componentes eletrônicos, mecânicos e de montagem, pelo prazo de 1 (um) ano contado da data de aquisição do Produto indicada na Nota Fiscal de Compra, uma vez respeitadas as condições normais de instalação e uso, exceto no que tange aos itens relacionados dentre as exceções adiante indicadas. Já se encontra incluso nesse prazo o período de garantia legal.

Produtos contra os quais sejam apresentadas reclamações justas serão, a critério da DELL, consertados ou substituídos às expensas da DELL. Todas as peças removidas dos produtos consertados serão de propriedade da DELL. A DELL utiliza peças novas e recondiçionadas de vários fabricantes na execução dos serviços de reparo e na fabricação de produtos de reposição, de qualidade e tecnologia equivalente ou superior, respeitadas as especificações originais dos produtos.

Responsabilidades do Cliente

Notificar de imediato a Dell sobre o mau funcionamento de seus equipamentos (0800-903355). Fornecer ao pessoal técnico da Dell acesso total e incondicional à totalidade dos equipamentos e softwares. Caso existam restrições de segurança que se apliquem a alguns ou a todos os sistemas do Cliente que necessitem receber assistência técnica em virtude desta Garantia Contratual, é possível que seja solicitado ao Cliente que este assuma responsabilidades adicionais para a manutenção do equipamento e/ou software. Notificar a Dell sobre qualquer perigo potencial quanto à segurança ou à saúde que possa existir nas instalações do Cliente, assim como proporcionar e/ou recomendar os procedimentos de segurança que devem ser seguidos, caso sejam aplicáveis.

Proporcionar, caso seja necessário e sem nenhum encargo para a Dell, um espaço de trabalho adequado e acesso a meios de comunicação que se sejam requeridos à execução dos serviços.

Manter atualizada uma cópia de segurança do sistema operacional e de outros programas de software pertinentes, assim como seus dados.

Garantir a presença de uma pessoa responsável ou de um funcionário durante a execução do serviço.

Fornecer, sem ônus para a Dell, meios de gravação e armazenamento, incluindo fitas e discos magnéticos necessários à execução dos serviços, bem como aparelhos de comunicação de dados (modems) e linhas telefônicas e/ou conexões de rede quando requeridos para execução de serviços à distância por via eletrônica (acessos eletrônicos remotos).

Exclusões

Os seguintes itens, entre outros compatíveis com o ora exposto, não estão cobertos pela garantia:

- Partes consumíveis, tais como baterias não-recarregáveis, bolsas, maletas, etc;
- Programas de computador, exceto no tocante a termos e prazos especificados na legislação brasileira aplicável;
- Limpeza, reparos cosméticos ou desgaste resultante do uso normal dos produtos;
- Danos causados por mau uso, abuso, queda, negligência, imprudência ou imperícia;
- Danos causados por armazenamento ou uso em condições fora das especificações;
- Danos causados por equipamentos que produzam ou induzam interferências eletromagnéticas ou ainda por problemas de instalação elétrica em desacordo com as normas ABNT;
- Danos causados por programas de computador, acessórios ou produtos de terceiros adicionados a um produto comercializado pela Dell após este ter sido enviado ao usuário final pela própria Dell;

- Danos causados por violação do produto, tentativa de reparo ou ajuste por terceiros não autorizados pela Dell;
- Danos causados por agentes da natureza como descargas elétricas (raios), inundações, incêndios, desabamentos, terremotos, etc;
- Perdas e danos causados pelo produto ou por desempenho do produto, inclusive, mas não limitado a, lucros cessantes, perdas financeiras e limitações de produtividade, resultantes dos atos relacionados a hipóteses de não cobertura desta garantia; e,
- Perda total ou parcial de quaisquer programas de computador, dados ou meios magnéticos removíveis.

A garantia também não será válida caso a Nota Fiscal de Compra apresente rasuras e/ ou alterações ou, ainda, campos incompletos nos itens Data de Aquisição e Número de Série do produto, e/ou que não esteja em conformidade com a legislação fiscal vigente no Brasil.

Atendimento ao Consumidor

Caso você tenha algum comentário ou sugestões, estas devem ser apresentadas na América Latina e Caribe por meio do ponto de venda da DELL ou através de mensagem eletrônica via Internet [www.dell.com (em Inglês)]. No caso de reclamação, esta poderá ser encaminhada durante o prazo de validade da garantia e o usuário final deverá fornecer sempre o comprovante de compra, representado pela Nota Fiscal original, indicando o nome e endereço do vendedor, a data da compra, o modelo e o número de série, o nome e o endereço do cliente e informações sobre os sintomas e configuração no momento do defeito, incluindo periféricos e software utilizados. Na falta dessas informações a Dell poderá negar-se a atender a solicitação. Uma vez diagnosticado o problema, a DELL tomará as devidas providências e pagará o frete e o seguro de transporte para a central de conserto/reposição DELL, caso o defeito apresentado qualifique-se para atendimento dentro da garantia. O usuário final deve garantir que o produto defeituoso estará disponível para ser apanhado, devidamente embalado na embalagem original ou em embalagem que ofereça grau equivalente de proteção, incluindo os dados acima e o número de devolução fornecido pela DELL ao usuário final.

Limitações e Direitos

A DELL não oferece nenhuma outra garantia, aval ou declaração similar, exceto conforme expressamente declarado acima, e esta Garantia substitui quaisquer outras garantias, na extensão máxima permitida por lei. Esta Garantia será o único e exclusivo recurso contra a DELL ou qualquer outra empresa do mesmo grupo econômico, não podendo estas serem responsabilizadas por lucros cessantes ou perdas derivadas de contratos, ou qualquer outra perda indireta ou imprevista decorrente de negligência, violação contratual ou outras ações semelhantes.

Esta Garantia não exclui ou afeta os direitos garantidos por lei ao usuário final contra a DELL e/ou quaisquer direitos resultantes de outros contratos celebrados pelo usuário final com a DELL e/ou qualquer outro vendedor autorizado pela Dell.

Dell World Trade LP

One Dell Way, Round Rock, TX 78682, USA

Dell Computadores do Brasil Ltda. (CNPJ No. 72.381.189/0001-10)

Dell Commercial do Brasil Ltda. (CNPJ No. 03 405 822/0001-40)

Avenida Industrial Belgraf, 400
92990-000 - Eldorado do Sul - RS - Brasil

Dell Computer de Chile Ltda.

Coyancura 2283, Piso 3 - Of. 302,
Providencia, Santiago - Chile

Dell Computer de Colombia Corporation

Carrera 7 #115-33 Oficina 603
Bogota, Colombia

Dell Computer de Mexico SA de CV

Rio Lerma #302 - 4 Piso
Col. Cuauhtemoc, Mexico, D.F. 06500 06500

Estación de expansión C/Dock II de Dell™ Latitude™

Guía de información del sistema

Notas, avisos y precauciones



NOTA: Una NOTA proporciona información importante que le ayuda a utilizar su ordenador de la mejor manera posible.



AVISO: Un AVISO indica un posible daño en el hardware o la pérdida de datos y le explica cómo evitar el problema.



PRECAUCIÓN: Una PRECAUCIÓN indica un posible daño material, lesión corporal o muerte.

La información contenida en este documento puede modificarse sin aviso previo.

© 2001 Dell Computer Corporation. Reservados todos los derechos.

Queda estrictamente prohibida la reproducción de este documento de cualquier manera sin la autorización por escrito de Dell Computer Corporation.

Marcas comerciales utilizadas en este texto: *Dell*, el logotipo de *DELL*, *Latitude* y *DellWare* son marcas comerciales de Dell Computer Corporation; *Microsoft*, *Windows* y *Windows NT* son marcas registradas de Microsoft Corporation.

Este documento puede incluir otras marcas y nombres comerciales para referirse a las entidades que son propietarias de los mismos o a sus productos. Dell Computer Corporation renuncia a cualquier interés sobre la propiedad de marcas y nombres comerciales que no sean los suyos.

Este producto incorpora tecnología de protección de copyright amparada por reclamaciones de método de ciertas patentes de EE.UU. y otros derechos de propiedad intelectual de Macrovision Corporation y otros propietarios. La utilización de la tecnología de protección de copyright debe estar autorizada por Macrovision Corporation y su finalidad es el uso doméstico y otros tipos de visualización con carácter limitado, a menos que Macrovision Corporation lo autorice expresamente. Se prohíbe la ingeniería inversa y el desensamblaje.

Estación de expansión C/Dock II de Dell™ Latitude™

Guía de información del sistema

Este documento contiene información introductoria y sobre seguridad, regulaciones e información sobre la garantía de la estación de expansión Dell Latitude C/Dock II, así como información acerca de otros documentos de Dell disponibles y cómo obtenerlos.

Otros documentos disponibles

- Actualizaciones de la documentación, que algunas veces se incluyen con el dispositivo de acoplamiento para describir cambios en el dispositivo de acoplamiento o en el software. Lea siempre estas actualizaciones *antes* de consultar cualquier otra documentación, ya que las actualizaciones suelen contener la información más reciente.
- Se incluye la documentación de cualquier opción que haya adquirido independientemente de su dispositivo de acoplamiento. Esta documentación incluye información necesaria para configurar e instalar estas opciones en el dispositivo de acoplamiento.

Obtención de ayuda

Dell proporciona una serie de herramientas para ayudarle en el caso de que el dispositivo de acoplamiento no funcione como es de esperar. Si desea obtener información sobre estas herramientas de ayuda, consulte la sección “Obtención de ayuda” en la *Guía del usuario* del ordenador.

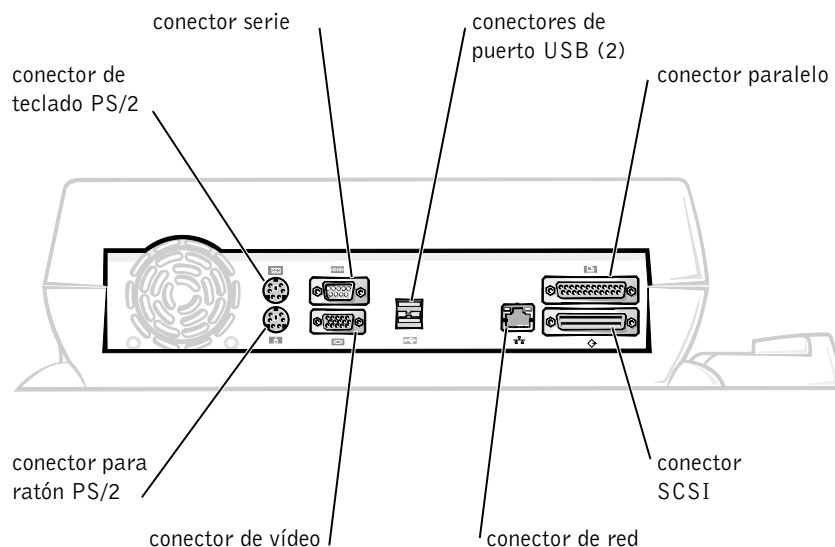
Descripción del dispositivo de acoplamiento

NOTA: Informe al administrador de la red antes de conectar el dispositivo de acoplamiento a una red.

Debe conectar un adaptador de CA al dispositivo de acoplamiento antes de acoplar el ordenador al dispositivo de acoplamiento y encender el ordenador. El adaptador de CA alimenta al dispositivo de acoplamiento y al ordenador a la vez. La batería instalada en el ordenador se carga mientras se utiliza el dispositivo de acoplamiento.









AVISO: Siempre utilice el adaptador de CA Dell incluido con el dispositivo de acoplamiento. Si utiliza cualquier otro adaptador de CA disponible en el mercado (o un adaptador de CA de modelos anteriores de ordenadores Dell) puede dañar el dispositivo de acoplamiento o el ordenador.

Panel de E/S del dispositivo de acoplamiento

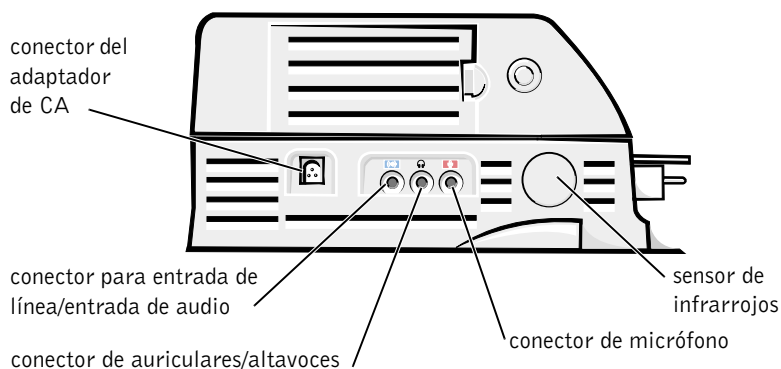


La tabla de Conectores E/S externos muestra los iconos de cada uno de los conectores situados en la parte posterior del dispositivo de acoplamiento e indica el tipo de los dispositivos externos que se pueden conectar a cada conector.

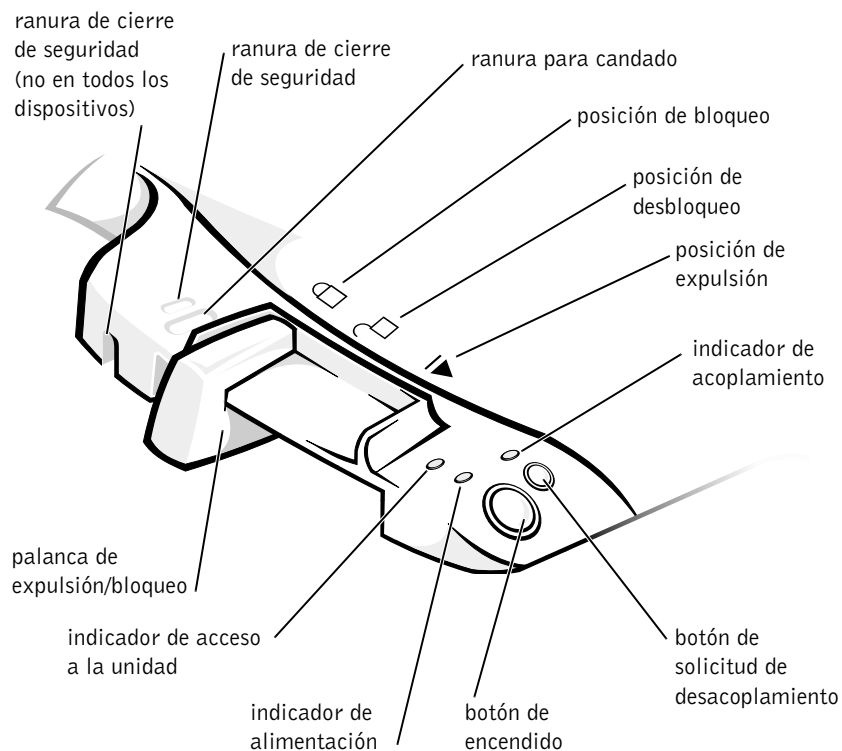
Conectores E/S externos

Icono del conector	Descripción del conector
	Uno o dos dispositivos USB, como puede ser un ratón USB, se conectan al conector USB dual.
	Un teclado externo estilo PS/2 o un teclado numérico externo se conecta al conector de teclado PS/2.
	Un ratón compatible externo PS/2 se conecta al conector de ratón PS/2.
	Un dispositivo serie, como puede ser un ratón serie o un módem externo, se conecta al conector del puerto serie.
	Un cable de interfaz de red se conecta al conector NIC.
	Un dispositivo paralelo, como puede ser una impresora, se conecta al conector de puerto paralelo.
	Un monitor externo se conecta al conector de vídeo.
	El adaptador de CA incluido con el dispositivo de acoplamiento se conecta al conector del adaptador de CA.

Conectores de audio y sensor de infrarrojos



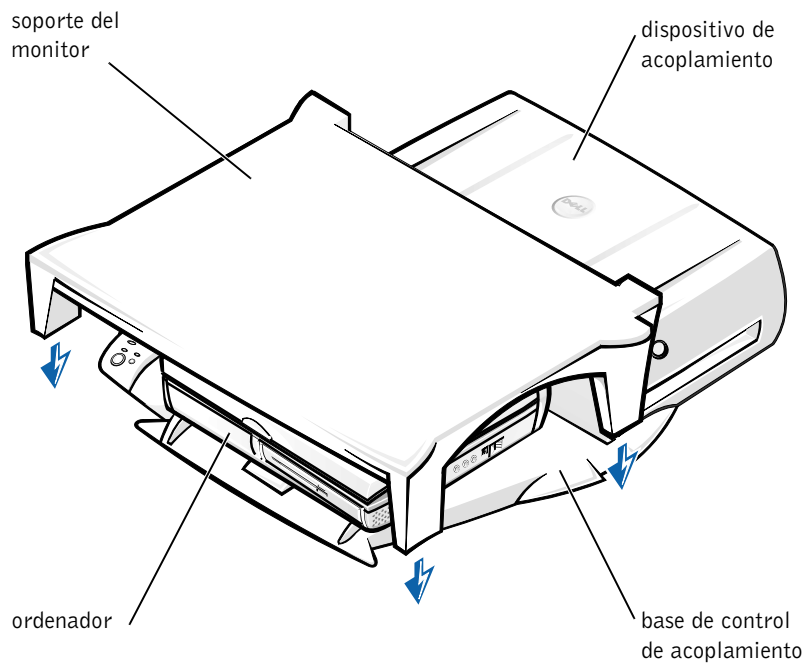
Controles e indicadores de base de control de acoplamiento



Soporte del monitor

- ➔ **AVISO:** El soporte admite monitores con un peso de hasta 45,3 kilogramos (Kg) (100 libras [lb]). Los monitores más pesados pueden dañar el soporte, el ordenador y el dispositivo de acoplamiento.

Dispositivo de acoplamiento con la base para monitor



NOTA: Asegúrese de que las patas traseras del soporte del monitor encajan en las ranuras situadas a ambos lados de la base de control de acoplamiento.

Antes de acoplar el ordenador

Si el ordenador ejecuta el sistema operativo Microsoft® Windows® 9x, Windows NT® o Windows Millennium (Me), debe comprobar primero los drivers de acoplamiento existentes en el ordenador. Si el ordenador no tiene drivers de acoplamiento, instálelos antes de acoplar el ordenador por primera vez. Para instalar los drivers de acoplamiento, siga los pasos descritos en “Instalación de los drivers de acoplamiento”.



NOTA: Si el ordenador ejecuta el sistema operativo Windows XP o Windows 2000, los drivers se instalarán automáticamente y no será necesario seguir los pasos de “Instalación de los drivers de acoplamiento”. Vaya a “Acoplamiento del ordenador.”

Compruebe los drivers de acoplamiento existentes en el ordenador

- 1 Haga doble clic en **Mi PC**.
- 2 Pulse dos veces sobre **Panel de control**.
- 3 Pulse dos veces sobre **Agregar o quitar programas**.
- 4 Localice los drivers de acoplamiento correctos a partir de la lista de programas.

*Para Windows 9x y Windows Me, busque el driver que incluye **Instalación rápida** en el nombre. Por ejemplo: Instalación rápida de Dell Dock para Windows.*

*Para Windows NT, busque **NT Softex Docking Services**.*

Si el ordenador no tiene los drivers de acoplamiento, vaya a la siguiente sección, “Instalación de los drivers de acoplamiento”. Si el ordenador tiene los drivers de acoplamiento, vaya a “Acoplamiento del ordenador”.

Instalación de los drivers de acoplamiento

Puede instalar los drivers de acoplamiento de una de las siguientes maneras:

- Instale los drivers desde el *ResourceCD* (CD de recursos) o desde el *CD Drivers and Utilities* (Drivers y utilidades) que se incluye con el ordenador o el dispositivo de acoplamiento.
- Descargue los drivers del sitio Web de asistencia técnica de Dell.

Instalación de los drivers de acoplamiento desde el *ResourceCD* o el CD *Drivers and Utilities* (Drivers y utilidades)

- 1** Inserte el *ResourceCD* o el CD *Drivers y utilidades* en la unidad de CD.

En la mayoría de los casos, el CD se inicia automáticamente. Si no es así, inicie el Explorador de Windows, pulse sobre el directorio de la unidad de CD para mostrar el contenido del CD y, a continuación, pulse dos veces sobre el archivo de aplicación **autorcd**. Si aparece la pantalla de bienvenida, haga clic en **Siguiente**. La primera vez que ejecute el CD podría pedirle que instale algunos archivos de configuración. Haga clic en **Aceptar** y siga las instrucciones en pantalla para continuar.

- 2** En el menú descendente **Idioma** de la barra de herramientas, seleccione el idioma que desee para el driver.

Aparece una pantalla de bienvenida.

- 3** Haga clic en **Siguiente**.

- 4** Bajo **Search Criteria** (Criterios de búsqueda), seleccione las categorías correspondientes en los menús descendentes **System Model** (Modelo del sistema) y **Operating System** (Sistema operativo).

Si el sistema utiliza Windows 9x o Windows Me, seleccione Utilidades del sistema en el menú descendente **Tipo de dispositivo** y seleccione **Drivers** en el menú descendente **Tema**.

Si el sistema utiliza Windows NT, seleccione Utilidades del sistema en el menú descendente **Tipo de dispositivo** y seleccione **Utilidades** en el menú descendente **Tema**.

Aparecerán uno o varios enlaces para los drivers o utilidades específicos que utiliza su ordenador.

- 5** *Si el sistema utiliza Windows 9x o Windows Me*, haga clic en el enlace para la utilidad **Dell Dock QuickInstall**.

El archivo de **instalación rápida del acoplamiento de Dell** es una utilidad que instala los drivers de acoplamiento necesarios en el ordenador.

Si el ordenador ejecuta Windows NT, pulse sobre el enlace para los **Softex Docking Services**.

- 6 Pulse sobre el botón **Instalar** e inicie la instalación automática. En la pantalla de bienvenida, siga los mensajes que aparecen en pantalla para completar la instalación.



NOTA: Algunos ResourceCD pueden exigir al usuario que se desplace por otras carpetas para conseguir el driver correcto. Para obtener información completa sobre la reinstalación de drivers, consulte la *Guía del usuario*.


Instalación de los drivers de acoplamiento desde el sitio Web de asistencia técnica de Dell


- 1 Vaya al sitio Web de asistencia técnica de Dell, en <http://support.dell.com>. Si va a visitar el sitio Web por primera vez, especifique el país pulsando sobre el mapa que aparece.
Se abre la página **Welcome to support.dell.com**.
- 2 Introduzca la información del dispositivo de acoplamiento y, a continuación, pulse sobre **Go!**
Pulse sobre **Downloads for Your Dell** (Descargas de Dell).
Aparece la ventana **Downloads For Your Dell** (Descargas de Dell), incluido un formulario para que lo rellene.
- 3 Escriba el número de la etiqueta de servicio del sistema o seleccione el sistema Dell.
- 4 Seleccione el sistema operativo y el idioma del sistema operativo.
- 5 Seleccione **Utilidades del sistema y de configuración** como categoría de descarga.
- 6 Pulse sobre **Go!**.
- 7 *Si el ordenador utiliza Windows 9x o Windows Me*, localice y haga clic en el enlace para la utilidad **Dell Dock QuickInstall**.
Si el ordenador ejecuta Windows NT, localice y pulse sobre el enlace para los **Softex Docking Services**.
- 8 Siga las instrucciones de la pantalla para descargar e instalar los drivers necesarios.
Tras descargar los archivos y antes de instalar los drivers, asegúrese de leer el archivo **readme.txt** incluido en los archivos descargados para obtener información importante sobre la instalación.

Acoplamiento del ordenador


Si conecta un monitor al dispositivo de acoplamiento y enciende el monitor, la imagen de la pantalla aparece en el monitor. Para cambiar la imagen a la pantalla del ordenador, o al monitor y la pantalla del ordenador, pulse <Fn><F8>.

Cuando se acopla el ordenador al dispositivo de acoplamiento y se enciende el ordenador, se enciende el indicador verde de alimentación en la base del control de acoplamiento (véase “Controles e indicadores de base de control de acoplamiento”).

 **AVISO:** Para evitar la pérdida de datos, guarde los archivos abiertos antes de acoplar el ordenador.

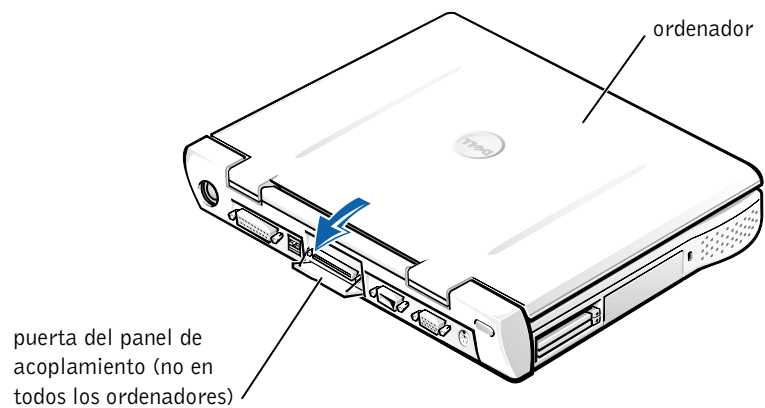
 **AVISO:** Si hay instalada una tarjeta de vídeo PCI (Peripheral Component Interconnect, interconexión de componentes periféricos) en el dispositivo de acoplamiento, apague el ordenador antes de acoplar o desacoplar para evitar la pérdida de datos.

1 Guarde todos los archivos, cierre y salga de todos los programas de aplicación, salga del sistema operativo y apague el ordenador.

 **AVISO:** Para no dañar el conector de acoplamiento, abra la puerta del panel de acoplamiento antes de intentar acoplar el ordenador al dispositivo de acoplamiento.

2 Si el ordenador tiene una puerta en el panel de acoplamiento, ábrala en la parte posterior del ordenador.

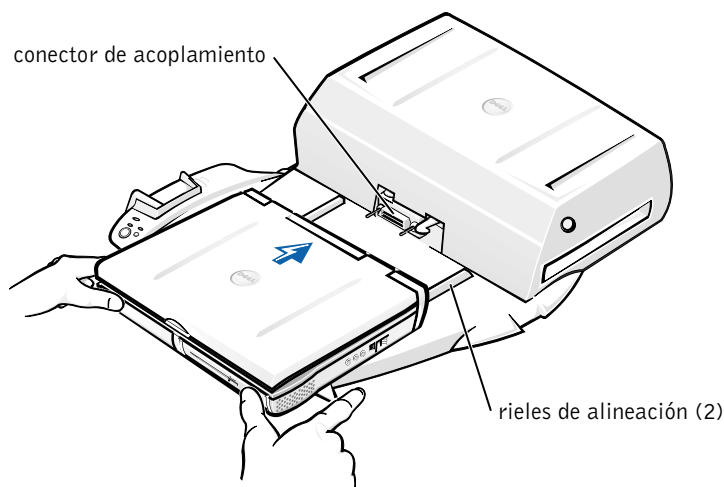
Puerta del panel de acoplamiento en el ordenador



- 3** Si está utilizando el dispositivo de acoplamiento con un soporte para monitor, cierre la pantalla del ordenador.
- 4** Asegúrese de que la palanca de expulsión/bloqueo está en la posición de desbloqueo.

- 5 Acople el ordenador al dispositivo de acoplamiento de la siguiente manera:

Acoplamiento del ordenador



- a Centre horizontalmente el ordenador en la plataforma del dispositivo de acoplamiento, con la parte posterior del ordenador mirando hacia el conector de acoplamiento del dispositivo de acoplamiento, como se muestra en “Acoplamiento del ordenador”.
- b Deslice el ordenador hacia el conector hasta que los huecos de la parte inferior del ordenador encajen con los rieles de alineación.

- ➔ **AVISO:** Si intenta insertar el ordenador totalmente en el dispositivo de acoplamiento sin encajar los rieles de alineación, podría dañar el conector de acoplamiento de forma irreparable.
- ➔ **AVISO:** No levante el ordenador o el dispositivo de acoplamiento separadamente cuando estén conectados pues pueden resultar dañados los conectores del ordenador y el dispositivo de acoplamiento.
- ➔ **AVISO:** Si está utilizando un monitor con el soporte para monitores, retire el monitor del soporte antes de poner en su sitio la base de control de acoplamiento.
- c Empuje con suavidad el ordenador hacia adelante hasta que el conector de acoplamiento esté totalmente encajado.

Acoplamiento por primera vez con Windows XP y Windows 2000

- 1 Acople y encienda el ordenador.
- 2 Pulse <F2> durante la rutina de inicialización del sistema para ver el programa de configuración del sistema.
- 3 Defina **Docking IRQ** (Acoplamiento de IRQ) como **Optimized** (Optimizado).
- 4 Defina **Universal Connect** (Conexión universal) como **Enabled** (Activada).
- 5 Salga del programa de configuración del sistema.
El sistema continuará el proceso de inicialización.

En Windows 2000 aparecerá el **Asistente para agregar nuevo hardware**.



NOTA: En *Windows XP* el sistema operativo instala automáticamente los drivers en segundo plano. En *Windows 2000*, el Asistente para agregar nuevo hardware instala automáticamente los drivers.



NOTA: En *Windows XP* y *Windows 2000*, para reinstalar drivers o comprobar que están instalados los más adecuados, consulte más adelante "Actualización de drivers en Windows XP, Windows 2000 o Windows Me".

Acoplamiento por primera vez con Windows Me

- 1 Acople y encienda el ordenador.
- 2 Pulse <F2> durante la rutina de inicialización del sistema para ver el programa de configuración del sistema.
- 3 Defina **Docking IRQ** (Acoplamiento de IRQ) como **Optimized** (Optimizado).
- 4 Defina **Universal Connect** (Conexión universal) como **Enabled** (Activada).
- 5 Salga del programa de configuración del sistema.
El sistema continuará el proceso de inicialización.
Aparecerá el **Asistente para agregar nuevo hardware**.
- 6 Seleccione **Buscar un driver apropiado para el dispositivo (recomendado)** y, a continuación, pulse sobre **Siguiente**.
- 7 Haga clic en **Siguiente**.

- 8 Siga las indicaciones del **Asistente para agregar nuevo hardware**.
- 9 Cuando se le indique, seleccione **Buscar un driver apropiado para el dispositivo (recomendado)** y, a continuación, pulse sobre **Siguiente**.
- 10 Siga las indicaciones para completar la instalación.
Aparece el escritorio de Windows y la instalación finaliza.

Acoplamiento por primera vez con Windows NT 4.0

- 1 Acople y encienda el ordenador.
- 2 Pulse <F2> durante la rutina de inicialización del sistema, o pulse <Fn><F1> después de inicializar el ordenador para ver el programa de configuración del sistema.
- 3 Defina **Docking IRQ** (Acoplamiento de IRQ) como **Optimized** (Optimizado).
- 4 Defina **Universal Connect** (Conexión universal) como **Enabled** (Activada).
- 5 Salga del programa de configuración del sistema.
- 6 Pulse <Ctrl><Alt><Supr> para iniciar la sesión.
Aparece la ventana **Docking Station Setup** (Configuración de la estación de acoplamiento) indicando que el ordenador debe estar desacoplado para continuar.
- 7 Pulse sobre **Aceptar** y espere a que se apague el ordenador.
- 8 Desacople el ordenador (consulte “Desacoplamiento del ordenador”).
El ordenador se reiniciará automáticamente. Si no lo hace, enciéndalo.
- 9 Seleccione **Aceptar** en la ventana **Device Removal** (Eliminación de dispositivos).
- 10 Pulse sobre **Inicio** y seleccione **Apagar el sistema**.
- 11 Espere a que el ordenador se apague completamente y vuelva a acoplarlo al dispositivo de acoplamiento.
El ordenador se reiniciará automáticamente. Si no lo hace, enciéndalo.
- 12 Pulse <Ctrl><Alt><Supr> para iniciar la sesión.
El ordenador detecta automáticamente los nuevos dispositivos.

- 13** Cuando se le indique, seleccione **Install System Provided Driver for the Selected Device (Recommended)** (Instalar el driver proporcionado por el sistema para el dispositivo seleccionado (recomendado)) y pulse sobre **Aceptar**.
- 14** Pulse sobre **Continue** (Continuar) en la ventana **Instalación de Windows NT**.
- 15** Seleccione **Install System Provided Driver for the Selected Device (Recommended)** (Instalar el driver proporcionado por el sistema para el dispositivo seleccionado (recomendado)) y pulse sobre **Aceptar**.
- 16** Seleccione el nombre del controlador de interfaz de red (NIC) desde el menú descendente.
- 17** Seleccione si el adaptador de red debe obtener una dirección IP de un servidor, o si se especifica una dirección IP.
Si no sabe qué debe seleccionar, consulte al administrador del sistema.
- 18** Siga las indicaciones para completar la instalación.

Aparece el escritorio de Windows y la instalación finaliza.

El ordenador no puede entrar en modo de suspensión con almacenamiento en disco mientras está acoplado.

Acoplamiento por primera vez con Windows 98

- 1** Acople y encienda el ordenador.
- 2** Pulse <F2> durante la rutina de inicialización del sistema, o pulse <Fn><F1> después de inicializar el ordenador para ver el programa de configuración del sistema.
- 3** Defina **Docking IRQ** (Acoplamiento de IRQ) como **Optimized** (Optimizado).
- 4** Defina **Universal Connect** (Conexión universal) como **Enabled** (Activada).
- 5** Salga del programa de configuración del sistema.
- 6** Si aparece la ventana **Configuration Setup** (Configuración de la instalación), pulse sobre **Aceptar**.
Aparecerá el **Asistente para agregar nuevo hardware**.
- 7** Haga clic en **Siguiente**.

- 8** Seleccione **Buscar un driver apropiado para el dispositivo (recomendado)** y, a continuación, pulse sobre **Siguiente**.
- 9** Retire la marca de comprobación que hay junto a cada opción y pulse sobre **Siguiente**.
Aparece una ventana, indicando que Windows ya puede detectar el mejor driver para el dispositivo.
- 10** Siga las indicaciones del **Asistente para agregar nuevo hardware**.
- 11** Cuando se le indique, seleccione la opción **Buscar un driver apropiado para el dispositivo (recomendado)** y, a continuación, pulse sobre **Siguiente**.
- 12** Siga las indicaciones para completar la instalación.

Aparece el escritorio de Windows y la instalación finaliza.

Acoplamiento por primera vez con Windows 95

- 1** Acople y encienda el ordenador.
- 2** Pulse <F2> durante la rutina de inicialización del sistema, o pulse <Fn><F1> después de inicializar el ordenador para ver el programa de configuración del sistema.
- 3** Defina **Docking IRQ** (Acoplamiento de IRQ) como **Optimized** (Optimizado).
- 4** Defina **Universal Connect** (Conexión universal) como **Enabled** (Activada).
- 5** Salga del programa de configuración del sistema.
El ordenador detecta automáticamente el nuevo hardware.
- 6** Pulse sobre **Sí** en la ventana **System Settings Change** (Cambio de selecciones del sistema).
El ordenador se reinicia y detecta automáticamente el nuevo hardware.
- 7** Si aparece la ventana **Configuration Setup** (Configuración de la instalación), pulse sobre **Aceptar**.
- 8** Pulse sobre **Aceptar** en la ventana **Red**.
- 9** Seleccione la pestaña **Identification** (Identificación) en la siguiente ventana **Red**.

- 10 Escriba un **Nombre del equipo** y un **Grupo de trabajo** que identifique el ordenador en la red, y haga pulse sobre **Cerrar**.

Si no está seguro del **Nombre de equipo** y **Grupo de trabajo** que debe escribir, consulte al administrador del sistema.



NOTA: Debe escribir un **Nombre de equipo** y **Grupo de trabajo** para continuar con la instalación del driver.

El ordenador copia automáticamente archivos y crea una base de datos de información del driver.

- 11 Pulse sobre **Sí** en la ventana **System Settings Change** (Cambio de selecciones del sistema).

El sistema se reiniciará.

Aparecerá la ventana **Escriba la contraseña de red**. Si no desea definir un nombre de usuario y contraseña en este momento, o si no le ha proporcionado una el administrador del sistema, pulse sobre **Cancelar**.

El ordenador detecta automáticamente el nuevo hardware.

- 12 Pulse sobre **Aceptar** en la ventana **Configuration Setup** (Configuración de la instalación).

Aparece el escritorio de Windows y la instalación finaliza.



NOTA: Para utilizar los conectores USB, debe instalar el suplemento USB desde el *ResourceCD* (CD de recursos) en el directorio `Win95\OSUpdate`. Si instala el suplemento USB, el ordenador no puede entrar en el modo de suspensión. Dell recomienda no instalar el suplemento USB a menos que intente utilizar dispositivos USB.

Actualización de drivers en Windows XP y Windows 2000

Para actualizar los drivers en Windows XP y Windows 2000:

- 1 Pulse con el botón derecho del ratón sobre **Mi PC** y pulse sobre **Manage** (administrar). (En *Windows XP*, haga clic en el botón **Inicio** para acceder a **Mi PC**. En *Windows 2000*, **Mi PC** está en el escritorio de Windows.)
- 2 En la ventana **Computer Management** (Administración de ordenadores), haga clic en **Device Manager** (Administrador de dispositivos) y haga doble clic en **Network adapters** (Adaptadores de red).

- 3 Haga doble clic en **3Com 3C920 Integrated Fast Ethernet Controller** (Controlador 3Com 3C920 Fast Ethernet integrado).
- 4 Haga clic en la ficha **Controlador**.
- 5 Haga clic en **Actualizar controlador...** y siga las indicaciones.

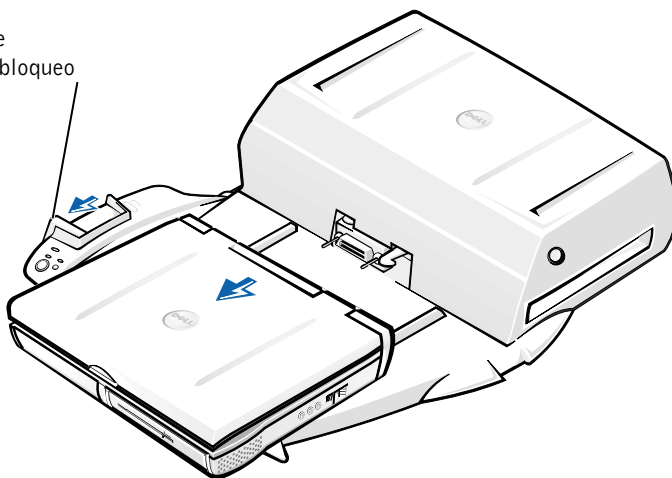
Actualización de drivers en Windows Me

Para actualizar los drivers en Windows Me:

- 1 Pulse con el botón derecho sobre **Mi PC** en el escritorio y sobre **Propiedades**.
- 2 En la ventana **Propiedades del Sistema** elija la ficha **Administrador de dispositivos** y haga doble clic en **Adaptadores de red**.
- 3 Haga doble clic en **3Com 3C920 Integrated Fast Ethernet Controller** (Controlador 3Com 3C920 Fast Ethernet integrado).
- 4 Haga clic en la ficha **Controlador**.
- 5 Haga clic en **Actualizar controlador...** y siga las indicaciones.

Desacoplamiento del ordenador

palanca de
expulsión/bloqueo



- ➔ **AVISO:** Si el ordenador no tiene una batería cargada, se apagará al desacoplarlo y se perderán todos los datos que no haya guardado.
- ➔ **AVISO:** No desacople nunca el ordenador sin prepararlo previamente. Si desacopla el ordenador antes de prepararlo, perderá los datos y el ordenador puede tardar minutos en recuperar el funcionamiento normal, o no recuperarlo.

Para preparar el ordenador para el desacoplamiento, realice uno de los procedimientos siguientes:

- Pulse <Fn><Esc> en el teclado del ordenador o <Scroll Lock> (Bloq Despl) <Esc> en un teclado externo.

Espere unos segundos a que se apague el indicador de alimentación del ordenador.

- *En Windows XP*, haga clic en el botón **Inicio** y en **Desacoplar ordenador**.

En Windows 95, Windows 98, Windows Me o Windows 2000, haga clic en el botón **Inicio** y en **Retirar equipo**.

En Windows NT, haga clic en el icono de acoplamiento en la barra de tareas y en **Desacoplar** para poner el ordenador en modo de suspensión.

Espere unos segundos a que se apague el indicador de alimentación del ordenador.

- Pulse el botón de solicitud de desacoplamiento en la base de control de acoplamiento (vea la figura “Controles e indicadores de base de control de acoplamiento”). Espere a que se apague el indicador verde de acoplamiento.

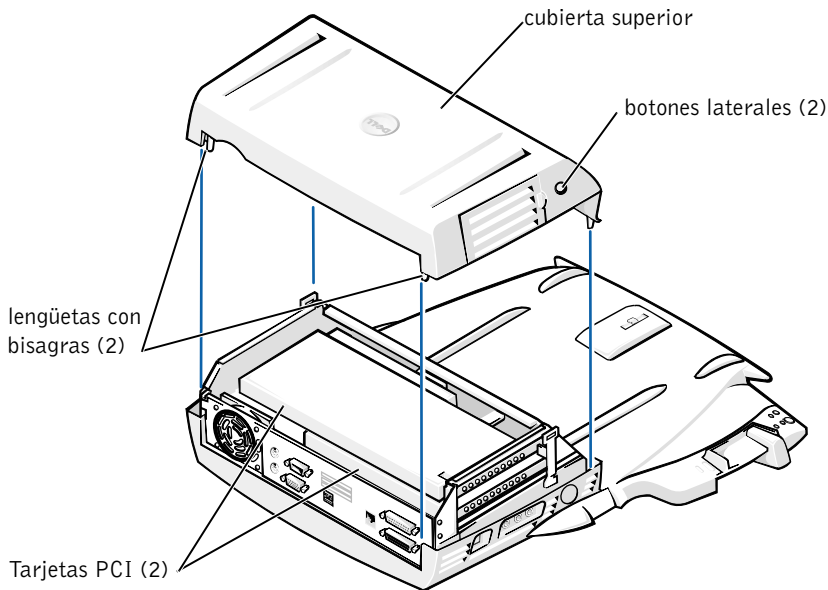
Sustitución de la batería

El dispositivo de acoplamiento utiliza una batería de ión-litio. La batería de ión-litio es una batería de larga duración y es muy posible que nunca precise reemplazarla. Sin embargo, si se ve obligado a reemplazarla, siga estos pasos.

⚠ PRECAUCIÓN: Si se instala incorrectamente una batería nueva, existe peligro de que explote. Sustituya la batería únicamente por una del mismo tipo o de un tipo equivalente recomendado por el fabricante. Deshágase de las baterías agotadas de acuerdo con las instrucciones del fabricante.

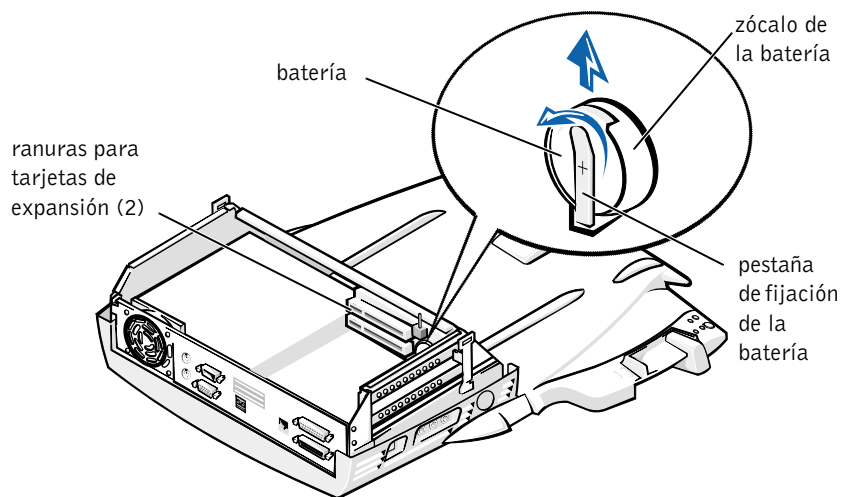
- 1 Desacople el ordenador tal como se describe en “Desacoplamiento del ordenador”.
- 2 Apague el interruptor de encendido en el dispositivo de acoplamiento y desconecte el adaptador de CA.
- 3 Retire la cubierta superior presionando los dos botones laterales y haciendo girar la cubierta hacia la parte posterior de la estación de expansión (consulte “Extracción de la cubierta superior”). Cuando la cubierta esté en posición vertical, libere las lengüetas con bisagras y retire completamente la cubierta.

Desmontaje de la cubierta superior



- 4 Retire las tarjetas instaladas de las ranuras para tarjetas de expansión.

Sustitución de la batería





- 5 Levante suavemente la pestaña de fijación de la batería y retire la batería del zócalo.
- 6 Oriente la nueva batería con el lateral que tiene la etiqueta “+” hacia arriba. Después, inserte la batería en el zócalo y suelte la pestaña de fijación.

No deposite esta batería en la basura doméstica. Póngase en contacto con la agencia local de eliminación de residuos para obtener la dirección del contenedor de baterías más cercano.

Extracción e instalación de una tarjeta de expansión PCI

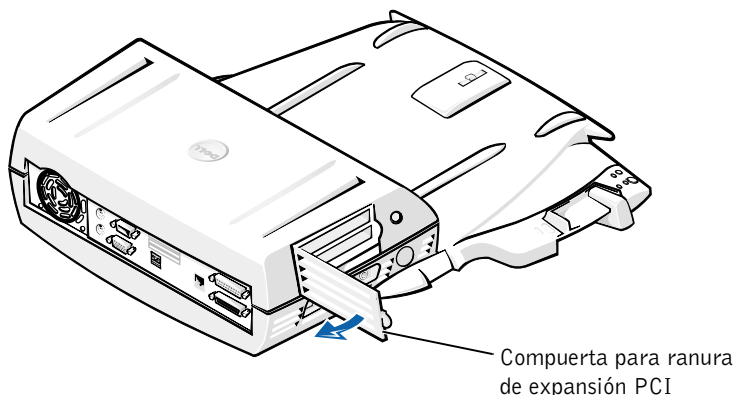
Realice los siguientes pasos para instalar una tarjeta de expansión PCI (Peripheral Component Interconnect [interconexión de componentes periféricos]) en el dispositivo de acoplamiento.

 **NOTA:** Instale tarjetas de expansión PCI de 3,3 voltios (V) cuya longitud no exceda 10 pulgadas (25,4 centímetros [cm]) en la ranura superior e instale tarjetas de expansión PCI de 3,3 o 5 V cuya longitud no exceda 6,9 pulgadas (15,5 cm) en la ranura inferior.

 **AVISO:** No toque ni maneje nada dentro del dispositivo de acoplamiento a excepción de los objetos mencionados en el procedimiento siguiente. Si toca otros objetos puede dañar el dispositivo de acoplamiento y podría invalidar la garantía.

- 1 Guarde todos los archivos, cierre y salga de todos los programas de aplicación, y salga del sistema operativo.
- 2 Apague el ordenador.
- 3 Retire el monitor del soporte. Desmonte el soporte del monitor del dispositivo de acoplamiento.
- 4 Desacople el ordenador y deje la palanca de expulsión/bloqueo en la posición de desbloqueo.
- 5 Desconecte todos los cables, incluido el cable del adaptador de CA, del dispositivo de acoplamiento. Asegúrese que la palanca de expulsión/bloqueo no esté en la posición posterior/bloqueo.
- 6 Presione el pestillo en la compuerta para ranura de expansión PCI y desmóntela. Consulte la siguiente figura.

Compuerta para ranura de expansión PCI y conector de tarjeta de expansión



- 7 Retire la cubierta superior presionando los dos botones laterales y haciendo girar la cubierta hacia la parte posterior del dispositivo de acoplamiento. Cuando esté en posición vertical, libere los pestillos de bisagra de la parte posterior del dispositivo de acoplamiento y retire por completo la cubierta superior.

Consulte la figura "Extracción de la cubierta superior".


- 8 Retire el tornillo que sujeta el soporte de montaje vacío y colóquelo a un lado para su uso en el futuro.

Retire el soporte de montaje vacío. Si está instalada una tarjeta PCI, retírela tomándola de sus esquinas exteriores, y sacándola suavemente de su conector.


- 9 Instale una tarjeta de expansión PCI.
 - a Inserte firmemente el conector del borde de la tarjeta en el conector para la tarjeta de expansión.
 - b Balancee suavemente la tarjeta de lado a lado dentro del conector hasta que se asiente por completo.
- 10 Vuelva a colocar el tornillo en el soporte de tarjeta PCI para sujetar la tarjeta PCI.
- 11 Vuelva a colocar la cubierta superior enganchando primero los pestillos de bisagra y bajando suavemente el frente de la cubierta superior hasta su lugar. La cubierta superior se encontrará adecuadamente alineada cuando oiga que los botones laterales encajan en su sitio.

- 12 Vuelva a conectar los cables, incluido el cable del adaptador de CA, que desconectó en paso 5.
- 13 Acople el ordenador.
- 14 Vuelva a colocar el soporte del monitor en el dispositivo de acoplamiento, y el monitor en el soporte del monitor.
- 15 Encienda el ordenador.
- 16 Instale los drivers de la tarjeta PCI.

Si una tarjeta de red adaptadora PCI 16/4 Token-Ring acompaña al dispositivo de acoplamiento, Dell ha incluido un CD con drivers e instrucciones de instalación.



 **NOTA:** Si está instalando drivers de red para una tarjeta adaptadora 2 de red PCI 16/4 Token-Ring, conecte el ordenador a la red antes de instalar los drivers. Informe al administrador de la red antes de conectar el dispositivo de acoplamiento a una red.

Si está utilizando una tarjeta PCI que no adquirió por medio de Dell, utilice los drivers y las instrucciones proporcionadas por el fabricante de la tarjeta.

 **NOTA:** La tarjeta de red adaptadora PCI 16/4 Token-Ring que Dell instaló ha sido probada para su uso con la Estación de expansión C/Dock II. Aunque usted puede instalar otras tarjetas de expansión PCI, Dell no garantiza su funcionalidad.

Utilización del compartimento para medios C/Dock II

Puede usar cualquier dispositivo para medios desde su ordenador, como una unidad de disquete o de CD, en el compartimento para medios de la Estación de expansión C/Dock II.

-  **AVISO:** Para evitar dañar la Estación de expansión C/Dock II o el dispositivo, no instale ningún dispositivo que normalmente no utilizaría en su ordenador en el compartimento para medios del dispositivo de acoplamiento.
-  **AVISO:** Para evitar dañar el dispositivo de acoplamiento, no instale el módulo de viaje o batería del ordenador Dell Latitude en el compartimento para medios del dispositivo de acoplamiento.

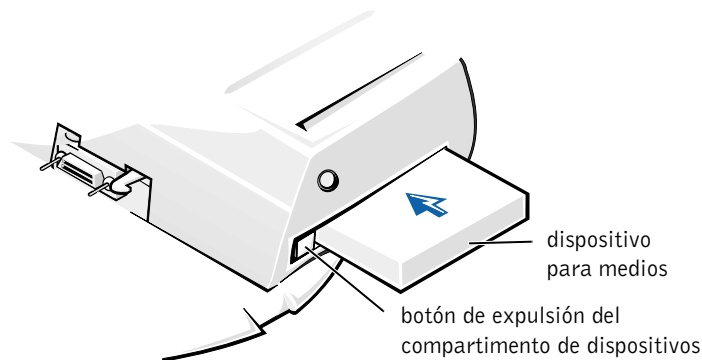
Para instalar el dispositivo para medios del ordenador en el compartimento para medios del dispositivo de acoplamiento, realice los pasos siguientes.

NOTA: La palanca de expulsión/bloqueo debe estar en posición de desbloqueo antes de instalar un dispositivo en el compartimento para dispositivos.

- 1 Guarde todos los archivos, cierre y salga de todos los programas de aplicación, y salga del sistema operativo.
- 2 Apague el ordenador.
- 3 Retire cualquier dispositivo para medios del compartimento para medios de la Estación de expansión C/Dock II.

Presione el botón de expulsión del compartimento para medios (consulte "Instalación de un dispositivo para medios en el compartimento para medios"). Después de que la unidad se deslice parcialmente fuera del compartimento para medios, retírela suavemente.

Instalación de un dispositivo para medios en el compartimento para medios



- 4 Inserte el dispositivo para medios deseado en el compartimento para medios del dispositivo de acoplamiento (consulte la figura "Instalación de un dispositivo para medios en el compartimento para medios").

- 5 Presione firmemente hacia adentro la unidad.

Cuando el dispositivo esté adecuadamente asentado, oirá un clic.

Si el dispositivo no está adecuadamente asentado, estará suelto en el compartimento para dispositivos. Vuelva a asentar el dispositivo.

- 6 Encienda el ordenador.

Instalación de un dispositivo para medios cuando se utiliza Windows NT 4.0 con Softex Docking Services.

Windows NT con Softex Docking Services le permite el acoplamiento activo de dispositivos desde el compartimento para dispositivos. Para obtener más información, consulte "Docking With Windows NT and Softex Docking Services" (Acoplamiento con Windows NT y Softex Docking Services) y la *Guía del usuario de Softex Docking Services* en <http://support.dell.com>.

Sujeción de la Estación de expansión C/Dock

Funciones de seguridad

El dispositivo de acoplamiento cuenta con las siguientes funciones de seguridad:

- Una palanca de expulsión/bloqueo que le permite sujetar y extraer su ordenador. La posición hacia atrás sujeta el ordenador a la Estación de expansión C/Dock II. La posición intermedia le permite utilizar el dispositivo de acoplamiento sin necesidad de sujetarlo. En la posición hacia adelante se expulsa el ordenador del dispositivo de acoplamiento. Empuje la palanca de expulsión/bloqueo a la posición hacia atrás para utilizar el cerrojo de seguridad por candado y la ranura del cerrojo de seguridad.
- Una palanca activada por un resorte que se encaja en la ranura de seguridad en la parte inferior del ordenador y que se encuentra al frente de la base, sujeta el ordenador a la base de control de acoplamiento. No todos los ordenadores portátiles Dell cuentan con la ranura de seguridad.
- Una cubierta superior asegurada que evita el acceso al desmontaje de tarjetas PCI (Peripheral Card Interconnect [interconexión de tarjetas de periféricos]).
- Un botón asegurado de expulsión de compartimento para medios que bloquea el desmontaje de dispositivos del compartimento para dispositivos.
- Una palanca inmóvil de captura para impedir el traslado no autorizado del ordenador.

Sujeción de la Estación de expansión C/Dock II

Utilice uno de los métodos siguientes para sujetar el dispositivo de acoplamiento:

- Utilice un candado por sí solo o un candado y un cable de seguridad en la ranura para candado (consulte la figura "Controles e indicadores de base de control de acoplamiento") en el dispositivo de acoplamiento.

Un candado por sí solo bloquea la palanca de expulsión y hace difícil la tarea de desconectar el ordenador del dispositivo de acoplamiento.

Un cable de seguridad que rodea un objeto inmóvil y que se utiliza en conjunto con el candado puede ayudar a prevenir el traslado no autorizado del ordenador y de la Estación de expansión C/Dock II.

- Conecte un dispositivo contra robos disponible comercialmente a la ranura de cerrojo de seguridad (consulte la figura "Controles e indicadores de base de control de acoplamiento") en el dispositivo de acoplamiento.

Los dispositivos antirrobo por lo general incluyen una sección de cable de filamentos metálicos que tiene sujeto un dispositivo de cerrojo que se abre con una llave. Dell le sugiere que utilice un cerrojo de marca Kensington. Para obtener instrucciones sobre la instalación de este tipo de dispositivo antirrobo, consulte la documentación que venía con el dispositivo.

Diagnósticos Dell

Los Diagnósticos Dell que vienen con su ordenador Dell Latitude incluyen pruebas que le ayudan a resolver problemas de los controladores en su dispositivo de acoplamiento.

Las subpruebas del grupo de pruebas **Interfaz de red** de los Diagnósticos Dell verifican el funcionamiento básico del controlador de red en el dispositivo de acoplamiento. Éstas prueban las funciones internas del controlador, que incluyen los accesos de lectura y escritura a sus registros y la capacidad de transmisión y recepción interna (ciclo retroactivo).

Las subpruebas del grupo de pruebas **Puertos serie/infrarrojos** verifican la interfaz del dispositivo de acoplamiento con dispositivos externos (tales como un ratón serie o una impresora). Las subpruebas de este grupo de pruebas no están diseñadas para probar el dispositivo externo.

Las subpruebas del grupo de pruebas **USB** verifican la interfaz del dispositivo de acoplamiento con dispositivos externos (tales como un ratón). Las subpruebas de este grupo de pruebas no están diseñadas para probar el dispositivo externo.

Para obtener instrucciones completas sobre la utilización de los Diagnósticos Dell, consulte la *Guía del usuario* del ordenador.

Especificaciones técnicas

Especificaciones técnicas

Físicas

Altura:

Con el soporte del monitor	10,9 cm (4,3 pulgadas)
----------------------------	------------------------

Sin accesorios	10,9 cm (4,3 pulgadas)
----------------	------------------------

Profundidad:

Con el soporte del monitor	50,0 cm (19,7 pulgadas)
----------------------------	-------------------------

Sin accesorios	47,0 cm (18,5 pulgadas)
----------------	-------------------------

Anchura:

Con el soporte del monitor	43,5 cm (17,1 pulgadas)
----------------------------	-------------------------

Sin accesorios	42,0 cm (16,5 pulgadas)
----------------	-------------------------

Peso:

Con el soporte del monitor	5,5 kg (12,0 libras)
----------------------------	----------------------

Sin accesorios	4,1 kg (9,0 libras)
----------------	---------------------

Alimentación

Adaptador de CA:

Voltaje	100–240 VCA, 50–60 Hz
---------	-----------------------

Amperaje	1,5 A
----------	-------

Estación de expansión C/Dock II:

Voltaje	requiere 20 VDC del adaptador de CA
---------	-------------------------------------

Amperaje	3,5 A
----------	-------

E/S

Especificaciones técnicas *(continuación)*

Serie (DTE)	un conector compatible con el estándar 16550, con un área de almacenamiento temporal de 16 bytes
Paralelo	un conector unidireccional, bidireccional o ECP
PS/2	dos conectores DIN miniatura
conector	dos conectores compatibles con el estándar USB
Infrarrojos	un puerto de infrarrojos compatible con los estándares IrDA 1,1 (Fast IR [IR rápido]) y 1,0
Línea de salida de audio	enchufe de entrada de micrófono; enchufe de entrada de línea/entrada de sonido (para dispositivos de grabación o reproducción); enchufe de salida de línea de sonido (para auriculares)
SCSI	un conector D subminiatura de 50 patas Ultra SCSI
Vídeo	un conector
Red	un conector RJ45
Acoplamiento (para conectar el ordenador)	un conector
Controlador de red Ethernet	
Conjunto de chips	3Com® 3C920; 10/100 BASE-TX (compatible con PC99)
Amplitud del bus de datos	interfaz de bus anfitrión PCI de 32 bits
IRQ	IRQ10
Controlador SCSI	
Conjunto de chips	Adaptec AIDC 7880C
Amplitud del bus de datos	bus SCSI de 8 bits; interfaz de bus anfitrión PCI de 32 bits
Velocidad de transferencia de datos	20 MB/seg
IRQ	IRQ10

Instrucciones de seguridad y EMC: Ordenadores portátiles

La información siguiente define el significado de los símbolos *adicionales* utilizados *únicamente* en las instrucciones de Seguridad y Compatibilidad electromagnética (EMC).



Riesgo de explosión



Aeronave



Riesgo de fuego



La utilización de esta característica podría restringirse en las aeronaves



Riesgo de una
descarga eléctrica



Instrucciones de seguridad

General

- Cuando configure la estación de acoplamiento para trabajar, colóquela en una superficie nivelada.
- No intente reparar la estación de acoplamiento usted mismo a menos que sea una persona del servicio técnico autorizado. Siga siempre las instrucciones de instalación con exactitud.
- Si utiliza un alargador con el adaptador de corriente alterna, asegúrese de que el porcentaje total de amperios de los productos enchufados al alargador no exceden el porcentaje de amperios de éste.
- No inserte ningún objeto en las rejillas o aberturas de ventilación de su ordenador. Si lo hace y hubiera un cortocircuito en los componentes internos, se podría ocasionar un incendio o una descarga eléctrica.





- Cuando utilice el adaptador de CA para suministrar alimentación al ordenador o para cargar la batería, sitúelo en un área ventilada, como podría ser un escritorio o en el suelo. No cubra el adaptador de CA con papeles u otros objetos que reduzcan la refrigeración; tampoco utilice el adaptador de CA dentro de un maletín.



- No utilice el equipo en un entorno húmedo, por ejemplo, cerca de un baño, lavabo, fregadero, piscina o en una superficie mojada.



- Para evitar el peligro potencial de sufrir una descarga eléctrica, no conecte ni desconecte ningún cable ni realice el mantenimiento o la reconfiguración de este producto en el transcurso de una tormenta eléctrica. No utilice el ordenador durante una tormenta eléctrica a menos que todos los cables hayan sido desconectados previamente y el ordenador funcione con la alimentación proporcionada por la batería.
- Utilice sólo el adaptador de CA y las baterías que se han aprobado para su uso con este dispositivo de acoplamiento tal como se indica en este documento. La utilización de otro tipo de paquetes de baterías o de adaptadores de CA podría implicar un riesgo de incendio o explosión.
- Antes de limpiar la estación de acoplamiento, apáguela y desconecte el adaptador de CA de la toma de corriente. Limpie la estación de acoplamiento con un paño suave mojado en agua. No utilice ningún líquido limpiador o aerosol que pudiera contener sustancias inflamables.



Alimentación (Instrucciones de seguridad)



- Utilice siempre el adaptador de CA proporcionado por Dell que se ha aprobado para su uso con esta estación de acoplamiento. El uso de otro tipo de adaptador de CA podría implicar un riesgo de incendio o explosión.
- Antes de conectar la estación de acoplamiento a una toma de corriente, asegúrese de que el tipo de voltaje del adaptador CA y la frecuencia coinciden con los de la fuente de alimentación disponible.
- Para eliminar la alimentación del ordenador, apáguelo y desconecte el adaptador de CA de la toma de corriente.



- Para evitar una descarga eléctrica, enchufe el adaptador de CA y los cables de alimentación de los dispositivos periféricos a fuentes de alimentación con toma de tierra. Estos cables podrían estar equipados con enchufes de tres clavijas para garantizar la toma de tierra. No utilice adaptadores ni retire la clavija de toma de tierra del enchufe de la toma de alimentación. Si utiliza un alargador para realizar la conexión, utilice el tipo apropiado, de dos o tres clavijas, para conectar el cable de alimentación de CA del adaptador.
- Asegúrese de que no haya nada sobre el cable de alimentación del adaptador de CA y de que éste no esté en un sitio donde se pueda pisar o sea fácil tropezar con él.



- Si utiliza una regleta de enchufes, proceda con precaución al conectar el cable de alimentación de CA del adaptador a la regleta. Algunas regletas permiten realizar conexiones erróneas. La conexión incorrecta del enchufe podría provocar daños irreparables en el ordenador, además del riesgo de sufrir una descarga eléctrica o de producir fuego. Asegúrese de que la clavija de toma de tierra del enchufe de alimentación está insertada en la conexión de toma de tierra de la regleta.

Avisos sobre regulación

Una interferencia electromagnética (EMI, Electromagnetic Interference) es cualquier señal o emisión, radiada en el espacio o conducida a través de un cable de alimentación o señal, que pone en peligro el funcionamiento de la navegación por radio u otro servicio de seguridad, o degrada seriamente, obstruye o interrumpe de forma repetida un servicio de comunicaciones por radio autorizado. Los servicios de radiocomunicaciones incluyen, entre otros, emisoras comerciales de AM/FM, televisión, servicios de telefonía móvil, radar, control de tráfico aéreo, buscapersonas y servicios de comunicación personal (PCS, Personal Communication Services). Estos servicios autorizados, junto con emisores no intencionados como dispositivos digitales, incluidos los ordenadores, contribuyen al entorno electromagnético.

La compatibilidad electromagnética (EMC, Electromagnetic Compatibility) es la capacidad de los componentes del equipo electrónico de funcionar correctamente juntos en el entorno electrónico. Aunque este ordenador se ha diseñado y ajustado para cumplir con los límites de emisión electromagnética establecidos por la agencia reguladora, no hay ninguna garantía de que no ocurran interferencias en una instalación en particular. Si este equipo provoca interferencias con servicios de comunicaciones por radio, lo que se puede determinar apagando y encendiendo el equipo, intente corregir dichas interferencias adoptando una o varias de las siguientes medidas:

- Reoriente la antena de recepción.
- Reubique el equipo con respecto al receptor.
- Aparte el ordenador del receptor.
- Conecte el equipo a una toma diferente de forma que el equipo y el receptor se encuentren en ramas diferentes del circuito.

Si es necesario, consulte a un representante de la Asistencia técnica de Dell o a un técnico experimentado de radio o televisión para obtener consejos adicionales.

Los ordenadores Dell se diseñan, prueban y clasifican en función del entorno electromagnético en el que se van a utilizar. Estas clasificaciones de entornos electromagnéticos se refieren generalmente a las siguientes definiciones armonizadas:

- Clase A: normalmente para entornos empresariales o industriales.
- Clase B: normalmente para entornos residenciales.

El equipo de tecnología de información (ITE, Information Technology Equipment), incluidos los dispositivos, tarjetas de expansión, impresoras, dispositivos de entrada/salida (E/S), monitores, etc., integrados en el ordenador o conectados a él, debe ajustarse a la clasificación del entorno electromagnético del ordenador.

Aviso acerca de los cables de señal blindados: Utilice únicamente cables blindados para conectar dispositivos a cualquier dispositivo Dell con el fin de reducir las posibilidades de interferencias con los servicios de comunicaciones de radio. La utilización de cables blindados garantiza que se mantiene la apropiada clasificación EMC para el entorno diseñado. Para impresoras en paralelo, existen cables de Dell. Si lo prefiere, puede solicitar un cable de Dell en el sitio <http://accessories.us.dell.com/> de la World Wide Web.

La mayoría de los ordenadores Dell están clasificados para entornos de Clase B. Sin embargo, la inclusión de determinadas opciones puede cambiar la clasificación de algunas configuraciones a Clase A. Para determinar la clasificación electromagnética para el ordenador o el dispositivo, consulte las siguientes secciones específicas para cada agencia reguladora. Cada sección proporciona el EMI/EMC específico de cada país o información de seguridad del producto.

Avisos FCC (sólo para EE.UU.)

La mayoría de los ordenadores Dell están clasificados por la Comisión Federal de Comunicaciones (FCC, del inglés Federal Communications Commission) como dispositivos digitales de Clase B. Para determinar qué clasificación se aplica a su sistema, examine todas las etiquetas de registro FCC ubicadas en la parte inferior o posterior del equipo, en las placas de sujeción de las tarjetas y en las propias tarjetas. Si alguna de las etiquetas tiene una clasificación de Clase A, el ordenador completo se considera como dispositivo digital de Clase A. Si *todas* las etiquetas llevan una clasificación FCC de clase B, indicada mediante un número de identificación FCC o el logotipo de la FCC, (**FC**), el ordenador se considerará un dispositivo digital de clase B.

Una vez que determine la clasificación FCC del sistema, lea el aviso FCC correspondiente. Tenga en cuenta que las regulaciones FCC estipulan que los cambios o modificaciones no aprobados expresamente por Dell pueden anular su autoridad para operar con este equipo.

Este dispositivo cumple con el Apartado 15 de la Normativa de la FCC. El funcionamiento está sujeto a las dos condiciones siguientes:

- Este dispositivo no debe provocar interferencias perjudiciales.
- Este dispositivo debe aceptar cualquier interferencia recibida, incluidas las interferencias que puedan provocar un funcionamiento no deseado.

Clase A

Este equipo ha sido probado y cumple con los límites establecidos para los dispositivos digitales de Clase A, de conformidad con lo dispuesto en el Apartado 15 de la normativa de la FCC. Estos límites están diseñados para proporcionar una protección razonable contra interferencias perjudiciales cuando el equipo se utiliza en un entorno comercial. Este equipo genera, utiliza y puede radiar energía por radiofrecuencia y, si no se instala y utiliza de acuerdo con el manual de instrucciones del fabricante, puede provocar interferencias perjudiciales en las comunicaciones por radio. El funcionamiento de este equipo en un área residencial puede llegar a provocar interferencias perjudiciales, en cuyo caso se le pedirá que corrija las interferencias y que se haga cargo del gasto generado.

Clase B

Este equipo ha sido probado y cumple con los límites de los dispositivos digitales de Clase B de conformidad con el Apartado 15 de la Normativa de la FCC. Estos límites están diseñados para proporcionar una protección razonable contra interferencias perjudiciales en instalaciones residenciales. Este equipo genera, utiliza y puede radiar energía por radiofrecuencia y, si no se instala y utiliza de acuerdo con el manual de instrucciones del fabricante, puede provocar interferencias en las comunicaciones por radio. Sin embargo, no existe garantía de que no ocurran interferencias en una instalación en particular. Si este equipo provoca interferencias en las recepciones de radio o televisión, lo cual se puede determinar apagando y volviéndolo a encender el equipo, intente corregir las interferencias adoptando una o varias de las siguientes medidas:

- Reoriente o reubique la antena de recepción.
- Aumente la separación entre el equipo y el receptor.
- Conecte el equipo a un enchufe en un circuito diferente del que esté conectado al receptor.
- Para obtener más ayuda, consulte a su distribuidor o a un técnico con experiencia en radio o televisión.

La información que se proporciona a continuación aparece en el dispositivo o dispositivos mencionados en este documento conforme a las regulaciones FCC:

- Número de modelo: PDX
- Nombre de la organización:

Dell Computer Corporation
One Dell Way
Round Rock, Texas 78682 EE.UU.

Aviso IC (sólo para Canadá)

La mayoría de los ordenadores Dell (y otros aparatos digitales de Dell) están clasificados por el estándar nº 3 de equipos que provocan interferencias (ICES-003, del inglés Interference-Causing Equipment Standard #3) de la Industria de Canadá (IC) como dispositivos digitales de Clase B. Para determinar qué clasificación (Clase A o B) se aplica a su ordenador (u otro aparato digital de Dell), examine todas las etiquetas de registro ubicadas en el panel inferior o posterior de su equipo (u otro aparato digital). El texto “IC Class A ICES-003” o “IC Class B ICES-003” aparecerá en una de estas etiquetas. Tenga en cuenta que las regulaciones de la Industria de Canadá estipulan que los cambios o modificaciones no aprobados expresamente por Dell pueden anular su autoridad para operar con este equipo.

Este aparato digital de Clase B (o de Clase A, si así se indica en la etiqueta de registro) cumple los requisitos de las regulaciones canadienses de equipos que provocan interferencias (Canadian Interference-Causing Equipment Regulations).

Cet appareil numérique de la Classe B (ou Classe A, si ainsi indiqué sur l'étiquette d'enregistrement) respecte toutes les exigences du Règlement sur le Matériel Brouilleur du Canada.

Aviso CE (Unión Europea)

El símbolo **CE** indica que este ordenador Dell se ajusta a la directiva EMC y a la directiva de bajo voltaje de la Unión Europea. Dicho símbolo indica que este sistema Dell cumple los siguientes estándares técnicos:

- EN 55022: "Límites y métodos de medición de interferencias de radio características de equipos de tecnología de información".
- EN 55024: "Equipos de tecnología de información - Características de inmunidad - Límites y métodos de medición".
- EN 61000-2-3: "Compatibilidad electromagnética (EMC) - parte 3: Límites: sección 2: Límites de las emisiones de corriente armónica (Corriente de entrada al equipo hasta 16 A, inclusive, por fase)".
- EN 61000-3-3: "Compatibilidad electromagnética (EMC) - parte 3: Límites: sección 3: Limitación de las fluctuaciones y oscilaciones de voltaje en sistemas de alimentación a bajo voltaje para equipos con corriente declarada hasta 16 A, inclusive".
- EN 60950: "Seguridad de los equipos de tecnología de información".



NOTA: Los requisitos de emisiones EN 55022 proporcionan dos clasificaciones:

- La clase A es para áreas comerciales convencionales.
- La clase B es para áreas domésticas convencionales.

Este dispositivo Dell está clasificado para su uso en un entorno doméstico convencional de Clase B.

Se ha realizado una "Declaración de conformidad" de acuerdo con las directivas y estándares anteriores y está archivada en Dell Computer Corporation Products Europe BV, Limerick, Irlanda.

Cómo desechar las baterías

El dispositivo de acoplamiento utiliza una batería de ión-litio. La batería de ión-litio es de larga duración y es muy posible que nunca precise reemplazarla. Sin embargo, si necesita reemplazarla, consulte más arriba en este mismo documento “Sustitución de la batería”.



No mezcle las baterías con la basura doméstica. Póngase en contacto con la agencia local de eliminación de residuos para obtener la dirección del contenedor de baterías más cercano.

Conformidad EN 55022 (sólo para la República Checa)

Este dispositivo pertenece a los dispositivos de Clase B como se describe en EN 55022, a no ser que aparezca específicamente marcado en la tarjeta de especificación que se trata de un dispositivo de Clase A. Lo siguiente se aplica a dispositivos de Clase A de EN 55022 (con un radio de protección de hasta 30 metros). El usuario del dispositivo está obligado a tomar las medidas necesarias para eliminar todas las fuentes de interferencia a telecomunicaciones u otros dispositivos.

Pokud není na typovém štítku počítače uvedeno, že spadá do třídy A podle EN 55022, spadá automaticky do třídy B podle EN 55022. Pro zařízení zařazená do třídy A (ochranné pásmo 30m) podle EN 55022 platí následující. Dojde-li k rušení telekomunikačních nebo jiných zařízení, je uživatel povinen provést taková opatření, aby rušení odstranil.

Aviso VCCI (sólo para Japón)

La mayoría de los ordenadores Dell están clasificados por el Consejo de Control Voluntario de las interferencias (VCCI, del inglés Voluntary Control Council for Interference) como equipo de tecnología de información (ITE) de Clase B. No obstante, la inclusión de ciertas opciones puede cambiar el rango de algunas configuraciones a la Clase A. El ITE, incluidos dispositivos, tarjetas de expansión, impresoras, dispositivos de entrada/salida (E/S), monitores, etc., integrados en o conectados al ordenador, debe ajustarse a la clasificación de entorno electromagnético (Clase A o B) del ordenador.

Para determinar qué clasificación se aplica a su ordenador, examine todas las etiquetas/marcas de regulación (vea la "Marca de regulación de ITE de VCCI de Clase A" y la "Marca de regulación de ITE de VCCI de Clase B") ubicadas en el panel inferior o posterior de su ordenador. Una vez que determine la clasificación VCCI del sistema, lea el aviso VCCI correspondiente.

ITE de Clase A

この装置は、情報処理装置等電波障害自主規制協議会（VCCI）の基準に基づくクラス A 情報技術装置です。この装置を家庭環境で使用すると電波妨害を引き起こすことがあります。この場合には使用者が適切な対策を講ずるよう要求されることがあります。

Es un producto de Clase A basado en el estándar del Consejo de Control Voluntario de las Interferencias (VCCI, del inglés Voluntary Control Council for Interference) para los equipos de tecnología de información. Si este equipo se utiliza en un entorno doméstico, podrán producirse alteraciones de radio. Cuando ocurran dichos problemas, se puede pedir al usuario que realice acciones correctoras.

Marca de regulación de ITE de VCCI de Clase A

VCCI-A

ITE de Clase B

この装置は、情報処理装置等電波障害自主規制協議会（VCCI）の基準に基づくクラス B 情報技術装置です。この装置は家庭環境で使用することを目的としていますが、ラジオやテレビジョン受信機に近接して使用されると、受信障害を引き起こすことがあります。
取扱説明書に従って正しい取り扱いをしてください。

Es un producto de Clase B basado en el estándar del Consejo de Control Voluntario de las Interferencias (VCCI, del inglés Voluntary Control Council for Interference) para los equipos de tecnología de información. Si este equipo se utiliza cerca de un receptor de radio o televisión en un entorno doméstico, puede provocar interferencias de radio. Instale y utilice el equipo de acuerdo con el manual de instrucciones.

Marca de regulación de ITE de VCCI de Clase B



Nota MIC (sólo para la República de Corea)

Para determinar qué clasificación (Clase A o B) le corresponde a su ordenador (u otro dispositivo digital Dell), examine las etiquetas de registro del Ministerio de Información y Comunicaciones de la República de Corea que se encuentran en el ordenador (u otro dispositivo digital Dell). La etiqueta MIC puede estar situada en un lugar distinto del de otras marcas de regulación aplicadas al producto. La tercera línea de la etiqueta identifica la clase de emisiones del producto: “(A)” para los productos de clase A o “(B)” para los productos de clase B.

NOTA: Los requisitos de emisiones MIC proporcionan dos clasificaciones:

- Los dispositivos de Clase A son para fines empresariales.
- Los dispositivos de Clase B son para fines distintos de los empresariales.

Dispositivo Clase A

기종별	사용자안내문
A급 기기 (업무용 정보통신기기)	이 기기는 업무용으로 전자파적합등록을 한 기기이오니 판매자 또는 사용자는 이 점을 주의하시기 바라며 만약 잘못 판매 또는 구입하였을 때에는 가정용으로 교환하시기 바랍니다.

Observe que este dispositivo ha sido aprobado para fines empresariales en lo que se refiere a interferencias electromagnéticas. Si considera que este dispositivo no se adapta a sus necesidades, puede cambiarlo por otro con fines distintos a los empresariales.

Etiqueta de regulación de Clase A de MIC.



1. 기기의 명칭(모델명):
2. 인증번호:
3. 인증받은 자의 상호: (A)
4. 제조년월일:
5. 제조자/제조국가:

Dispositivo Clase B

기종별	사용자 안내문
B급 기기 (가정용 정보통신기기)	이 기기는 가정용으로 전자파적합등록을 한 기기로서 주거지역에서는 물론 모든 지역에서 사용할 수 있습니다.

Observe que este dispositivo ha sido aprobado para fines distintos a los empresariales y puede utilizarse en cualquier entorno, incluso en áreas residenciales.

Etiqueta de regulación de Clase B de MIC.



1. 기기의 명칭(모델명):
2. 인증번호:
3. 인증받은 자의 상호: (B)
4. 제조년월일:
5. 제조자/제조국가:

Aviso del centro polaco de pruebas y certificación

El equipo debe conectarse a un enchufe con circuito de protección (un enchufe de tres bornes). Todos los elementos que funcionan en conjunto (ordenador, monitor, impresora, etcétera) deben tener la misma fuente de alimentación.

El conductor de fase de la instalación eléctrica de la sala debe tener un dispositivo de reserva de protección contra cortocircuitos en forma de fusible con un valor nominal no superior a 16 amperios (A).

Para desconectar totalmente el equipo, es preciso desconectar el cable de la fuente de alimentación del enchufe, que debe estar situado cerca del equipo y ser fácilmente accesible.

La marca de protección "B" confirma que el equipo cumple los requisitos de uso de protección de los estándares PN-93/T-42107 y PN-EN 55022: 1996.

Wymagania Polskiego Centrum Badań i Certyfikacji

Urządzenie powinno być zasilane z gniazda z przyłączonym obwodem ochronnym (gniazdo z kołkiem). Współpracujące ze sobą urządzenia (komputer, monitor, drukarka) powinny być zasilane z tego samego źródła.

Instalacja elektryczna pomieszczenia powinna zawierać w przewodzie fazowym rezerwową ochronę przed zwarciami, w postaci bezpiecznika o wartości znamionowej nie większej niż 16A (amperów).

W celu całkowitego wyłączenia urządzenia z sieci zasilania, należy wyjąć wtyczkę kabla zasilającego z gniazdka, które powinno znajdować się w pobliżu urządzenia i być łatwo dostępne.

Znak bezpieczeństwa "B" potwierdza zgodność urządzenia z wymaganiami bezpieczeństwa użytkownika zawartymi w PN-93/T-42107 i PN-EN 55022:1996.

Jeżeli na tabliczce znamionowej umieszczono informację, że urządzenie jest klasy A, to oznacza to, że urządzenie w środowisku mieszkalnym może powodować zakłócenia radioelektryczne. W takich przypadkach można żądać od jego użytkownika zastosowania odpowiednich środków zaradczych.

Pozostałe instrukcje bezpieczeństwa

- Nie należy używać wtyczek adapterowych lub usuwać kołka obwodu ochronnego z wtyczki. Jeżeli konieczne jest użycie przedłużacza to należy użyć przedłużacza 3-żyłowego z prawidłowo połączonym przewodem ochronnym.
- System komputerowy należy zabezpieczyć przed nagłymi, chwilowymi wzrostami lub spadkami napięcia, używając eliminatora przepięć, urządzenia dopasowującego lub bezzakłócenowego źródła zasilania.
- Należy upewnić się, aby nic nie leżało na kablach systemu komputerowego, oraz aby kable nie były umieszczone w miejscu, gdzie można byłoby na nie nadeptywać lub potykać się o nie.
- Nie należy rozlewać napojów ani innych płynów na system komputerowy.
- Nie należy wpychać żadnych przedmiotów do otworów systemu komputerowego, gdyż może to spowodować pożar lub porażenie prądem, poprzez zwarcie elementów wewnętrznych.
- System komputerowy powinien znajdować się z dala od grzejników i źródeł ciepła. Ponadto, nie należy blokować otworów wentylacyjnych. Należy unikać kładzenia luźnych papierów pod komputer oraz umieszczania komputera w

Información para NOM (sólo para México)

La información que se proporciona a continuación aparece en el dispositivo o dispositivos descritos en este documento en cumplimiento de los requisitos de la Norma Oficial Mexicana (NOM):

Exportador:	Dell Computer Corporation One Dell Way Round Rock, TX 78682
Importador:	Dell Computer de México, S.A. de C.V. Paseo de la Reforma 2620 - 11° Piso Col. Lomas Altas 11950 México, D.F.
Embarcar a:	Dell Computer de México, S.A. de C.V. al Cuidado de Kuehne & Nagel de México S. de R.l. Avenida Soles No. 55 Col. Peñón de los Baños 15520 México, D.F.
Voltaje de entrada de alimentación:	100-240 VCA
Frecuencia:	50-60 Hz
Consumo eléctrico:	1,5 A
Voltaje de salida:	20 VCC
Corriente de salida:	3,5 A

Aviso BSMI (sólo para Taiwán)

BSMI 通告 (僅限於台灣)

大多數的 Dell 電腦系統被 BSMI (經濟部標準檢驗局) 劃分為乙類數位裝置。但是，使用某些選件會使有些組態的等級變成甲類。若要確定您的電腦系統適用等級，請檢查所有位於電腦底部或背面板、擴充卡安裝托架，以及擴充卡上的 BSMI 註冊標籤。如果其中有一甲類標籤，即表示您的系統為甲類數位裝置。如果只有 BSMI 的檢磁號碼標籤，則表示您的系統為乙類數位裝置。

一旦確定了系統的 BSMI 等級，請閱讀相關的 BSMI 通告。請注意，BSMI 通告規定凡是未經 Dell Computer Corporation 明確批准的擅自變更或修改，將導致您失去此設備的使用權。

此裝置符合 BSMI (經濟部標準檢驗局) 的規定，使用時須符合以下兩項條件：

- 此裝置不會產生有害干擾。
- 此裝置必須能接受所接收到的干擾，包括可能導致無法正常作業的干擾。

甲類

此設備經測試證明符合 BSMI (經濟部標準檢驗局) 之甲類數位裝置的限制規定。這些限制的目的是為了在商業環境中使用此設備時，能提供合理的保護以防止有害的干擾。此設備會產生、使用並散發射頻能量；如果未遵照製造廠商的指導手冊來安裝和使用，可能會干擾無線電通訊。請勿在住宅區使用此設備。

警告使用者：

這是甲類的資訊產品，在居住的環境中使用時，可能會造成射類干擾，在這種情況下，使用者會被要求採取某些適當的對策。

乙類

此設備經測試證明符合 BSMI (經濟部標準檢驗局) 之乙類數位裝置的限制規定。這些限制的目的是為了在住宅區安裝時，能防止有害的干擾，提供合理的保護。此設備會產生、使用並散發射頻能量；如果未遵照製造廠商的指導手冊來安裝和使用，可能會干擾無線電通訊。但是，這並不保證在個別的安裝中不會產生干擾。您可以透過關閉和開啓此設備來判斷它是否會對廣播和電視收訊造成干擾；如果確實如此，我們建議您嘗試以下列一種或多種方法來排除干擾：

- 重新調整天線的接收方向或重新放置接收天線。
- 增加設備與接收器的距離。
- 將設備連接至不同的插座，使設備與接收器連接在不同的電路上。
- 請向經銷商或有經驗的無線電/電視技術人員查詢，以獲得幫助。

Aviso de marca CE

Este dispositivo cumple los requisitos de la Directiva europea 1999/5/EC.

Garantía limitada y política de devoluciones

Consulte la factura que acompaña al dispositivo de acoplamiento para determinar la garantía adquirida.


Garantía limitada de un año (sólo EE.UU.)

Dell Computer Corporation (“Dell”) fabrica sus productos de hardware a partir de piezas y componentes nuevos o equivalentes a nuevos, de acuerdo con las prácticas habituales en el sector. Dell garantiza que los productos de hardware que fabrica están libres de defectos tanto de materiales como de mano de obra. El plazo de garantía limitada es de un año contado desde la fecha de la factura, tal como se describe en el siguiente texto.

Los daños producidos durante el envío de los productos están cubiertos por esta garantía limitada. En cualquier otro caso, esta garantía limitada no cubre los daños producidos por causas externas, lo que incluye accidente, abuso, uso incorrecto, problemas con la alimentación eléctrica, asistencia técnica no autorizada por Dell, utilización no ajustada a las instrucciones del producto, inobservancia del mantenimiento preventivo necesario y problemas causados por el uso de piezas y componentes no suministrados por Dell.

Esta garantía limitada no cubre ninguno de los elementos comprendidos en una o más de las siguientes categorías: software, dispositivos externos (excepto los indicados específicamente), piezas o accesorios añadidos a un sistema Dell después de que el sistema haya sido entregado por Dell, piezas o accesorios añadidos a un sistema Dell a través de un departamento de integración de sistemas de Dell, piezas o accesorios no instalados en la fábrica de Dell o productos DellWare™. Los monitores, teclados y ratones de la marca Dell o que estén incluidos en la lista de precios estándar de Dell quedan cubiertos por esta garantía limitada; los demás de monitores, teclados y ratones (incluidos aquellos que se venden a través del programa DellWare) no están cubiertos.

Dell reparará o sustituirá los productos cubiertos por esta garantía limitada que sean devueltos a Dell. Para solicitar asistencia en garantía, debe ponerse en contacto con la Asistencia técnica a clientes de Dell dentro del periodo de garantía limitada. Consulte “Obtención de ayuda” en la *Guía del usuario* en línea para buscar información de contacto correcta de asistencia a clientes. Si necesita asistencia en garantía, Dell le proporcionará un Número de autorización para devolución de material. Debe enviar los productos a Dell en su embalaje original o uno equivalente, a portes pagados, y hacerles un seguro o aceptar el riesgo de pérdida o daños durante el envío. Dell devolverá los productos reparados o sustituidos (a portes pagados), si el destino es una dirección continental de EE.UU., donde sea aplicable. Los envíos a otras ubicaciones se realizarán a portes debidos.

 **NOTA:** Antes de enviar los productos a Dell, haga una copia de seguridad de los datos de las unidades de disco duro y de cualquier otro dispositivo de almacenamiento en el producto o productos. Saque cualquier dispositivo extraíble, como disquetes, discos compactos o tarjetas PC.

Dell será propietaria de todas las piezas extraídas de los productos reparados. Dell utiliza piezas nuevas o reacondicionadas de diversos fabricantes al realizar reparaciones en garantía y al fabricar componentes de repuesto. Si Dell repara o sustituye un producto, la duración de su garantía no queda ampliada.

ESTA GARANTÍA LIMITADA LE OTORGA DERECHOS LEGALES ESPECÍFICOS A LOS QUE PUEDEN SUMARSE OTROS DERECHOS, QUE PUEDEN VARIAR DE UN ESTADO A OTRO (O DE UNA JURISDICCIÓN A OTRA). LA RESPONSABILIDAD DE DELL POR FUNCIONAMIENTO INCORRECTO O DEFECTOS EN EL HARDWARE ESTÁ LIMITADA A LA REPARACIÓN O SUSTITUCIÓN, TAL COMO SE ESTABLECE EN ESTA DECLARACIÓN DE GARANTÍA LIMITADA. TODAS LAS GARANTÍAS EXPLÍCITAS O IMPLÍCITAS PARA EL PRODUCTO, INCLUIDAS ENTRE OTRAS LAS GARANTÍAS IMPLÍCITAS Y CONDICIONES DE COMERCIALIZACIÓN E IDONEIDAD PARA UN PROPÓSITO EN PARTICULAR, ESTÁN LIMITADAS, EN CUANTO A DURACIÓN, AL PERIODO DE GARANTÍA ESTABLECIDO ANTERIORMENTE Y NO SERÁ APLICABLE DESPUÉS DE DICHO PERIODO NINGUNA GARANTÍA, YA SEA EXPLÍCITA O IMPLÍCITA.

ALGUNOS ESTADOS (O JURISDICCIONES) NO PERMITEN LIMITACIONES EN LA DURACIÓN DE UNA GARANTÍA IMPLÍCITA, POR LO QUE LA LIMITACIÓN ANTERIOR PUEDE NO SER APLICABLE EN SU CASO.

DELL NO ACEPTA RESPONSABILIDAD MÁS ALLÁ DE LAS COMPENSACIONES ESTABLECIDAS EN ESTA DECLARACIÓN DE GARANTÍA LIMITADA O RESPONSABILIDAD POR DAÑOS ACCIDENTALES O CONSECUENTES, INCLUYENDO, SIN LIMITACIÓN, CUALQUIER RESPONSABILIDAD POR PRODUCTOS NO DISPONIBLES PARA SU USO O POR PÉRDIDA DE DATOS O SOFTWARE.

ALGUNOS ESTADOS (O JURISDICCIONES) NO PERMITEN LA EXCLUSIÓN O LIMITACIÓN DE DAÑOS ACCIDENTALES O CONSECUENTES, POR LO QUE LA EXCLUSIÓN O LIMITACIÓN ANTERIOR PUEDE NO SER APLICABLE EN SU CASO.

Estas disposiciones se aplican sólo a la garantía limitada de un año de Dell. Para conocer las disposiciones de cualquier contrato de servicio que pueda cubrir su sistema, consulte la factura o el contrato de servicio independiente que reciba.

Si Dell decide intercambiar un producto o componente de un producto, el intercambio se realizará de acuerdo con la Política de intercambio de Dell en vigor en el momento del intercambio. En los casos en los que Dell proporciona un Número de autorización para devolución de material, Dell debe recibir los productos que se van a reparar antes de la fecha de vencimiento del periodo de garantía, para que la reparación quede cubierta por la garantía limitada.

Garantía limitada de un año (sólo para Canadá)

Dell Computer Corporation (“Dell”) fabrica sus productos de hardware a partir de piezas y componentes nuevos o equivalentes a nuevos, de acuerdo con las prácticas habituales en el sector. Dell garantiza que los productos de hardware que fabrica están libres de defectos tanto de materiales como de mano de obra. El plazo de garantía limitada es de un año contado desde la fecha de la factura, tal como se describe en el siguiente texto.

Los daños producidos durante el envío de los productos están cubiertos por esta garantía limitada. En cualquier otro caso, esta garantía limitada no cubre los daños producidos por causas externas, lo que incluye accidente, abuso, uso incorrecto, problemas con la alimentación eléctrica, asistencia técnica no autorizada por Dell, utilización no ajustada a las instrucciones del producto, inobservancia del mantenimiento preventivo necesario y problemas causados por el uso de piezas y componentes no suministrados por Dell.

Esta garantía limitada no cubre ninguno de los elementos comprendidos en una o más de las siguientes categorías: software, dispositivos externos (excepto los indicados específicamente); piezas o accesorios añadidos a un sistema Dell™ después de que el sistema haya sido entregado por Dell; accesorios o piezas añadidos a un sistema Dell a través de un departamento de integración de sistemas de Dell; accesorios o piezas no instalados en la fábrica de Dell o productos DellWare. Los monitores, teclados y ratones de la marca Dell o que estén incluidos en la lista de precios estándar de Dell quedan cubiertos por esta garantía limitada; los demás de monitores, teclados y ratones (incluidos aquellos que se venden a través del programa DellWare) no están cubiertos.

Dell reparará o sustituirá los productos cubiertos por esta garantía limitada que sean devueltos a Dell. Para solicitar asistencia en garantía, debe ponerse en contacto con la Asistencia técnica a clientes de Dell dentro del periodo de garantía. Consulte “Obtención de ayuda” en la *Guía del usuario* en línea para buscar información de contacto correcta de asistencia a clientes. Si necesita asistencia en garantía, Dell le proporcionará un Número de autorización para devolución de material. Debe enviar los productos a Dell en su embalaje original o uno equivalente, a portes pagados, y hacerles un seguro o aceptar el riesgo de pérdida o daños durante el envío. Dell devolverá los productos reparados o sustituidos a portes pagados, si el destino es una dirección de Canadá, donde sea aplicable. Los envíos a otras ubicaciones se realizarán a portes debidos.



NOTA: Antes de enviar los productos a Dell, haga una copia de seguridad de los datos de las unidades de disco duro y de cualquier otro dispositivo de almacenamiento en el producto o productos. Saque cualquier dispositivo extraíble, como disquetes, discos compactos o tarjetas PC.

Dell será propietaria de todas las piezas extraídas de los productos reparados. Dell utiliza piezas nuevas o reacondicionadas de diversos fabricantes al realizar reparaciones en garantía y al fabricar componentes de repuesto. Si Dell repara o sustituye un producto, la duración de su garantía no queda ampliada.

DELL NO HACE GARANTÍAS EXPRESAS NI CONDICIONES QUE VAYAN MÁS ALLÁ DE LAS ESTIPULADAS EN ESTA DECLARACIÓN DE GARANTÍA LIMITADA. DELL EXCLUYE TODAS LAS DEMÁS GARANTÍAS Y CONDICIONES EXPRESAS O IMPLÍCITAS, INCLUIDAS, ENTRE OTRAS, LAS GARANTÍAS IMPLÍCITAS Y CONDICIONES DE COMERCIABILIDAD E IDONEIDAD PARA UN PROPÓSITO EN PARTICULAR. ALGUNOS ESTADOS (O JURISDICCIONES) NO PERMITEN LIMITACIONES EN LAS GARANTÍAS IMPLÍCITAS O CONDICIONES, POR LO QUE LA LIMITACIÓN ANTERIOR PUEDE NO SER APLICABLE EN SU CASO.

LA RESPONSABILIDAD DE DELL POR FUNCIONAMIENTO INCORRECTO O DEFECTOS EN EL HARDWARE ESTÁ LIMITADA A LA REPARACIÓN O SUSTITUCIÓN, TAL COMO SE ESTABLECE EN ESTA DECLARACIÓN DE GARANTÍA LIMITADA. ESTAS GARANTÍAS LE OTORGAN DERECHOS LEGALES ESPECÍFICOS A LOS QUE PUEDEN SUMARSE OTROS DERECHOS, QUE PUEDEN VARIAR DE UN ESTADO A OTRO (O DE UNA JURISDICCIÓN A OTRA).

DELL NO ACEPTA RESPONSABILIDAD MÁS ALLÁ DE LAS COMPENSACIONES ESTABLECIDAS EN ESTA DECLARACIÓN DE GARANTÍA LIMITADA O RESPONSABILIDAD POR DAÑOS ACCIDENTALES O CONSECUENTES, INCLUYENDO, SIN LIMITACIÓN, CUALQUIER RESPONSABILIDAD POR PRODUCTOS NO DISPONIBLES PARA SU USO O POR PÉRDIDA DE DATOS O SOFTWARE.

ALGUNOS ESTADOS (O JURISDICCIONES) NO PERMITEN LA EXCLUSIÓN O LIMITACIÓN DE DAÑOS ACCIDENTALES O CONSECUENTES, POR LO QUE LA EXCLUSIÓN O LIMITACIÓN ANTERIOR PUEDE NO SER APLICABLE EN SU CASO.

Estas disposiciones se aplican sólo a la garantía limitada de un año de Dell. Para conocer las disposiciones de cualquier contrato de servicio que pueda cubrir su sistema, consulte la factura o el contrato de servicio independiente que reciba.

Si Dell decide intercambiar un producto o componente de un producto, el intercambio se realizará de acuerdo con la Política de intercambio de Dell en vigor en el momento del intercambio. En los casos en los que Dell proporciona un Número de autorización para devolución de material, Dell debe recibir los productos que se van a reparar antes de la fecha de vencimiento del periodo de garantía, para que la reparación quede cubierta por la garantía limitada.

Garantía de un año del fabricante para el usuario final (sólo para Latinoamérica y el área del Caribe)

Garantía

Dell Computer Corporation (“Dell”) garantiza al usuario final, de acuerdo con las provisiones siguientes, que los productos de hardware de marca, adquiridos por el usuario final a una empresa de Dell o a un distribuidor de Dell autorizado en Latinoamérica o el área del Caribe están libres de defectos en materiales, mano de obra y diseño que afecten a su utilización normal, por un período de un año desde la fecha original de la compra. Los productos sobre los que se hagan reclamaciones fundadas serán reparados o reemplazados, a discreción de Dell, sin coste para el usuario. Dell será propietaria de todas las piezas extraídas de los productos reparados. Dell utiliza piezas nuevas y reacondicionadas de diversos fabricantes para efectuar reparaciones y fabricar componentes de repuesto.

Exclusiones

Esta garantía no se aplica a defectos que son resultado de: instalación, uso o mantenimiento incorrectos o inadecuados; acciones o modificaciones por parte de terceras personas no autorizadas o del usuario final; daño accidental o voluntario o deterioro normal por el uso.

Hacer una reclamación

En Latinoamérica o el área del Caribe, para hacer reclamaciones se debe contactar con un punto de venta de Dell dentro del período que cubra la garantía. El usuario final debe proporcionar siempre la prueba de compra, indicando el nombre del vendedor, fecha de la compra, modelo y número de serie, nombre y dirección del cliente y los detalles de síntomas y configuración del mal funcionamiento, incluyendo los periféricos y el software utilizados. De lo contrario, Dell puede rehusar la reclamación de la garantía. Si se diagnostica un defecto cubierto por la garantía, Dell efectuará las reparaciones y pagará el flete terrestre, así como el seguro de ida y vuelta desde el centro de reparación o sustitución de Dell. El usuario final deberá asegurarse de que el producto defectuoso esté disponible para su recogida, adecuadamente acondicionado en el embalaje original u otro de las mismas características de protección junto con los detalles señalados anteriormente y el número de devolución suministrado por Dell al usuario final.

Derechos legales y limitación

Dell no ofrece ninguna otra garantía ni realiza declaración equivalente que no sean las establecidas más arriba y esta Garantía sustituye todas las otras garantías de cualquier manera, hasta el máximo permitido por la ley. En ausencia de legislación aplicable, esta Garantía será el único y exclusivo recurso del usuario final contra Dell o cualquiera de sus filiales, y ni Dell ni sus filiales se harán responsables de la pérdida de beneficios o contratos, ni de cualquier otro tipo de pérdida indirecta derivada de negligencia, incumplimiento del contrato o similar.

Esta garantía no supone menoscabo de, ni afecta a, los derechos legales preceptivos del usuario final frente a cualquier derecho derivado de otros contratos formalizados por el usuario final con Dell o cualquier otro vendedor.

Dell World Trade LP

One Dell Way, Round Rock, TX 78682, Estados Unidos

Dell Computadores do Brasil Ltda (CNPJ No. 72.381.189/0001-10)/**Dell Commercial do Brasil Ltda (CNPJ No. 03 405 822/0001-40)**

Avenida Industrial Belgraf, 400

92990-000 - Eldorado do Sul - RS - Brasil

Dell Computer de Chile Ltda

Coyancura 2283, Piso 3- Of.302,

Providencia, Santiago - Chile

Dell Computer de Colombia Corporation

Carrera 7 #115-33 Oficina 603

Bogotá, Colombia

Dell Computer de México SA de CV

Paseo de la Reforma 2620 - 11° Piso

Col. Lomas Altas

11950 México, D.F.

Garantía limitada de tres años (sólo EE.UU.)

Dell Computer Corporation (“Dell”) fabrica sus productos de hardware a partir de piezas y componentes nuevos o equivalentes a nuevos, de acuerdo con las prácticas habituales en el sector. Dell garantiza que los productos de hardware que fabrica están libres de defectos tanto de materiales como de mano de obra. El plazo de garantía limitada es de tres años contados desde la fecha de la factura, tal como se describe en el siguiente texto.

Los daños producidos durante el envío de los productos están cubiertos por esta garantía limitada. En cualquier otro caso, esta garantía limitada no cubre los daños producidos por causas externas, lo que incluye accidente, abuso, uso incorrecto, problemas con la alimentación eléctrica, asistencia técnica no autorizada por Dell, utilización no ajustada a las instrucciones del producto, inobservancia del mantenimiento preventivo necesario y problemas causados por el uso de piezas y componentes no suministrados por Dell.

Esta garantía limitada no cubre ninguno de los elementos comprendidos en una o más de las siguientes categorías: software, dispositivos externos (excepto los indicados específicamente), piezas o accesorios añadidos a un sistema Dell después de que el sistema haya sido entregado por Dell, piezas o accesorios añadidos a un sistema Dell a través de un departamento de integración de sistemas de Dell, piezas o accesorios no instalados en la fábrica de Dell o productos DellWare™. Los monitores, teclados y ratones de la marca Dell o que estén incluidos en la lista de precios estándar de Dell quedan cubiertos por esta garantía limitada; los demás de monitores, teclados y ratones (incluidos aquellos que se venden a través del programa DellWare) no están cubiertos. Las baterías de los ordenadores portátiles sólo están cubiertas durante el primer año de validez de esta garantía limitada.

Cobertura durante el primer año

Durante el periodo de un año que comienza con la fecha de la factura, Dell reparará o sustituirá los productos cubiertos por esta garantía limitada que sean devueltos a Dell. Para solicitar asistencia en garantía, debe ponerse en contacto con la Asistencia técnica a clientes de Dell dentro del periodo de garantía. Consulte “Obtención de ayuda” en la *Guía del usuario* en línea para buscar información de contacto correcta de asistencia a clientes. Si necesita asistencia en garantía, Dell le proporcionará un Número de autorización para devolución de material. Debe enviar los productos a Dell en su embalaje original o uno equivalente, a portes pagados, y hacerles un seguro o aceptar el riesgo de pérdida o daños durante el envío. Dell devolverá los productos reparados o sustituidos a portes pagados, si el destino es una dirección continental de EE.UU., donde sea aplicable. Los envíos a otras ubicaciones se realizarán a portes debidos.



NOTA: Antes de enviar los productos a Dell, haga una copia de seguridad de los datos de las unidades de disco duro y de cualquier otro dispositivo de almacenamiento en el producto o productos. Saque cualquier dispositivo extraíble, como disquetes, discos compactos o tarjetas PC. Dell no acepta ninguna responsabilidad por la pérdida de datos o de software.

Dell será propietaria de todas las piezas extraídas de los productos reparados. Dell utiliza piezas nuevas o reacondicionadas de diversos fabricantes al realizar reparaciones en garantía y al fabricar componentes de repuesto. Si Dell repara o sustituye un producto, la duración de su garantía no queda ampliada.

Cobertura durante el segundo y tercer año

Durante los años segundo y tercero de esta garantía limitada, Dell suministrará, sobre una base de intercambio y de acuerdo con la Política de intercambio de Dell en vigor en el momento del intercambio, piezas de repuesto para los productos de hardware de Dell cubiertos por esta garantía limitada, cuando una pieza deba ser sustituida. Debe informar sobre cada fallo del hardware a la Asistencia técnica a clientes de Dell antes de obtener la aprobación de Dell para la sustitución de una pieza y conseguir que Dell le envíe la pieza de repuesto. Dell enviará las piezas (a portes pagados) si el destino es una dirección continental de EE.UU., donde sea aplicable. Los envíos a otras ubicaciones se realizarán a portes debidos. Dell incluirá un contenedor de envío a portes pagados con cada pieza de repuesto para que sea utilizado en la devolución a Dell de la pieza sustituida. Las piezas de repuesto son nuevas o reacondicionadas. Dell puede proporcionar piezas de repuesto manufacturadas por diversos fabricantes al suministrarle piezas. El plazo de garantía para una pieza de repuesto es lo que reste del plazo de la garantía limitada.

Deberá pagar a Dell por las piezas de repuesto si la pieza sustituida no se devuelve a Dell. El proceso para devolver piezas de repuesto y su obligación de pagar las piezas de repuesto si no se devuelven a Dell las piezas sustituidas, estará de acuerdo con la Política de intercambio de Dell en vigor en el momento del intercambio.

Usted acepta la responsabilidad total sobre su software y sus datos. No será necesario que Dell le advierta o recuerde que debe realizar una copia de seguridad u otros procedimientos apropiados.

Provisiones generales

ESTA GARANTÍA LIMITADA LE OTORGA DERECHOS LEGALES ESPECÍFICOS A LOS QUE PUEDEN SUMARSE OTROS DERECHOS, QUE PUEDEN VARIAR DE UN ESTADO A OTRO (O DE UNA JURISDICCIÓN A OTRA). LA RESPONSABILIDAD DE DELL POR FUNCIONAMIENTO INCORRECTO O DEFECTOS EN EL HARDWARE ESTÁ LIMITADA A LA REPARACIÓN O SUSTITUCIÓN, TAL COMO SE ESTABLECE EN ESTA DECLARACIÓN DE GARANTÍA LIMITADA. TODAS LAS GARANTÍAS EXPLÍCITAS O IMPLÍCITAS PARA EL PRODUCTO, INCLUIDAS ENTRE OTRAS LAS GARANTÍAS IMPLÍCITAS Y CONDICIONES DE COMERCIABILIDAD E IDONEIDAD PARA UN PROPÓSITO EN PARTICULAR, ESTÁN LIMITADAS, EN CUANTO A DURACIÓN, AL PERIODO DE GARANTÍA ESTABLECIDO ANTERIORMENTE Y NO SERÁ APLICABLE DESPUÉS DE DICHO PERIODO NINGUNA GARANTÍA, YA SEA EXPLÍCITA O IMPLÍCITA.

ALGUNOS ESTADOS (O JURISDICCIONES) NO PERMITEN LIMITACIONES EN LA DURACIÓN DE UNA GARANTÍA IMPLÍCITA, POR LO QUE LA LIMITACIÓN ANTERIOR PUEDE NO SER APLICABLE EN SU CASO.

DELL NO ACEPTA RESPONSABILIDAD MÁS ALLÁ DE LAS COMPENSACIONES ESTABLECIDAS EN ESTA DECLARACIÓN DE GARANTÍA LIMITADA O RESPONSABILIDAD POR DAÑOS ACCIDENTALES O CONSECUENTES, INCLUYENDO, SIN LIMITACIÓN, CUALQUIER RESPONSABILIDAD POR PRODUCTOS NO DISPONIBLES PARA SU USO O POR PÉRDIDA DE DATOS O SOFTWARE.

ALGUNOS ESTADOS (O JURISDICCIONES) NO PERMITEN LA EXCLUSIÓN O LIMITACIÓN DE DAÑOS ACCIDENTALES O CONSECUENTES, POR LO QUE LA EXCLUSIÓN O LIMITACIÓN ANTERIOR PUEDE NO SER APLICABLE EN SU CASO.

Estas provisiones se aplican sólo a la garantía limitada de tres años de Dell. Para conocer las disposiciones de cualquier contrato de servicio que pueda cubrir su sistema, consulte la factura o el contrato de servicio independiente que reciba.

Si Dell decide intercambiar un sistema o componente, el intercambio se realizará de acuerdo con la Política de intercambio de Dell en vigor en el momento del intercambio. En los casos en los que Dell proporciona un Número de autorización para devolución de material, Dell debe recibir los productos que se van a reparar antes de la fecha de vencimiento del periodo de garantía, para que la reparación quede cubierta por la garantía limitada.

Garantía limitada de tres años (sólo Canadá)

Dell Computer Corporation (“Dell”) fabrica sus productos de hardware a partir de piezas y componentes nuevos o equivalentes a nuevos, de acuerdo con las prácticas habituales en el sector. Dell garantiza que los productos de hardware que fabrica están libres de defectos tanto de materiales como de mano de obra. El plazo de garantía es de tres años contados desde la fecha de la factura, tal como se describe en el siguiente texto.

Los daños producidos durante el envío de los productos están cubiertos por esta garantía limitada. En cualquier otro caso, esta garantía limitada no cubre los daños producidos por causas externas, lo que incluye accidente, abuso, uso incorrecto, problemas con la alimentación eléctrica, asistencia técnica no autorizada por Dell, utilización no ajustada a las instrucciones del producto, inobservancia del mantenimiento preventivo necesario y problemas causados por el uso de piezas y componentes no suministrados por Dell.

Esta garantía limitada no cubre ninguno de los elementos comprendidos en una o más de las siguientes categorías: software, dispositivos externos (excepto los indicados específicamente); piezas o accesorios añadidos a un sistema Dell™ después de que el sistema haya sido entregado por Dell; accesorios o piezas añadidos a un sistema Dell a través de un departamento de integración de sistemas de Dell; accesorios o piezas no instalados en la fábrica de Dell o productos DellWare. Los monitores, teclados y ratones de la marca Dell o que estén incluidos en la lista de precios estándar de Dell quedan cubiertos por esta garantía limitada; los demás de monitores, teclados y ratones (incluidos aquellos que se venden a través del programa DellWare) no están cubiertos. Las baterías de los ordenadores portátiles sólo están cubiertas durante el primer año de validez de esta garantía limitada.

Cobertura durante el primer año

Durante el periodo de un año que comienza con la fecha de la factura, Dell reparará o sustituirá los productos cubiertos por esta garantía limitada que sean devueltos a Dell. Para solicitar asistencia en garantía, debe ponerse en contacto con la Asistencia técnica a clientes de Dell dentro del periodo de garantía. Consulte “Obtención de ayuda” en la *Guía del usuario* en línea para buscar información de contacto correcta de asistencia a clientes.

Si necesita asistencia en garantía, Dell le proporcionará un Número de autorización para devolución de material. Debe enviar los productos a Dell en su embalaje original o uno equivalente, a portes pagados, y hacerles un seguro o aceptar el riesgo de pérdida o daños durante el envío. Dell devolverá los productos reparados o sustituidos a portes pagados, si el destino es una dirección de Canadá, donde sea aplicable. Los envíos a otras ubicaciones se realizarán a portes debidos.



NOTA: Antes de enviar los productos a Dell, haga una copia de seguridad de los datos de las unidades de disco duro y de cualquier otro dispositivo de almacenamiento en el producto o productos. Saque cualquier dispositivo extraíble, como disquetes, discos compactos o tarjetas PC. Dell no acepta ninguna responsabilidad por la pérdida de datos o de software.

Dell será propietaria de todas las piezas extraídas de los productos reparados. Dell utiliza piezas nuevas o reacondicionadas de diversos fabricantes al realizar reparaciones en garantía y al fabricar componentes de repuesto. Si Dell repara o sustituye un producto, la duración de su garantía no queda ampliada.

Cobertura durante el segundo y tercer año

Durante los años segundo y tercero de esta garantía limitada, Dell suministrará, sobre una base de intercambio y de acuerdo con la Política de intercambio de Dell en vigor en el momento del intercambio, piezas de repuesto para los productos de hardware de Dell cubiertos por esta garantía limitada, cuando una pieza deba ser sustituida. Debe informar sobre cada fallo del hardware a la Asistencia técnica a clientes de Dell antes de obtener la aprobación de Dell para la sustitución de una pieza y conseguir que Dell le envíe la pieza de repuesto. Dell enviará las piezas (a portes pagados) si el destino es una dirección de Canadá, donde sea aplicable. Los envíos a otras ubicaciones se realizarán a portes debidos. Dell incluirá un contenedor de envío a portes pagados con cada pieza de repuesto para que sea utilizado en la devolución a Dell de la pieza sustituida. Las piezas de repuesto son nuevas o reacondicionadas. Dell puede proporcionar piezas de repuesto manufacturadas por diversos fabricantes al suministrarle piezas. El plazo de garantía para una pieza de repuesto es lo que reste del plazo de la garantía limitada.

Deberá pagar a Dell por las piezas de repuesto si la pieza sustituida no se devuelve a Dell. El proceso para devolver piezas de repuesto y su obligación de pagar las piezas de repuesto si no se devuelven a Dell las piezas sustituidas, estará de acuerdo con la Política de intercambio de Dell en vigor en el momento del intercambio.

Usted acepta la responsabilidad total sobre su software y sus datos. No será necesario que Dell le advierta o recuerde que debe realizar una copia de seguridad u otros procedimientos apropiados.

Provisiones generales

DELL NO HACE GARANTÍAS EXPRESAS NI CONDICIONES QUE VAYAN MÁS ALLÁ DE LAS ESTIPULADAS EN ESTA DECLARACIÓN DE GARANTÍA LIMITADA. DELL EXCLUYE TODAS LAS DEMÁS GARANTÍAS Y CONDICIONES EXPRESAS O IMPLÍCITAS, INCLUIDAS, ENTRE OTRAS, LAS GARANTÍAS IMPLÍCITAS Y CONDICIONES DE COMERCIALIZACIÓN E IDONEIDAD PARA UN PROPÓSITO EN PARTICULAR. ALGUNOS ESTADOS (O JURISDICCIONES) NO PERMITEN LIMITACIONES EN LAS GARANTÍAS IMPLÍCITAS O CONDICIONES, POR LO QUE LA LIMITACIÓN ANTERIOR PUEDE NO SER APLICABLE EN SU CASO.

LA RESPONSABILIDAD DE DELL POR FUNCIONAMIENTO INCORRECTO O DEFECTOS EN EL HARDWARE ESTÁ LIMITADA A LA REPARACIÓN O SUSTITUCIÓN, TAL COMO SE ESTABLECE EN ESTA DECLARACIÓN DE GARANTÍA LIMITADA. ESTAS GARANTÍAS LE OTORGAN DERECHOS LEGALES ESPECÍFICOS A LOS QUE PUEDEN SUMARSE OTROS DERECHOS, QUE PUEDEN VARIAR DE UN ESTADO A OTRO (O DE UNA JURISDICCIÓN A OTRA).

DELL NO ACEPTA RESPONSABILIDAD MÁS ALLÁ DE LAS COMPENSACIONES ESTABLECIDAS EN ESTA DECLARACIÓN DE GARANTÍA LIMITADA O RESPONSABILIDAD POR DAÑOS ACCIDENTALES O CONSECUENTES, INCLUYENDO, SIN LIMITACIÓN, CUALQUIER RESPONSABILIDAD POR PRODUCTOS NO DISPONIBLES PARA SU USO O POR PÉRDIDA DE DATOS O SOFTWARE.

ALGUNOS ESTADOS (O JURISDICCIONES) NO PERMITEN LA EXCLUSIÓN O LIMITACIÓN DE DAÑOS ACCIDENTALES O CONSECUENTES, POR LO QUE LA EXCLUSIÓN O LIMITACIÓN ANTERIOR PUEDE NO SER APLICABLE EN SU CASO.

Estas provisiones se aplican sólo a la garantía limitada de tres años de Dell. Para conocer las disposiciones de cualquier contrato de servicio que pueda cubrir su sistema, consulte la factura o el contrato de servicio independiente que reciba.

Si Dell decide intercambiar un sistema o componente, el intercambio se realizará de acuerdo con la Política de intercambio de Dell en vigor en el momento del intercambio. En los casos en los que Dell proporciona un Número de autorización para devolución de material, Dell debe recibir los productos que se van a reparar antes de la fecha de vencimiento del periodo de garantía, para que la reparación quede cubierta por la garantía limitada.

Política de devolución “Satisfacción total” (sólo para EE.UU. y Canadá)

Si usted es un usuario final que compró productos nuevos directamente a una empresa de Dell, puede devolverlos a Dell en el plazo de 30 días desde la fecha de la factura para obtener un reembolso o un crédito por el precio de adquisición del producto. Si usted es un usuario final que compró productos reacondicionados o restaurados a una empresa de Dell, puede devolverlos a Dell en el plazo de 14 días desde la fecha de la factura para obtener un reembolso o un crédito por el precio de adquisición del producto. En ambos casos, el reembolso o crédito no incluirá los gastos de envío o manipulación que aparecen en la factura. Si usted representa a una organización que compró productos nuevos bajo un acuerdo por escrito con Dell, el acuerdo puede contener términos diferentes a los especificados en esta política para la devolución de productos.

Para devolver productos, debe ponerse en contacto con el Servicio a clientes de Dell para obtener un Número de autorización para devolución de crédito. Consulte “Obtención de ayuda” en la *Guía del usuario* en línea para buscar información de contacto correcta de asistencia a clientes. Para acelerar el proceso de reembolso o crédito, Dell espera que devuelva los productos a Dell en su embalaje original, en el plazo de cinco días a partir de la fecha en la que Dell proporcione el Número de autorización para devolución de crédito. Además debe pagar los portes y hacer un seguro o aceptar el riesgo de pérdida o daños durante el envío. Puede devolver software para obtener un reembolso o un crédito sólo si el paquete sellado que contiene los disquetes o los discos CD no ha sido abierto. Los productos devueltos deben encontrarse como nuevos, y todos los manuales, disquetes, discos compactos, cables de alimentación y cualesquiera otros elementos incluidos con un producto deben ser devueltos con él. Los clientes que deseen devolver software de aplicaciones o un sistema operativo instalados por Dell, sólo si desean obtener un reembolso o un crédito, deben devolver el sistema completo, además de cualquier dispositivo y documentación que estuvieran incluidos en el envío original.

Esta Política de devolución “Satisfacción total” no se aplica a los productos DellWare, los cuales pueden devolverse bajo la política de devolución de DellWare en vigor. Además, las piezas reacondicionadas adquiridas a través de Ventas de piezas de repuesto de Dell en Canadá no pueden ser devueltas.

Printed in Mexico.
Imprimé au Mexique.
Impresso no México.
Impreso en México.



05G287 A02

P/N 5G287 Rev. A02

